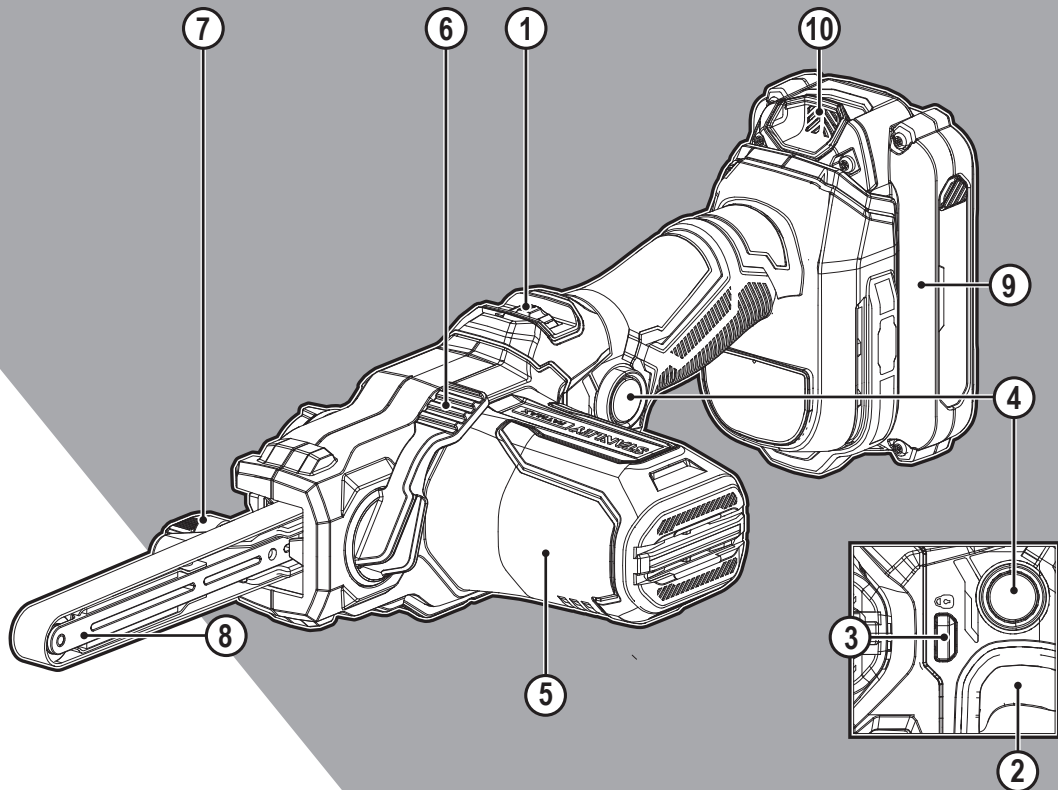


# STANLEY® FATMAX®

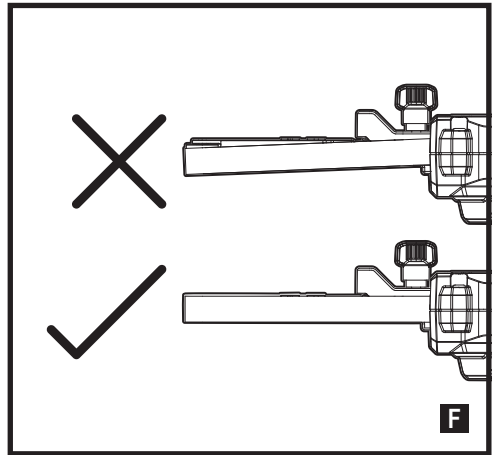
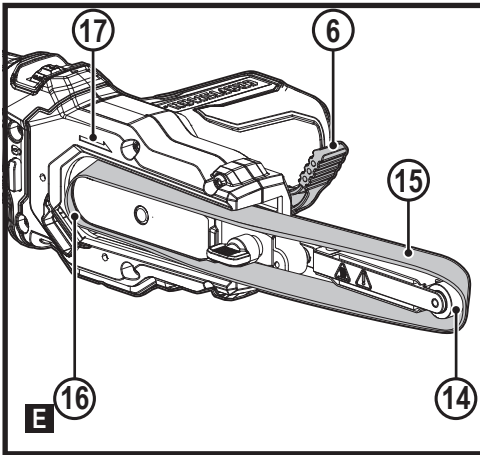
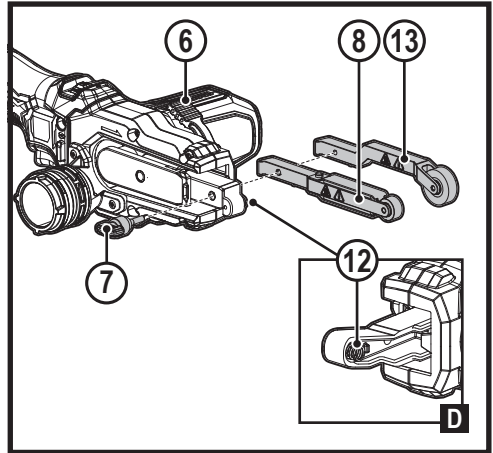
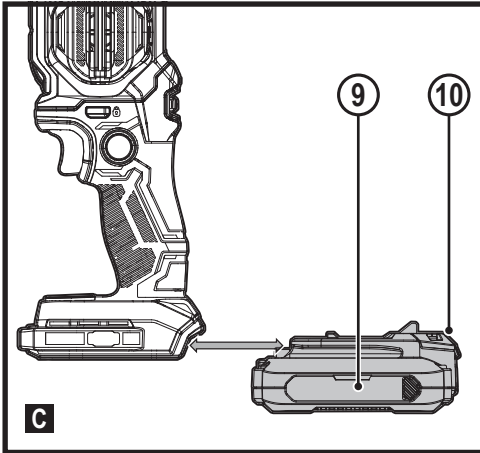
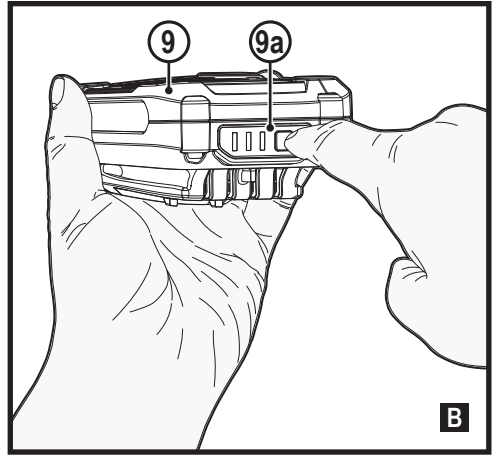
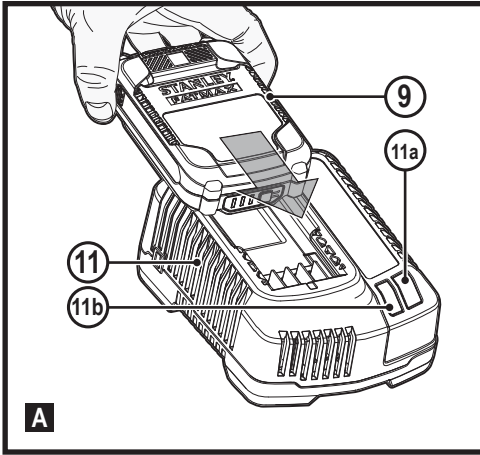
# V20 LITHIUM ION

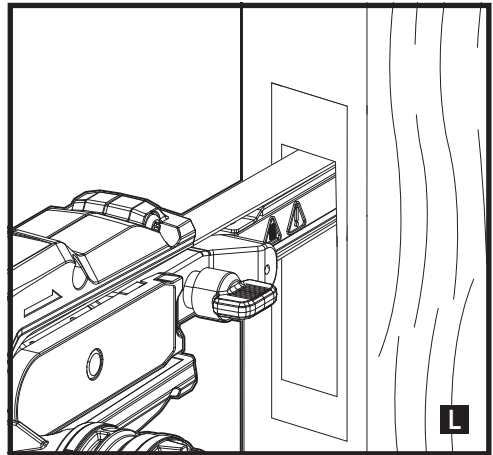
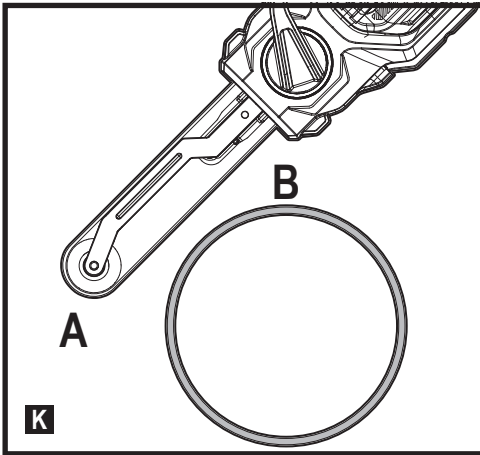
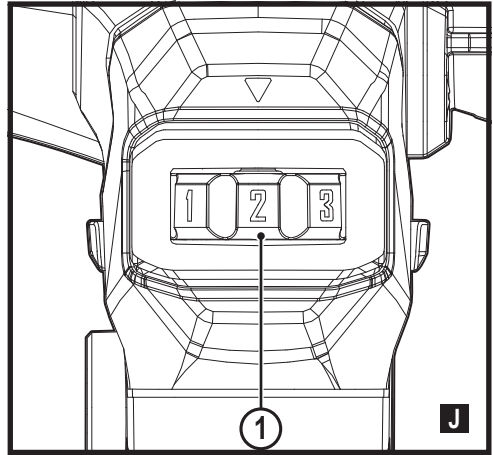
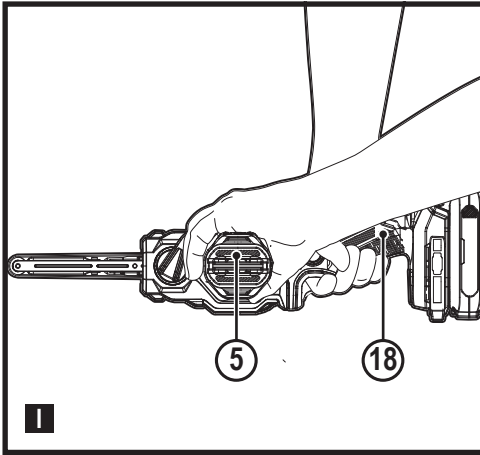
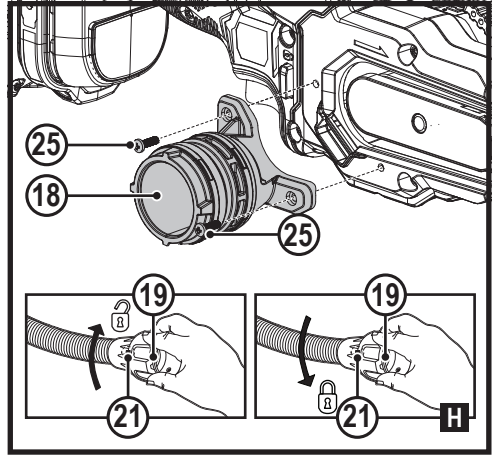
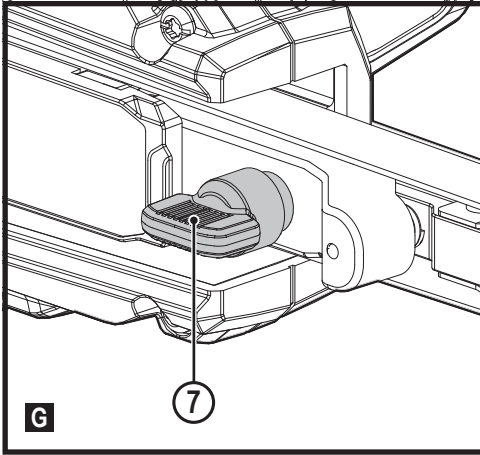


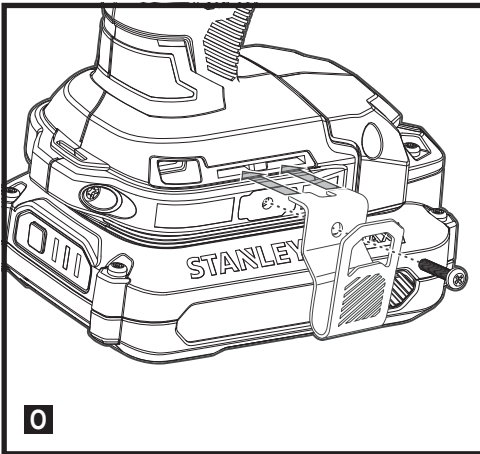
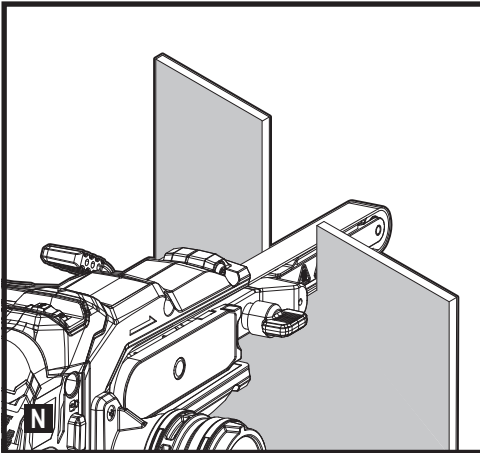
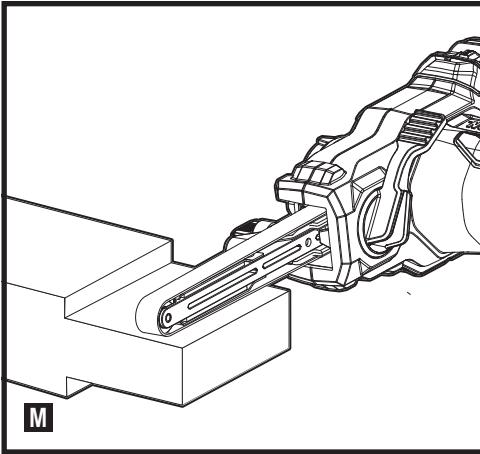
[www.stanleytools.com.au](http://www.stanleytools.com.au)  
[www.stanleytools.co.nz](http://www.stanleytools.co.nz)

SFMCE210









## Intended use

Your STANLEY FATMAX SFMCE210 Belt Sander Powerfile™ has been designed for sanding wood, metal, plastics and painted surfaces. This tool is intended for professional and private, non professional users.

## Safety instructions

### General power tool safety warnings



**Warning! Read all safety warnings, instructions, illustrations and specifications provided with this power tool.** Failure to follow all instructions listed below may result in electric shock, fire and/or serious injury.

### Save all warnings and instructions for future reference.

The term "power tool" in the warnings refers to your mains-operated (corded) power tool or battery-operated (cordless) power tool.

#### 1. Work area safety

- a. **Keep work area clean and well lit.** Cluttered or dark areas invite accidents.
- b. **Do not operate power tools in explosive atmospheres, such as in the presence of flammable liquids, gases or dust.** Power tools create sparks which may ignite the dust or fumes.
- c. **Keep children and bystanders away while operating a power tool.** Distractions can cause you to lose control.

#### 2. Electrical safety

- a. **Power tool plugs must match the outlet. Never modify the plug in any way.**  
Do not use any adapter plugs with earthed (grounded) power tools. Unmodified plugs and matching outlets will reduce risk of electric shock.
- b. **Avoid body contact with earthed or grounded surfaces such as pipes, radiators, ranges and refrigerators.** There is an increased risk of electric shock if your body is earthed or grounded.
- c. **Do not expose power tools to rain or wet conditions.** Water entering a power tool will increase the risk of electric shock.
- d. **Do not abuse the cord. Never use the cord for carrying, pulling or unplugging the power tool. Keep cord away from heat, oil, sharp edges or moving parts.** Damaged or entangled cords increase the risk of electric shock.
- e. **When operating a power tool outdoors, use an extension cord suitable for outdoor use.** Use of a cord suitable for outdoor use reduces the risk of electric shock.

- f. **If operating a power tool in a damp location is unavoidable, use a residual current device (RCD) protected supply.** Use of an RCD reduces the risk of electric shock.
3. **Personal safety**
- a. **Stay alert, watch what you are doing and use common sense when operating a power tool. Do not use a power tool while you are tired or under the influence of drugs, alcohol or medication.** A moment of inattention while operating power tools may result in serious personal injury.
- b. **Use personal protective equipment. Always wear eye protection.** Protective equipment such as a dust mask, non-skid safety shoes, hard hat, or hearing protection used for appropriate conditions will reduce personal injuries.
- c. **Prevent unintentional starting. Ensure the switch is in the off-position before connecting to power source and/or battery pack, picking up or carrying the tool.** Carrying power tools with your finger on the switch or energising power tools that have the switch on invites accidents.
- d. **Remove any adjusting key or wrench before turning the power tool on.** A wrench or a key left attached to a rotating part of the power tool may result in personal injury.
- e. **Do not overreach. Keep proper footing and balance at all times.** This enables better control of the power tool in unexpected situations.
- f. **Dress properly. Do not wear loose clothing or jewellery. Keep your hair, clothing away from moving parts.** Loose clothes, jewellery or long hair can be caught in moving parts.
- g. **If devices are provided for the connection of dust extraction and collection facilities, ensure these are connected and properly used.** Use of dust collection can reduce dust-related hazards.
- h. **Do not let familiarity gained from frequent use of tools allow you to become complacent and ignore tool safety principles.** A careless action can cause severe injury within a fraction of a second.
4. **Power tool use and care**
- a. **Do not force the power tool. Use the correct power tool for your application.**  
The correct power tool will do the job better and safer at the rate for which it was designed.
- b. **Do not use the power tool if the switch does not turn it on and off.** Any power tool that cannot be controlled with the switch is dangerous and must be repaired.
- c. **Disconnect the plug from the power source and/or remove the battery pack, if detachable, from the power tool before making any adjustments, changing accessories, or storing power tools.** Such preventive safety measures reduce the risk of starting the power tool accidentally.
- d. **Store idle power tools out of the reach of children and do not allow persons unfamiliar with the power tool or these instructions to operate the power tool.**  
Power tools are dangerous in the hands of untrained users.
- e. **Maintain power tools and accessories. Check for misalignment or binding of moving parts, breakage of parts and any other condition that may affect the power tool's operation. If damaged, have the power tool repaired before use.** Many accidents are caused by poorly maintained power tools.
- f. **Keep cutting tools sharp and clean.** Properly maintained cutting tools with sharp cutting edges are less likely to bind and are easier to control.
- g. **Use the power tool, accessories and tool bits etc. in accordance with these instructions, taking into account the working conditions and the work to be performed.** Use of the power tool for operations different from those intended could result in a hazardous situation.
- h. **Keep handles and grasping surfaces dry, clean and free from oil and grease.** Slippery handles and grasping surfaces do not allow for safe handling and control of the tool in unexpected situations.
5. **Battery tool use and care**
- a. **Recharge only with the charger specified by the manufacturer.** A charger that is suitable for one type of battery pack may create a risk of fire when used with another battery pack.
- b. **Use power tools only with specifically designated battery packs.** Use of any other battery packs may create a risk of injury and fire.
- c. **When battery pack is not in use, keep it away from other metal objects, like paper clips, coins, keys, nails, screws, or other small metal objects, that can make a connection from one terminal to another.**  
Shorting the battery terminals together may cause burns or a fire.
- d. **Under abusive conditions, liquid may be ejected from the battery; avoid contact. If contact accidentally occurs, flush with water. If liquid contacts eyes, additionally seek medical help.** Liquid ejected from the battery may cause irritation or burns.
- e. **Do not use a battery pack or tool that is damaged or modified.** Damaged or modified batteries may exhibit unpredictable behaviour resulting in fire, explosion or risk of injury.

- f. **Do not expose a battery pack or tool to fire or excessive temperature.** Exposure to fire or temperature above 130 °C may cause explosion.
- g. **Follow all charging instructions and do not charge the battery pack or tool outside the temperature range specified in the instructions.** Charging improperly or at temperatures outside the specified range may damage the battery and increase the risk of fire.

## 6. Service

- a. **Have your power tool serviced by a qualified repair person using only identical replacement parts.** This will ensure that the safety of the power tool is maintained.
- b. **Never service damaged battery packs.** Service of battery packs should only be performed by the manufacturer or authorized service providers.

## Additional power tool safety warnings



**Warning!** Warning! Additional safety warnings for belt sanders.

- ◆ Always use proper eye protection and a respirator when sanding.
- ◆ Use clamps or another practical way to secure and support the workpiece to a stable platform. Holding the workpiece by hand or against your body leaves it unstable and may lead to loss of control.
- ◆ Sanding of lead-based paint is not recommended. See Sanding Lead Based Paint for additional information before sanding paint.
- ◆ Clean your tool out periodically.
- ◆ Do not wet sand with this sander. Liquids may enter the motor housing and cause damage to the belt sander.
- ◆ Static shocks are possible in dry areas or when the relative humidity of the air is low. This is only temporary and does not affect the use of the belt sander. To reduce the frequency of static shocks, add moisture to the air with a console, or installed humidifier.
- ◆ Empty dust bag frequently, especially when sanding resin coated surfaces such as polyurethane, varnish, shellac, etc. Dispose of coated dust particles according to the finish manufacturer's guidelines, or place in a metal can with a tight-fitting metal lid. Remove coated dust particles from the premises daily. The accumulation of fine sanding dust particles may self ignite and cause fire.

**Warning!** Do not use dust bag or vacuum when sanding metal. Sparks could ignite flammable material inside.

**Warning!** Fire hazard. Collected sanding dust from sanding surface coatings (polyurethane, linseed oil, etc.) can self-ignite in sander dust bag or elsewhere and cause fire. To reduce risk, empty bag frequently and strictly follow sander manual and coating manufacturer's instructions.

**Warning!** Fire hazard. When sanding wood that could contain nails, or when sanding metal surfaces, do not use the dust bag or a vacuum cleaner because sparks are generated. Wear safety glasses and a dust mask. Due to the danger of fire, do not use your belt sander to sand magnesium surfaces. Do not use for wet sanding.

- ◆ Do not operate this tool for long periods of time. Vibration caused by the operating action of this tool may cause permanent injury to fingers, hands, and arms. Use gloves to provide extra cushion, take frequent rest periods, and limit daily time of use.
- ◆ Sanding of lead-based paint, chemically pressure treated lumber or other materials that may contain carcinogens is not recommended. Sanding of these materials should only be performed by a professional.
- ◆ ALWAYS disconnect tool from the power source before changing abrasive belts. Such preventive safety measures reduce the risk of starting the power tool accidentally.
- ◆ ALWAYS maintain a firm grip with both hands on the belt sander handles to prevent loss of control.
- ◆ ALWAYS keep fingers away from the moving belt and areas where the belt enters the housing to avoid severe abrasion.
- ◆ Do not operate belt sander without all guards and covers securely in place.
- ◆ To avoid injury, do not use this tool in a stand that would invert it for use as a stationary belt sander. This tool is not made for that application.

## Specific Safety Warnings and Instructions: Sanders Sanding Lead-Based Paint

Sanding of lead-based paint is NOT RECOMMENDED due to the difficulty of controlling the contaminated dust. The greatest danger of lead poisoning is to children and pregnant women. Since it is difficult to identify whether or not a paint contains lead without a chemical analysis, we recommend the following precautions when sanding any paint:

## Personal Safety

- ◆ No children or pregnant women should enter the work area where the paint sanding is being done until all clean-up is completed.
- ◆ A dust mask or respirator should be worn by all persons entering the work area. The filter should be replaced daily or whenever the wearer has difficulty breathing.

**Note:** Only those dust masks suitable for working with lead paint dust and fumes should be used. Ordinary painting masks do not offer this protection. See your local hardware dealer for the proper (NIOSH approved) mask.

- ◆ NO EATING, DRINKING or SMOKING should be done in the work area to prevent ingesting contaminated paint particles. Workers should wash and clean up BEFORE eating, drinking or smoking.



Articles of food, drink, or smoking should not be left in the work area where dust would settle on them.

**Environmental Safety**

- ◆ Paint should be removed in such a manner as to minimize the amount of dust generated.
- ◆ Areas where paint removal is occurring should be sealed with plastic sheeting of 4 mils thickness.
- ◆ Sanding should be done in a manner to reduce tracking of paint dust outside the work area.

**Cleaning and Disposal**

- ◆ All surfaces in the work area should be vacuumed and thoroughly cleaned daily for the duration of the sanding project. Vacuum filter bags should be changed frequently.
- ◆ Plastic drop cloths should be gathered up and disposed of along with any dust chips or other removal debris. They should be placed in sealed refuse receptacles and disposed of through regular trash pick-up procedures. During clean-up, children and pregnant women should be kept away from the immediate work area.
- ◆ All toys, washable furniture and utensils used by children should be washed thoroughly before being used again.

**Additional Safety Information**

**Warning!** Never modify the power tool or any part of it. Damage or personal injury could result.

**Warning!** ALWAYS use safety glasses. Everyday eyeglasses are NOT safety glasses. Also use face or dust mask if operation is dusty. ALWAYS WEAR CERTIFIED SAFETY EQUIPMENT.

**Warning!** Some dust created by power sanding, sawing, grinding, drilling, and other construction activities contains chemicals known to the State of California to cause cancer, birth defects or other reproductive harm. Some examples of these chemicals are:

- ◆ lead from lead-based paints,
- ◆ crystalline silica from bricks and cement and other masonry products, and
- ◆ arsenic and chromium from chemically-treated lumber.

Your risk from these exposures varies, depending on how often you do this type of work. To reduce your exposure to these chemicals: work in a well-ventilated area, and work with approved safety equipment, such as those dust masks that are specially designed to filter out microscopic particles.

- ◆ Wear protective clothing and wash exposed areas with soap and water. Allowing dust to get into your mouth, eyes, or lie on the skin may promote absorption of harmful chemicals. Direct particles away from face and body.

**Residual risks.**

Additional residual risks may arise when using the tool which may not be included in the enclosed safety warnings.

These risks can arise from misuse, prolonged use etc. Even with the application of the relevant safety regulations and the implementation of safety devices, certain residual risks can not be avoided. These include:

- ◆ Injuries caused by touching any rotating/moving parts.
- ◆ Injuries caused when changing any parts, blades or accessories.
- ◆ Injuries caused by prolonged use of a tool. When using any tool for prolonged periods ensure you take regular breaks.
- ◆ Impairment of hearing.
- ◆ Health hazards caused by breathing dust developed when using your tool (example:- working with wood, especially oak, beech and MDF.)

**Labels on tool**

The following pictograms are shown on the tool along with the date code:



**Warning!** To reduce the risk of injury, the user must read the instruction manual.



Wear ear protectors. Exposure to noise can cause hearing loss



Wear safety glasses or goggles



Wear a dust mask

**Additional safety instructions for batteries and chargers**

**Batteries (supplied separately)**

- ◆ Never attempt to open for any reason.
- ◆ Do not expose the battery to water.
- ◆ Do not store in locations where the temperature may exceed 40 °C.
- ◆ Charge only at ambient temperatures between 10 °C and 40 °C.
- ◆ Charge only using the charger provided with the tool.
- ◆ When disposing of batteries, follow the instructions given in the section "Protecting the environment".



Do not attempt to charge damaged batteries.

**Chargers (supplied separately)**

- ◆ Use your STANLEY FATMAX charger only to charge the battery in the tool with which it was supplied. Other batteries could burst, causing personal injury and damage.



- ◆ Never attempt to charge non-rechargeable batteries.
- ◆ Have defective cords replaced immediately.
- ◆ Do not expose the charger to water.
- ◆ Do not open the charger.
- ◆ Do not probe the charger.



The charger is intended for indoor use only.



Read the instruction manual before use.

## Electrical safety



Your charger is double insulated; therefore no earth wire is required. Always check that the mains voltage corresponds to the voltage on the rating plate. Never attempt to replace the charger unit with a regular mains plug.

- ◆ If the supply cord is damaged, it must be replaced by the manufacturer or an authorised STANLEY FATMAX Service Centre in order to avoid a hazard.

## Features

This tool includes some or all of the following features.

1. Variable speed wheel
2. Variable speed switch
3. Lock-off button
4. Lock-on button
5. Secondary handle
6. Belt tensioning lever
7. Belt tracking knob
8. Straight arm
9. Battery
10. Battery release

## Use

**Warning!** Let the tool work at its own pace.

Do not overload.

## Charging the battery (Fig. A)

The battery needs to be charged before first use and whenever it fails to produce sufficient power on jobs that were easily done before.

The battery may become warm while charging; this is normal and does not indicate a problem.

**Warning!** Do not charge the battery at ambient temperatures below 10 °C or above 40 °C. Recommended charging temperature: approx. 24 °C.




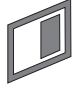


**Note:** The charger will not charge a battery if the cell temperature is below approximately 10 °C or above 40 °C.

The battery should be left in the charger and the charger will begin to charge automatically when the cell temperature warms up or cools down.

**Note:** To ensure maximum performance and life of lithium-ion battery packs, charge the battery pack fully before first use.

- ◆ Plug the charger (11) into an appropriate outlet before inserting battery pack (9).
- ◆ The green charging light (11a) will blink continuously indicating that the charging process has started.
- ◆ The completion of charge will be indicated by the green charging light (11a) remaining ON continuously. The battery pack (9) is fully charged and may be removed and used at this time or left in the charger (11).
- ◆ Charge discharged batteries within 1 week. Battery life will be greatly diminished if stored in a discharged state.

## Charger LED Modes

	<b>Charging:</b> Green LED Intermittent	
	<b>Fully Charged:</b> Green LED Solid	
	<b>Hot/Cold Pack Delay:</b> Green LED Intermittent Red LED Solid	

**Note:** The compatible charger(s) will not charge a faulty battery pack. The charger will indicate a faulty battery pack by refusing to light.

**Note:** This could also mean a problem with a charger. If the charger indicates a problem, take the charger and battery pack to be tested at an authorized service centre.

## Leaving the battery in the charger

The charger and battery pack can be left connected with the LED glowing indefinitely.

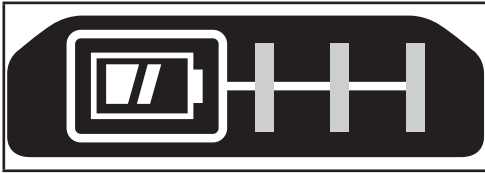
The charger will keep the battery pack fresh and fully charged.

## Hot/Cold Pack Delay

When the charger detects a battery that is too hot or too cold, it automatically starts a Hot/Cold Pack Delay, the green LED (11a) will flash intermittently, while the red LED (11b) will remain on continuously, suspending charging until the battery has reached an appropriate temperature. The charger then automatically switches to the pack charging mode. This feature ensures maximum battery life.

## Battery state of charge indicator (Fig. B)

The battery includes a state of charge indicator to quickly determine the extent of battery life as shown in figure B. By pressing the state of charge button (9a) you can easily view the charge remaining in the battery as illustrated in figure B.



## Installing and Removing the Battery Pack from the tool

**Warning!** Make certain the lock-off button is engaged to prevent switch actuation before removing or installing battery.

### To install battery pack (Fig. C)

- ◆ Insert battery pack firmly into tool until an audible click is heard as shown in figure C. Ensure battery pack is fully seated and fully latched into position.

### To remove battery pack (Fig. C)

- ◆ Depress the battery release button (10) as shown in figure C and pull battery pack out of tool.

## Belt hook (Optional extra) (Fig. O)

**Warning!** To reduce the risk of serious personal injury, place the forward/reverse button in the lock-off position or turn tool off and disconnect battery pack before making any adjustments or removing/installing attachments or accessories.

An accidental start-up can cause injury.

**Warning!** To reduce the risk of serious personal injury, ONLY use the tool's belt hook to hang the tool from a work belt. DO NOT use the belt hook for tethering or securing the tool to a person or object during use. DO NOT suspend tool overhead or suspend objects from the belt hook.

**Warning!** To reduce the risk of serious personal injury, ensure the screw holding the belt hook is secure.

**Note:** When attaching or replacing the belt hook, use only the screw that is provided.

Be sure to securely tighten the screw.

The belt hook can only be attached to the right side of the tool as the left side contains the motor housing. If the hook is not desired at all, it can be removed from the tool.

Be sure to securely tighten the screw.

**Note:** Various trackwall hooks and storage configurations are available.

Please visit our website [www.stanley.eu/3](http://www.stanley.eu/3) for further information.

## assembly and adjustments

**Warning!** To reduce the risk of serious personal injury, turn unit off and remove the battery pack before making any adjustments or removing/installing attachments or accessories. An accidental start-up can cause injury.

## Fitting and Removing Sanding Arms (Fig. D)

Before first use, you must fit a sanding arm to the tool. Your tool is supplied with the following:

- ◆ A straight arm (8) (sanding width 13 mm).

These parts are also available as an accessory from your STANLEY FATMAX dealer.

### Fitting

- ◆ Make sure that the belt tensioning lever (6) is in the position shown.
- ◆ Loosen and remove the belt tracking knob (7).
- ◆ Check that the spring (12) is located in its mounting hole.
- ◆ Position the arm (8) or (13) as shown.
- ◆ Fit the belt tracking knob and tighten it until the arm is aligned with the tool.

### Removing

- ◆ Remove the sanding belt (15) (if present) as described below.
- ◆ Loosen and remove the belt tracking knob (7).
- ◆ Remove the arm (8) or (13).

**Warning!** Be careful not to lose the spring.

## Fitting and Removing Sanding Belts (Fig. E, F)

**Warning!** The spring must be fitted. Be careful not to lose the spring.

### Fitting

- ◆ Move the belt tensioning lever (6) to the front position.
- ◆ Make sure that the arrows on the inside of the sanding belt (15) face the same direction as the arrow (17) on the housing.
- ◆ Place the sanding belt over the rear pulley (16) in first, the belt should be over the plastic cover, then hook the other side over the front pulley (14).
- ◆ Move the belt tensioning lever to the rear position.
- ◆ Adjust the belt tracking as described below.

### Removing

- ◆ Move the belt tensioning lever (6) to the front position.
- ◆ Slide the sanding belt (15) off the pulleys.

## Adjusting the Sanding Belt Tracking (Fig. G)

- ◆ Switch the tool on and do a trial run at low speed.
- ◆ Turn the belt tracking knob (7) clockwise to move belt to right, or counterclockwise move belt to left until the sanding belt runs straight along the length of the arm.

## Dust Extraction (Fig. H)

**Warning!** Risk of dust inhalation. To reduce the risk of personal injury, ALWAYS wear an approved dust mask.

**Warning!** Collected sanding dust from sanding surface coatings (polyurethane, linseed oil, etc.) can self ignite in sander dust bag or elsewhere and cause fire. To reduce risk, empty bag frequently and strictly follow sander manual and coating manufacturer's instructions.

A dust extraction port (18) is supplied with your tool.

The dust extraction port allows you to connect the tool to an external dust extractor, either using the AirLock™ system, or a standard 32 mm dust extractor fitment.

### To Install Dust Extraction Port

- ◆ Align the dust extraction port (18) with the two screw holes as shown in Fig. H.
- ◆ Insert both screws (25) and tighten securely.

### Attaching an AirLock™ Compatible Dust Extractor (Fig. H)

Your belt sander is compatible with the STANLEY FATMAX AirLock™ connection system. The AirLock™ allows for a fast, secure connection between the AirLock™ connector (19) and sander's dust extraction port (18).

- ◆ Ensure the collar on the AirLock™ connector is in the unlock position. (Refer to Figure H.) Align notches (21) on collar and AirLock™ connector as shown for unlock and lock positions.
- ◆ Push the AirLock™ connector onto the adapter connector point.
- ◆ Rotate the collar to the locked position.

**Note:** The ball bearings inside collar lock into slot and secure the connection. The power tool is now securely connected to the dust extractor.

### Operation

**Warning!** To reduce the risk of serious personal injury, turn unit off and remove the battery pack before making any adjustments or removing/installing attachments or accessories. An accidental start-up can cause injury.

### Proper Hand Position (Fig. I)

**Warning!** To reduce the risk of serious personal injury, Always use proper hand position as shown.

**Warning!** To reduce the risk of serious personal injury, always hold securely in anticipation of a sudden reaction.

Proper hand position requires one hand on the main handle (18) and one hand on the secondary handle (5).

### Variable Speed Wheel (Fig. J)

The variable speed wheel (1) allows you to adapt the speed of the tool to the workpiece material.

Use a low speed setting when using a fine grit, when working with plastics or ceramics and when removing painted or varnished surfaces.

Use a high speed setting when using a coarse grit and when removing a lot of material.

- ◆ Set the variable speed control wheel (1) to the required setting.

### Switching On and Off

- ◆ To switch the tool on, press the variable speed switch (2).
- ◆ To switch the tool off, release the variable speed switch .

For continuous operation:

- ◆ Press the variable speed switch (2).
- ◆ Press the lock-on button (4).
- ◆ Release the variable speed switch.
- ◆ To switch the tool off when in continuous operation, press and release variable speed switch.

### Lock-off Button

**Warning!** To prevent accidental start-up, this tool is equipped with a Lock-off button.

- ◆ To lock the tool, depress the lock-off button (3) to the locked position. When the lock-off button is in the locked position, the tool is locked and the variable speed switch (2) cannot be pulled.
- ◆ To unlock the tool, depress the lock-off button (3) to the unlocked position.

### Special Applications (Fig. K - 0)

**Warning!** To reduce the risk of fire or serious injury, avoid sanding ignitable materials such as aluminum and magnesium.

**Warning!** Do not allow bystanders in front of the tool while in operation as there may be a risk of the sanding belt breaking and dislodging from the arm.

### Offset Arm (Fig. K)

#### Where Supplied

- ◆ Use section A for general sanding and in confined areas.
- ◆ Use section B for curved surfaces.

### Straight Arm (Fig. L - 0)

- ◆ Use the normal or narrow arms for general use, for slotting and for making joints.

### Hints for Optimum Use

- ◆ Always hold the tool with both hands.
- ◆ Do not exert too much pressure on the tool.
- ◆ Regularly check the condition of the sanding belt (15). Replace when necessary.
- ◆ Always sand with the grain of the wood.
- ◆ When sanding new layers of paint before applying another layer, use extra fine grit.
- ◆ Consult your retailer for more information on available accessories.

## Accessories

This product include:  
 Straight arm X 1  
 Offset arm X 1  
 Dust extraction port X 1  
 Sanding belt 80/120/240 grit

## Maintenance

Your STANLEY FATMAX corded/cordless appliance/tool has been designed to operate over a long period of time with a minimum of maintenance. Continuous satisfactory operation depends upon proper tool care and regular cleaning.

**Warning!** Before performing any maintenance on corded/cordless power tools:

- ◆ Switch off and unplug the appliance/tool.
- ◆ Or switch off and remove the battery from the appliance/tool if the appliance/tool has a separate battery pack.
- ◆ Or run the battery down completely if it is integral and then switch off.
- ◆ Regularly clean the ventilation slots in your appliance/tool/charger using a soft brush or dry cloth.
- ◆ Regularly clean the motor housing using a damp cloth. Do not use any abrasive or solvent-based cleaner.

## Mains plug replacement (U.K. & Ireland only)

If a new mains plug needs to be fitted:

- ◆ Safely dispose of the old plug.
- ◆ Connect the brown lead to the live terminal in the new plug.
- ◆ Connect the blue lead to the neutral terminal.

**Warning!** No connection is to be made to the earth terminal. Follow the fitting instructions supplied with good quality plugs. Recommended fuse: 5 A.

## Protecting the environment



Separate collection. Products and batteries marked with this symbol must not be disposed of with normal household waste.

Products and batteries contain materials that can be recovered or recycled reducing the demand for raw materials. Please recycle electrical products and batteries according to local provisions. Further information is available at [www.2helpU.com](http://www.2helpU.com).

## Technical data

		SFMCE210
Voltage	V <sub>DC</sub>	18V
No-load speed	min <sup>-1</sup>	1204m/min
Weight	kg	1.15

Charger		SFMCB11	SFMCB12	SFMCB14
Input Voltage	V <sub>AC</sub>	230	230	230
Output Voltage	V <sub>DC</sub>	18	18	18
Current	A	1.25	2	4

Battery		SFMCB201	SFMCB202	SFMCB204	SFMCB206
Voltage	V <sub>DC</sub>	18	18	18	18
Capacity	Ah	1.5	2.0	4.0	6.0
Type		Li-Ion	Li-Ion	Li-Ion	Li-Ion

### Level of sound pressure according to EN62841:

Sound pressure (L<sub>pa</sub>) 73 dB(A), uncertainty (K) 3 dB(A)

Sound power (L<sub>wa</sub>) 81 dB(A), uncertainty (K) 3 dB(A)

### Vibration total values (triax vector sum) according to EN62841:

Vibration emission value a<sub>v</sub> <2.5 m/s<sup>2</sup> K = 1,5 m/s<sup>2</sup>

## EC declaration of conformity

MACHINERY DIRECTIVE



Belt Sander Powerfile - SFMCE210

Stanley Europe declares that these products described under "technical data" are in compliance with:  
 2006/42/EC, EN 62841-1:2015 + AC:2015 + A11:2022; EN 62841-2-4:2014 + AC:2015;

These products also comply with Directive 2014/30/EU and 2011/65/EU. For more information, please contact Stanley Europe at the following address or refer to the back of the manual.

The undersigned is responsible for compilation of the technical file and makes this declaration on behalf of STANLEY FATMAX.

*Patrick Diepenbach*

Patrick Diepenbach  
 General Manager, Benelux  
 Stanley FatMax,  
 Egide Walschaertsstraat 14-18  
 2800 Mechelen, Belgium  
 05/06/2023









*Australia & New Zealand*

*Stanley Black & Decker*

*www.stanleytools.com.au*

*www.stanleytools.co.nz*

*Tel. 1800 338 002 (Aust) or Tel. 0800 339 258 (NZ)*

*810 Whitehorse Road Box Hill VIC 3128, Australia*