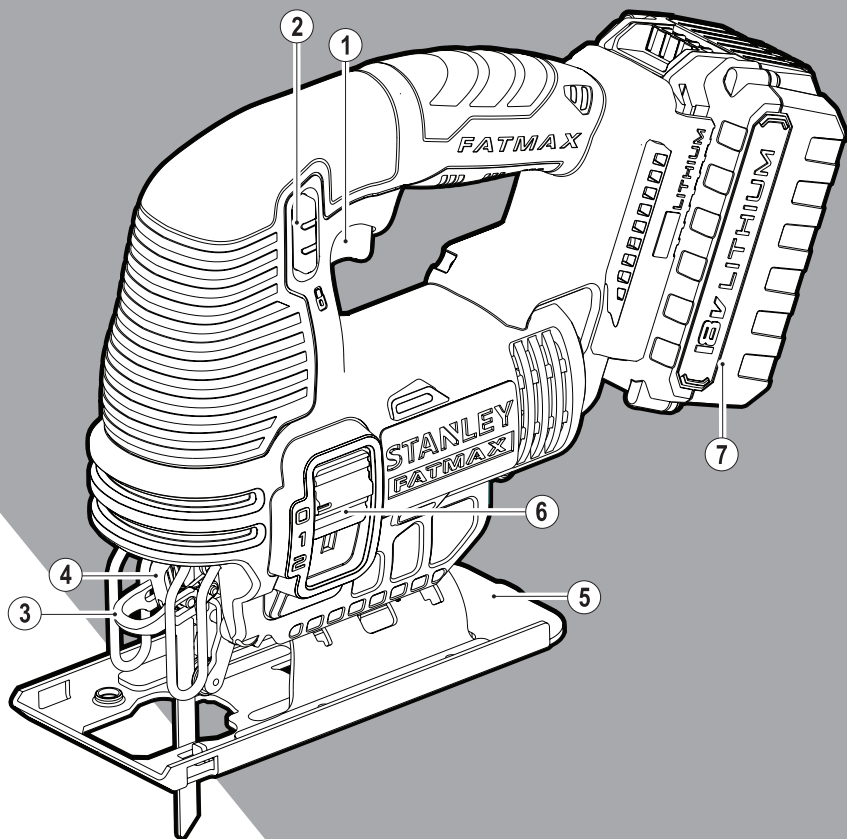


# STANLEY<sup>®</sup>

## FATMAX<sup>®</sup>



[www.stanley.eu](http://www.stanley.eu)

FMC650

EN

DE

FR

IT

NL

ES

PT

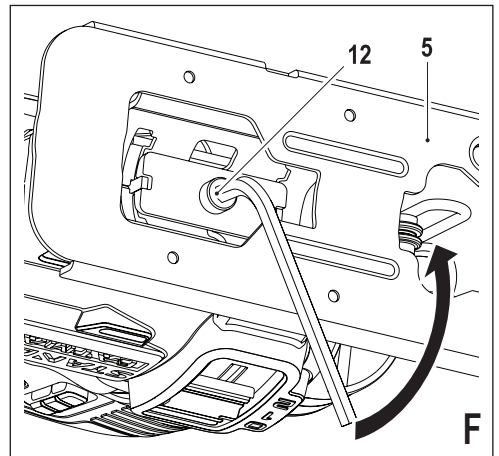
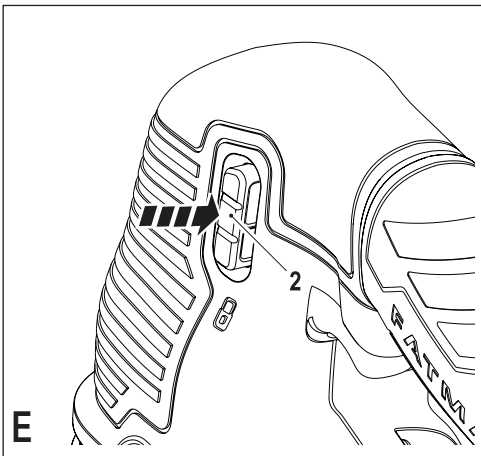
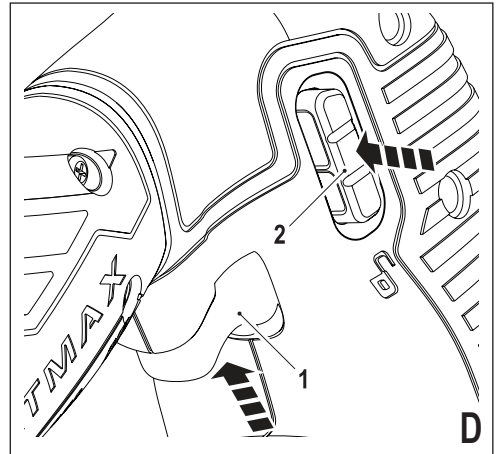
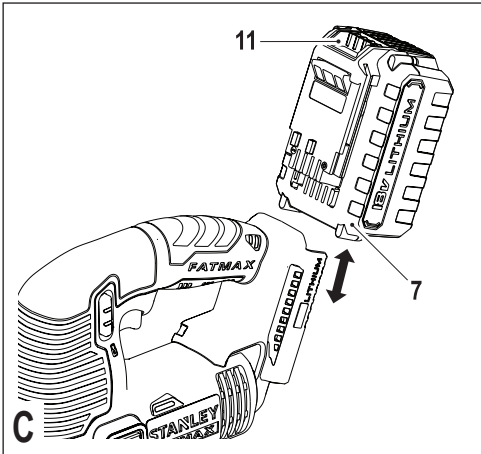
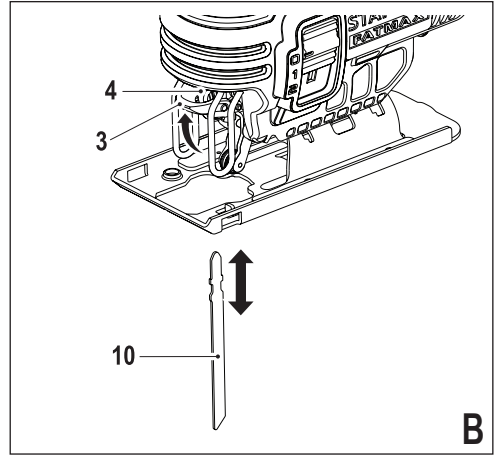
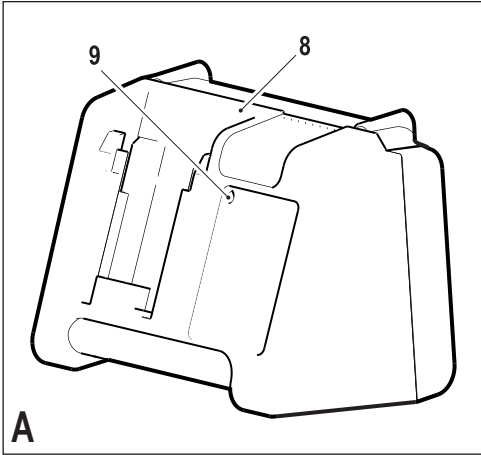
SV

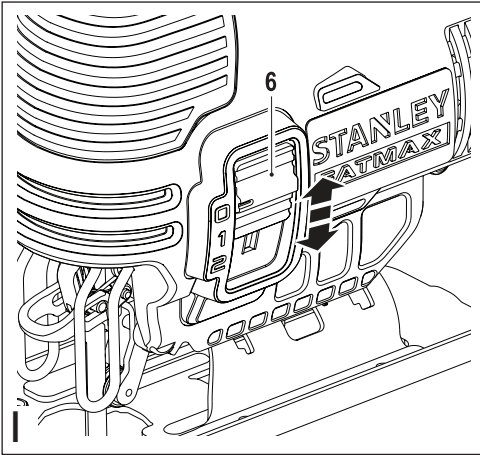
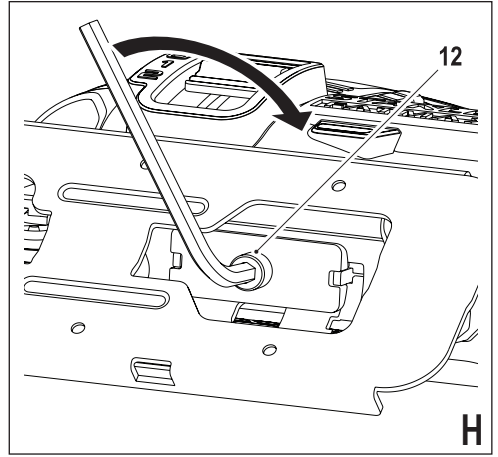
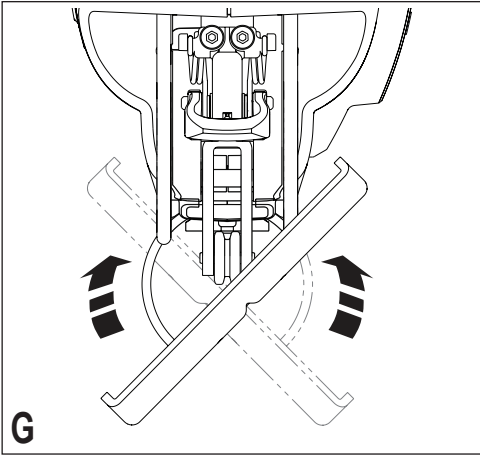
NO

DK

FI

EL





## Intended use

Your Stanley Fat Max jigsaw has been designed for sawing wood, plastics and sheet metal. This tool is intended for professional and private, non professional users.

## Safety instructions

### General power tool safety warnings



**Warning!** Read all safety warnings and all instructions. Failure to follow the warnings and instructions listed below may result in electric shock, fire and/or serious injury.

### Save all warnings and instructions for future reference.

The term "power tool" in all of the warnings listed below refers to your mains operated (corded) power tool or battery operated (cordless) power tool.

#### 1. Work area safety

- a. **Keep work area clean and well lit.** Cluttered or dark areas invite accidents.
- b. **Do not operate power tools in explosive atmospheres, such as in the presence of flammable liquids, gases or dust.** Power tools create sparks which may ignite the dust or fumes.
- c. **Keep children and bystanders away while operating a power tool.** Distractions can cause you to lose control.

#### 2. Electrical safety

- a. **Power tool plugs must match the outlet. Never modify the plug in any way. Do not use any adapter plugs with earthed (grounded) power tools.** Unmodified plugs and matching outlets will reduce risk of electric shock.
- b. **Avoid body contact with earthed or grounded surfaces such as pipes, radiators, ranges and refrigerators.** There is an increased risk of electric shock if your body is earthed or grounded.
- c. **Do not expose power tools to rain or wet conditions.** Water entering a power tool will increase the risk of electric shock.
- d. **Do not abuse the cord. Never use the cord for carrying, pulling or unplugging the power tool. Keep cord away from heat, oil, sharp edges or moving parts.** Damaged or entangled cords increase the risk of electric shock.
- e. **When operating a power tool outdoors, use an extension cord suitable for outdoor use.** Use of a cord suitable for outdoor use reduces the risk of electric shock.
- f. **If operating a power tool in a damp location is unavoidable, use a residual current device (RCD) protected supply.** Use of an RCD reduces the risk of electric shock.

#### 3. Personal safety

- a. **Stay alert, watch what you are doing and use common sense when operating a power tool. Do not use a power tool while you are tired or under the influence of drugs, alcohol or medication.** A moment of inattention while operating power tools may result in serious personal injury.
- b. **Use personal protective equipment. Always wear eye protection.** Protective equipment such as dust mask, non-skid safety shoes, hard hat, or hearing protection used for appropriate conditions will reduce personal injuries.
- c. **Prevent unintentional starting. Ensure the switch is in the off-position before connecting to power source and/or battery pack, picking up or carrying the tool.** Carrying power tools with your finger on the switch or energising power tools that have the switch on invites accidents.
- d. **Remove any adjusting key or wrench before turning the power tool on.** A wrench or a key left attached to a rotating part of the power tool may result in personal injury.
- e. **Do not overreach. Keep proper footing and balance at all times.** This enables better control of the power tool in unexpected situations.
- f. **Dress properly. Do not wear loose clothing or jewellery. Keep your hair, clothing and gloves away from moving parts.** Loose clothes, jewellery or long hair can be caught in moving parts.
- g. **If devices are provided for the connection of dust extraction and collection facilities, ensure these are connected and properly used.** Use of dust collection can reduce dust-related hazards.

#### 4. Power tool use and care

- a. **Do not force the power tool. Use the correct power tool for your application.** The correct power tool will do the job better and safer at the rate for which it was designed.
- b. **Do not use the power tool if the switch does not turn it on and off.** Any power tool that cannot be controlled with the switch is dangerous and must be repaired.
- c. **Disconnect the plug from the power source and/or the battery pack from the power tool before making any adjustments, changing accessories, or storing power tools.** Such preventive safety measures reduce the risk of starting the power tool accidentally.
- d. **Store idle power tools out of the reach of children and do not allow persons unfamiliar with the power tool or these instructions to operate the power tool.** Power tools are dangerous in the hands of untrained users.

- e. **Maintain power tools. Check for misalignment or binding of moving parts, breakage of parts and any other condition that may affect the power tools operation. If damaged, have the power tool repaired before use.** Many accidents are caused by poorly maintained power tools.
  - f. **Keep cutting tools sharp and clean.** Properly maintained cutting tools with sharp cutting edges are less likely to bind and are easier to control.
  - g. **Use the power tool, accessories and tool bits etc. in accordance with these instructions, taking into account the working conditions and the work to be performed.** Use of the power tool for operations different from those intended could result in a hazardous situation.
5. **Battery tool use and care**
- a. **Recharge only with the charger specified by the manufacturer.** A charger that is suitable for one type of battery pack may create a risk of fire when used with another battery pack.
  - b. **Use power tools only with specifically designated battery packs.** Use of any other battery packs may create a risk of injury and fire.
  - c. **When battery pack is not in use, keep it away from other metal objects, like paper clips, coins, keys, nails, screws, or other small metal objects, that can make a connection from one terminal to another.** Shorting the battery terminals together may cause burns or a fire.
  - d. **Under abusive conditions, liquid may be ejected from the battery; avoid contact. If contact accidentally occurs, flush with water. If liquid contacts eyes, additionally seek medical help.** Liquid ejected from the battery may cause irritation or burns.
6. **Service**
- a. **Have your power tool serviced by a qualified repair person using only identical replacement parts.** This will ensure that the safety of the power tool is maintained.

### Additional power tool safety warnings



**Warning!** Additional safety warnings for jigsaws and reciprocating saws

- ◆ **Hold power tool by insulated gripping surfaces, when performing an operation where the cutting accessory may contact hidden wiring.** Cutting accessory contacting a "live" wire may make exposed metal parts of the power tool "live" and could give the operator an electric shock.

- ◆ **Use clamps or another practical way to secure and support the workpiece to a stable platform.** Holding the work by hand or against your body leaves it unstable and may lead to loss of control.
- ◆ **Keep hands away from cutting area.** Never reach underneath the work piece any reason. Do not insert fingers or thumb into the vicinity of the reciprocating blade and blade clamp. Do not stabilize the saw by gripping the shoe.
- ◆ **Keep blades sharp.** Dull or damaged blades may cause the saw to swerve or stall under pressure. Always use the appropriate type of saw blade for the workpiece material and type of cut.
- ◆ **When cutting pipe or conduit, make sure that they are free from water, electrical wiring, etc.**
- ◆ **Do not touch the workpiece or the blade immediately after operating the tool.** They can become very hot.
- ◆ **Be aware of hidden hazards, before cutting into walls, floors or ceilings, check for the location of wiring and pipes.**
- ◆ **The blade will continue to move after releasing the switch.** Always switch the tool off and wait for the saw blade to come to a complete standstill before putting the tool down.

**Warning!** Contact with, or inhalation of dusts arising from cutting applications may endanger the health of the operator and possible bystanders. Wear a dust mask specifically designed for protection against dust and fumes and ensure that persons within or entering the work area are also protected.

- ◆ The intended use is described in this instruction manual. The use of any accessory or attachment or performance of any operation with this tool other than those recommended in this instruction manual may present a risk of personal injury and/or damage to property.

### Safety of others

- ◆ This tool is not intended for use by persons (including children) with reduced physical, sensory or mental capabilities, or lack of experience and knowledge, unless they have been given supervision or instruction concerning use of the appliance by a person responsible for their safety.
- ◆ Children should be supervised to ensure that they do not play with the appliance.

### Residual risks.

Additional residual risks may arise when using the tool which may not be included in the enclosed safety warnings. These risks can arise from misuse, prolonged use etc.

Even with the application of the relevant safety regulations and the implementation of safety devices, certain residual risks can not be avoided. These include:

- ◆ Injuries caused by touching any rotating/moving parts.

- ◆ Injuries caused when changing any parts, blades or accessories.
- ◆ Injuries caused by prolonged use of a tool. When using any tool for prolonged periods ensure you take regular breaks.
- ◆ Impairment of hearing.
- ◆ Health hazards caused by breathing dust developed when using your tool (example:- working with wood, especially oak, beech and MDF.)

### Vibration

The declared vibration emission values stated in the technical data and the declaration of conformity have been measured in accordance with a standard test method provided by EN 60745 and may be used for comparing one tool with another. The declared vibration emission value may also be used in a preliminary assessment of exposure.

**Warning!** The vibration emission value during actual use of the power tool can differ from the declared value depending on the ways in which the tool is used. The vibration level may increase above the level stated.

When assessing vibration exposure to determine safety measures required by 2002/44/EC to protect persons regularly using power tools in employment, an estimation of vibration exposure should consider, the actual conditions of use and the way the tool is used, including taking account of all parts of the operating cycle such as the times when the tool is switched off and when it is running idle in addition to the trigger time.

### Labels on tool

The following symbols are shown on the tool:



**Warning!** To reduce the risk of injury, the user must read the instruction manual.

### Additional safety instructions for batteries and chargers

#### Batteries

- ◆ Never attempt to open for any reason.
- ◆ Do not expose the battery to water.
- ◆ Do not store in locations where the temperature may exceed 40 °C.
- ◆ Charge only at ambient temperatures between 10 °C and 40 °C.
- ◆ Charge only using the charger provided with the tool.
- ◆ When disposing of batteries, follow the instructions given in the section "Protecting the environment".



**Do not attempt to charge damaged batteries.**

### Chargers

- ◆ Use your Stanley Fatmax charger only to charge the battery in the tool with which it was supplied. Other batteries could burst, causing personal injury and damage.
- ◆ Never attempt to charge non-rechargeable batteries.
- ◆ Have defective cords replaced immediately.
- ◆ Do not expose the charger to water.
- ◆ Do not open the charger.
- ◆ Do not probe the charger.



The charger is intended for indoor use only.



Read the instruction manual before use.

### Electrical safety



Your charger is double insulated; therefore no earth wire is required. Always check that the mains voltage corresponds to the voltage on the rating plate. Never attempt to replace the charger unit with a regular mains plug.

- ◆ If the supply cord is damaged, it must be replaced by the manufacturer or an authorised Stanley Fat Max Service Centre in order to avoid a hazard.

### Features

This tool includes some or all of the following features.

1. Variable speed trigger switch
2. Lock-off button
3. Saw blade locking lever
4. Blade clamp
5. Shoe plate
6. Cutting action button
7. Battery

### fig. A

8. Battery charger
9. Charge indicator

## Assembly

**Warning!** Before assembly, remove the battery from the tool and make sure that the saw blade has stopped. Used saw blades may be hot.

### Fitting and removing the saw blade (fig. B)

- ◆ Hold the saw blade (10) with the teeth facing forward.
- ◆ Lift the saw blade locking lever (3) upwards.
- ◆ Insert the shank of the blade fully into the blade clamp (4) as far as it will go.
- ◆ Release the lever.
- ◆ To remove the saw blade (10), lift the saw blade locking lever (3) upwards and pull the blade out.

### Fitting and removing the battery (fig. C)

- ◆ To fit the battery (7), line it up with the receptacle on the tool. Slide the battery into the receptacle and push until the battery snaps into place.
- ◆ To remove the battery, push the release buttons (11) while at the same time pulling the battery out of the receptacle.

## Use

**Warning!** Let the tool work at its own pace. Do not overload.

**Warning!** Never use the tool when the saw shoe is loose or removed.

### Charging the battery (fig. A)

The battery needs to be charged before first use and whenever it fails to produce sufficient power on jobs that were easily done before. The battery may become warm while charging; this is normal and does not indicate a problem.

**Warning!** Do not charge the battery at ambient temperatures below 10 °C or above 40 °C. Recommended charging temperature: approx. 24 °C.

**Note: The charger will not charge a battery if the cell temperature is below approximately 10 °C or above 40 °C. The battery should be left in the charger and the charger will begin to charge automatically when the cell temperature warms up or cools down.**

- ◆ To charge the battery (7), insert it into the charger (8). The battery will only fit into the charger in one way. Do not force. Be sure that the battery is fully seated in the charger.
- ◆ Plug in the charger and switch on at the mains.

The charging indicator (9) will blink.

The charge is complete when the charging indicator (9) switches to continuously on. The charger and the battery can be left connected indefinitely. The LED will switch on as the charger occasionally tops up the battery charge.

- ◆ Charge discharged batteries within 1 week. Battery life will be greatly diminished if stored in a discharged state.

### Leaving the battery in the charger

The charger and battery pack can be left connected with the LED glowing indefinitely. The charger will keep the battery pack fresh and fully charged.

### Charger diagnostics

If the charger detects a weak or damaged battery, the charging indicator (9) will flash red at a fast rate. Proceed as follows:

- ◆ Re-insert the battery (7).
- ◆ If the charging indicators continues flashing red at a fast rate, use a different battery to determine if the charging process works properly.
- ◆ If the replaced battery charges correctly, the original battery is defective and should be returned to a service centre for recycling.
- ◆ If the new battery gives the same indication as the original battery, take the charger to be tested at an authorised services centre.

**Note: It may take as long as 30 minutes to determine that the battery is defective. If the battery is too hot or too cold, the LED will alternately blink red, fast and slow, one flash at each speed and repeat.**

### Switching on and off (fig. D & E)

- ◆ To switch on, slide the lock off switch (2) to the left then pull and hold the variable speed trigger switch (1).
- ◆ To switch off, release the trigger switch (1).

**Warning!** Do not switch the tool on or off while under load.

**Warning!** Always slide the lock off switch (2) to the right, the locked position when the tool is not in use.

### Variable speed control

The variable speed on/off switch offers a choice of speeds for greatly improved cutting rates in various materials.

- ◆ The speed is determined by the amount the trigger switch (1) is pulled.

### Bevel cutting (fig. F, G & H)

The shoe plate can be set to a left or right bevel angle of 45°.

#### To set the bevel angle:

- ◆ Loosen the shoe retaining bolt (12) with the hex key provided to unlock the shoe plate (5).
- ◆ Slide the shoe plate (5) forward to release it from the 0° detent.
- ◆ Rotate the shoe plate to the desired bevel angle (fig. G).
- ◆ Slide the shoe plate backwards to engage the left or right detent.
- ◆ Tighten the shoe retaining bolt (12) with the hex key provided to lock the shoe plate (5) in the required position.

**Note:** The shoe can be beveled to the left or to the right and has detents at 45°.

## Cutting action (fig. 1)

This jig saw is equipped with three cutting actions, two orbital and one straight. Orbital action has a more aggressive blade motion and is designed for cutting in soft materials like wood or plastic. Orbital action provides a faster cut, but with a less smooth cut across the material. In orbital action, the blade moves forward during the cutting stroke in addition to the up and down motion.

**Warning!** Metal or hardwoods should never be cut in orbital action.

- ◆ Slide the cutting action button (6) between the three cutting positions: 0, 1 and 2.
- ◆ Position 0 is for straight cutting.
- ◆ Positions 1 and 2 are for orbital cutting.
- ◆ The aggressiveness of the cut increases as the lever is adjusted from one to two, with two being the most aggressive cut.

## Sawing

- ◆ Always hold the tool with both hands.
- ◆ Let the blade run freely for a few seconds before starting the cut.
- ◆ Apply only a gentle pressure to the tool while performing the cut.
- ◆ If possible, work with the shoe plate (5) pressed against the workpiece. This will improve tool control and reduce tool vibration, as well as prevent the blade from being damaged.

## Hints for optimum use

### General

- ◆ Use a high speed for wood, a medium speed for aluminium and PVC and a low speed for metals other than aluminium.

## Sawing laminates

As the saw blade cuts on the upward stroke, splintering may occur on the surface closest to the shoe plate.

- ◆ Use a fine-tooth saw blade.
- ◆ Saw from the back surface of the workpiece.
- ◆ To minimise splintering, clamp a piece of scrap wood or hardboard to both sides of the workpiece and saw through this sandwich.

## Sawing metal

Be aware that sawing metal takes much more time than sawing wood.

- ◆ Use a saw blade suitable for sawing metal. Use a fine-tooth saw blade for ferrous metals and a coarser saw blade for non-ferrous metals.
- ◆ When cutting thin sheet metal, clamp a piece of scrap wood to the back surface of the workpiece and cut through this sandwich.

- ◆ Spread a film of oil along the intended line of cut.

## Accessories

The performance of your tool depends on the accessory used. Stanley Fat Max accessories are engineered to high quality standards and designed to enhance the performance of your tool. By using these accessories you will get the very best from your tool.

This tool is suitable both for U-shank and T-shank saw blades.

## Maintenance

Your tool has been designed to operate over a long period of time with a minimum of maintenance. Continuous satisfactory operation depends upon proper tool care and regular cleaning.

**Warning!** Before performing any maintenance, switch off and unplug the tool.

- ◆ Regularly clean the ventilation slots in your tool and charger using a soft brush or dry cloth.
- ◆ Regularly clean the motor housing using a damp cloth. Do not use any abrasive or solvent-based cleaner.
- ◆ Occasionally apply a drop of oil to the axle of the blade support roller.

## Mains plug replacement (U.K. & Ireland only)

If a new mains plug needs to be fitted:

- ◆ Safely dispose of the old plug.
- ◆ Connect the brown lead to the live terminal in the new plug.
- ◆ Connect the blue lead to the neutral terminal.

**Warning!** No connection is to be made to the earth terminal. Follow the fitting instructions supplied with good quality plugs. Recommended fuse: 5 A.

## Protecting the environment



Separate collection. This product must not be disposed of with normal household waste.

Should you find one day that your Stanley Fat Max product needs replacement, or if it is of no further use to you, do not dispose of it with household waste. Make this product available for separate collection.



Separate collection of used products and packaging allows materials to be recycled and used again. Re-use of recycled materials helps prevent environmental pollution and reduces the demand for raw materials.

Local regulations may provide for separate collection of electrical products from the household, at municipal waste sites or by the retailer when you purchase a new product.



Stanley Europe provides a facility for the collection and recycling of Stanley Fat Max products once they have reached the end of their working life. To take advantage of this service please return your product to any authorised repair agent who will collect them on our behalf.

You can check the location of your nearest authorised repair agent by contacting your local Stanley Europe office at the address indicated in this manual. Alternatively, a list of authorised Stanley Europe repair agents and full details of our after-sales service and contacts are available on the Internet at: [www.2helpU.com](http://www.2helpU.com)

## Batteries



Stanley Fat Max batteries can be recharged many times. At the end of their useful life, discard batteries with due care for our environment:

- ◆ Run the battery down completely, then remove it from the tool.
- ◆ NiCd, NiMH and Li-Ion batteries are recyclable. Take them to any authorised repair agent or a local recycling station.

## Technical data

		FMC650 (H1)
Voltage	$V_{dc}$	18
No-load speed	$min^{-1}$	0 - 2500
Stroke length	mm	19
Max depth of cut		
Wood	mm	55
Steel	mm	8
Aluminium	mm	20
Weight	kg	2.62

		905765** TYP 1
Input Voltage	$V_{AC}$	220-240
Output Voltage	$V_{DC}$	20 (Max)
Current	A	2
Approx. charge time	min	120

		FMC688L
Voltage	$V_{DC}$	18
Capacity	Ah	4.0
Type		Li-Ion

$L_{pA}$  (sound pressure) 84.5 dB(A), Uncertainty (K) 3 dB(A)

$L_{WA}$  (sound power) 95.5 dB(A), Uncertainty (K) 3 dB(A)

Vibration total values (triax vector sum) according to EN 60745:

Cutting boards ( $a_{h,B}$ ) 6  $m/s^2$ , uncertainty (K) 1.5  $m/s^2$

Cutting sheet metal ( $a_{h,M}$ ) 4.3  $m/s^2$ , uncertainty (K) 1.5  $m/s^2$

**EC declaration of conformity**

MACHINERY DIRECTIVE



Cordless Jigsaw - FMC650

Stanley Europe declares that these products described under "technical data" are in compliance with:

2006/42/EC, EN 60745-1, EN 60745-2-11

These products also comply with Directive 2004/108/EC and 2011/65/EU. For more information, please contact Stanley Europe at the following address or refer to the back of the manual.

The undersigned is responsible for compilation of the technical file and makes this declaration on behalf of Stanley Europe.

Kevin Hewitt  
Vice-President Global Engineering  
Stanley Europe, Egide Walschaertsstraat 14-18,  
2800 Mechelen, Belgium  
12/02/2014

**Guarantee**

Stanley Europe is confident of the quality of its products and offers an outstanding guarantee for professional users of the product. This guarantee statement is in addition to and in no way prejudices your contractual rights as a private non-professional user. The guarantee is valid within the territories of the Member States of the European Union and the European Free Trade Area.

**ONE-YEAR FULL WARRANTY**

If your Stanley Fat Max product becomes defective due to faulty materials or workmanship within 12 months from the date of purchase, Stanley Europe guarantees to replace all defective parts free of charge or – at our discretion – replace the unit free of charge provided that:

- ◆ The product has not been misused and has been used in accordance with the instruction manual.
- ◆ The product has been subject to fair wear and tear;
- ◆ Repairs have not been attempted by unauthorised persons;
- ◆ Proof of purchase is produced.
- ◆ The Stanley Fat Max product is returned complete with all original components

If you wish to make a claim, contact your seller or check the location of your nearest authorised Stanley Fat Max repair agent in the Stanley Fat Max catalogue or contact your local Stanley office at the address indicated in this manual. A list of authorised Stanley Fat Max repair agents and full details of our after sales service is available on the internet at: [www.stanley.eu/3](http://www.stanley.eu/3)

## Bestimmungsgemäße Verwendung

Ihre Stanley Fat Max Stichsäge wurde zum Sägen von Holz, Kunststoff und Metallblechen entwickelt. Dieses Gerät ist zum gewerblichen und privaten Einsatz vorgesehen.

## Sicherheitshinweise

### Allgemeine Sicherheitswarnungen für das Gerät



**Achtung!** Lesen Sie sämtliche Sicherheitswarnungen und Anweisungen. Die Nichteinhaltung der nachstehend aufgeführten Warnungen und Anweisungen kann einen elektrischen Schlag, Brand und/oder schwere Verletzungen verursachen.

**Bewahren Sie alle Sicherheitswarnungen und Anweisungen gut auf.** Der nachfolgend verwendete Begriff "Gerät" bezieht sich auf netzbetriebene Geräte (mit Netzkabel) und auf akkubetriebene Geräte (ohne Netzkabel).

#### 1. Sicherheit im Arbeitsbereich

- a: **Sorgen Sie für einen sauberen und gut ausgeleuchteten Arbeitsbereich.** Unordnung oder dunkle Arbeitsbereiche können zu Unfällen führen.
- b: **Verwenden Sie die Geräte nicht in Umgebungen, in denen Explosionsgefahr, z. B. aufgrund von brennbaren Flüssigkeiten, Gasen oder Staub, besteht.** Geräte erzeugen Funken, die den Staub oder die Dämpfe entzünden können.
- c: **Halten Sie Kinder und andere Personen während der Benutzung eines Geräts fern.** Bei Ablenkung können Sie die Kontrolle verlieren.

#### 2. Elektrische Sicherheit

- a: **Der Netzstecker des Geräts muss in die Steckdose passen. Der Stecker darf in keiner Weise verändert werden. Verwenden Sie für geschützte Geräte keine Adapterstecker.** Unveränderte Stecker und passende Steckdosen verringern das Risiko eines elektrischen Schlags.
- b: **Vermeiden Sie Körperkontakt mit geerdeten Oberflächen von Rohren, Heizungen, Herden und Kühlschränken.** Wenn Ihr Körper geerdet ist, besteht ein erhöhtes Risiko eines elektrischen Schlags.
- c: **Halten Sie Geräte von Regen und Feuchtigkeit fern.** Das Eindringen von Wasser in ein Gerät erhöht das Risiko eines elektrischen Schlags.

- d: **Verwenden Sie das Kabel ordnungsgemäß. Verwenden Sie es niemals zum Tragen. Trennen Sie das Gerät nicht durch Ziehen am Kabel vom Netz. Halten Sie das Kabel fern von Hitze, Öl, scharfen Kanten oder sich bewegenden Teilen.** Beschädigte oder verwickelte Kabel erhöhen das Risiko eines elektrischen Schlags.
- e: **Verwenden Sie für Arbeiten im Freien nur für den Außenbereich zugelassene Verlängerungskabel.** Die Verwendung eines für den Außenbereich geeigneten Verlängerungskabels verringert das Risiko eines elektrischen Schlags.
- f: **Wenn das Gerät in einer feuchten Umgebung verwendet werden muss, schließen Sie es unbedingt an eine Steckdose mit Fehlerstromschutzschalter (RCD) an.** Die Verwendung eines Fehlerstromschutzschalters verringert das Risiko eines elektrischen Schlags.

#### 3. Persönliche Sicherheit

- a: **Verwenden Sie das Gerät aufmerksam und vernünftig. Benutzen Sie das Gerät nicht, wenn Sie müde sind oder unter dem Einfluss von Drogen, Alkohol oder Medikamenten stehen.** Ein Moment der Unachtsamkeit beim Gebrauch von Geräten kann zu ernsthaften Verletzungen führen.
- b: **Verwenden Sie eine geeignete Schutzausrüstung. Tragen Sie stets einen Augenschutz.** Schutzausrüstung wie Staubmaske, rutschfeste Sicherheitsschuhe, Schutzhelm oder Gehörschutz, je nach Art und Einsatz des Geräts, verringert das Risiko von Verletzungen.
- c: **Vermeiden Sie eine unbeabsichtigte Inbetriebnahme. Vergewissern Sie sich, dass das Gerät ausgeschaltet ist, bevor Sie es an eine Steckdose oder einen Akku anschließen, es hochheben oder tragen.** Durch das Tragen des Geräts mit dem Finger am Schalter oder durch das Anschließen eingeschalteter Geräte werden Unfälle provoziert.
- d: **Entfernen Sie Einstell- oder Schraubenschlüssel, bevor Sie das Gerät einschalten.** Ein Schlüssel, der sich in einem drehenden Teil befindet, kann zu Verletzungen führen.
- e: **Beugen Sie sich nicht zu weit nach vorne über. Achten Sie auf einen sicheren Stand, um in jeder Arbeitsposition das Gleichgewicht zu halten.** Dadurch können Sie das Gerät in unerwarteten Situationen besser unter Kontrolle halten.
- f: **Tragen Sie geeignete Kleidung. Tragen Sie keine weite Kleidung oder Schmuck. Halten Sie Haare, Kleidung und Handschuhe fern von sich bewegenden Teilen.** Weite Kleidung, Schmuck oder lange Haare können von sich bewegenden Teilen erfasst werden.

**g: Falls Staubabsaug- und -fangvorrichtungen vorhanden sind, vergewissern Sie sich, dass diese angeschlossen sind und richtig verwendet werden.** Das Verwenden einer Staubauffangvorrichtung verringert Gefährdungen durch Staub.

#### 4. Gebrauch und Pflege von Geräten

**a: Überlasten Sie das Gerät nicht. Verwenden Sie das für Ihre Arbeit passende Gerät.** Durch das Arbeiten in dem für das Gerät angegebenen Leistungsbereich erzielen Sie nicht nur optimale Ergebnisse, Sie erhöhen auch die Sicherheit.

**b: Verwenden Sie das Gerät nicht, wenn der Ein-/Ausschalter nicht funktioniert.** Ein Gerät, das sich nicht mehr ein- oder ausschalten lässt, ist gefährlich und muss repariert werden.

**c: Ziehen Sie den Stecker aus der Steckdose, und/oder trennen Sie das Gerät vom Akku, bevor Sie Einstellungen vornehmen, Zubehörteile wechseln oder das Gerät lagern.** Diese Vorsichtsmaßnahme verhindert den unbeabsichtigten Start des Geräts.

**d: Bewahren Sie unbenutzte Geräte außerhalb der Reichweite von Kindern auf. Lassen Sie Geräte nicht von Personen benutzen, die damit nicht vertraut sind oder diese Anweisungen nicht gelesen haben.** Geräte sind gefährlich, wenn Sie von unerfahrenen Personen benutzt werden.

**e: Halten Sie Geräte in einem einwandfreien Zustand. Kontrollieren Sie, ob bewegliche Teile falsch ausgerichtet sind oder klemmen und ob Teile gebrochen oder so beschädigt sind, dass die Funktion des Geräts beeinträchtigt ist. Lassen Sie beschädigte Geräte vor dem Gebrauch reparieren.** Viele Unfälle haben ihre Ursache in schlecht gewarteten Geräten.

**f: Halten Sie Schneidwerkzeuge scharf und sauber.** Sorgfältig gepflegte Schneidwerkzeuge mit scharfen Schneidkanten verklemmen sich seltener und sind leichter zu führen.

**g: Verwenden Sie Gerät, Zubehör, Einsätze usw. entsprechend diesen Anweisungen, und berücksichtigen Sie dabei die Arbeitsbedingungen und die auszuführende Arbeit.** Der Gebrauch von Geräten für andere als die vorgesehenen Anwendungen kann zu gefährlichen Situationen führen.

#### 5. Gebrauch und Pflege von akkubetriebenen Geräten

**a: Laden Sie den Akku nur mit dem vom Hersteller vorgesehenen Ladegerät auf.** Die Verwendung von Ladegeräten, die für eine andere Art von Akku bestimmt sind, kann dazu führen, dass sich der Akku beim Laden entzündet.

**b: Verwenden Sie nur die für das jeweilige Gerät vorgesehenen Akkus.** Die Verwendung anderer Akkus kann zu Verletzungen oder Bränden führen.

**c: Bewahren Sie den Akku bei Nichtbenutzung nicht in der Nähe metallischer Objekte wie Büroklammern, Münzen, Schlüsseln, Nägeln oder Schrauben auf, da diese eine Verbindung zwischen beiden Polen des Akkus herstellen können.** Bei einem Kurzschluss der Akkuanschlüsse besteht Verbrennungs- oder Feuergefahr.

**d: Durch unsachgemäßen Gebrauch können Flüssigkeiten aus dem Akku austreten. Berühren Sie diese nicht! Sollten Sie dennoch unbeabsichtigt mit diesen Flüssigkeiten in Berührung kommen, spülen Sie die betroffenen Stellen sofort mit reichlich Wasser. Suchen Sie sofort einen Arzt auf, wenn die Flüssigkeit in Kontakt mit Ihren Augen gekommen ist.** Flüssigkeiten aus Akkus können Hautreizungen oder Verbrennungen hervorrufen.

#### 6. Service

**a: Lassen Sie das Gerät nur von qualifiziertem Fachpersonal und nur mit Originalersatzteilen reparieren.** So wird gewährleistet, dass die Sicherheit des Geräts erhalten bleibt.

#### Zusätzliche Sicherheitswarnungen für das Gerät



**Achtung!** Zusätzliche Sicherheitshinweise für Stichsäge und Handsäge

- ◆ **Halten Sie das Gerät an den isolierten Griffflächen fest, wenn Sie Arbeiten ausführen, bei denen verdeckte Kabel durch Werkzeuge beschädigt werden könnten.** Der Kontakt mit stromführenden Leitungen kann auch offenliegende Metallteile am Gerät unter Strom setzen und zu einem Stromschlag führen.
- ◆ **Fixieren Sie das Werkstück mit Zwingen oder ähnlichen Hilfsmitteln auf einer stabilen Oberfläche.** Ein Werkstück, das mit der Hand oder gegen den Körper gehalten wird, ist unzureichend befestigt und kann leicht außer Kontrolle geraten.
- ◆ **Halten Sie Ihre Hände von der Schneidzone fern.** Greifen Sie niemals unter das zu schneidende Werkstück. Bewegen Sie Ihre Finger nicht in die Nähe des sich bewegenden Sägeblattes und dessen Klemme. Versuchen Sie nicht, die Säge zu stabilisieren, indem Sie diese am Sägegeschuh halten.
- ◆ **Halten Sie die Sägeblätter scharf.** Stumpfe oder beschädigte Sägeblätter können dazu führen, dass die Säge unter Druck blockiert oder ausbricht. Verwenden Sie immer ein für das jeweilige Werkstück und die Art des Schnittes geeignetes Sägeblatt.

- ◆ **Achten Sie beim Sägen von Rohren oder Leitungen darauf, dass diese frei von Wasser, Stromkabeln und Ähnlichem sind.**
- ◆ **Berühren Sie das Werkstück oder das Sägeblatt nicht direkt nach dem Gebrauch.** Beides kann sehr heiß werden.
- ◆ **Achten Sie auch auf nicht sichtbare Gefahren, wenn Sie in Wände, Böden oder Decken sägen. Prüfen Sie diese Stellen auf dahinter liegende Kabel oder Rohre.**
- ◆ **Das Sägeblatt bewegt sich auch dann noch, wenn Sie den Schalter losgelassen haben.** Schalten Sie das Gerät vor dem Ablegen stets aus, und warten Sie, bis das Sägeblatt zum Stillstand gekommen ist.

**Achtung!** Die Berührung und das Einatmen von Stäuben, die beim Sägen von Materialien entstehen, können beim Bediener und bei Umstehenden gesundheitliche Schäden verursachen. Tragen Sie eine speziell für den Schutz vor Staub und Dämpfen vorgesehene Staubmaske, und stellen Sie sicher, dass auch andere Personen entsprechend geschützt sind, die den Arbeitsplatz betreten oder sich dort aufhalten.

- ◆ In dieser Anleitung ist die bestimmungsgemäße Verwendung beschrieben. Die Verwendung von Zubehör- oder Anbauteilen, die nicht in dieser Anleitung empfohlen sind, sowie die Bedienung des Geräts in Abweichung von den in dieser Anleitung beschriebenen Verfahren kann zu Verletzungen und/oder Sachschäden führen.

### Sicherheit anderer Personen

- ◆ Dieses Gerät darf nicht von Personen (einschließlich Kindern) mit eingeschränkten körperlichen, sensorischen oder geistigen Fähigkeiten oder mangelnder Erfahrung und Wissen in Bezug auf dessen Gebrauch bedient werden, es sei denn, sie werden bei der Verwendung des Geräts von einer erfahrenen Person beaufsichtigt oder angeleitet.
- ◆ Kinder müssen beaufsichtigt werden, um sicherzustellen, dass sie nicht mit dem Gerät spielen.

### Restrisiken.

Beim Gebrauch dieses Geräts verbleiben zusätzliche Restrisiken, die möglicherweise nicht in den Sicherheitswarnungen genannt werden. Diese Risiken bestehen beispielsweise bei Missbrauch oder längerem Gebrauch.

Auch bei der Einhaltung der entsprechenden Sicherheitsvorschriften und der Verwendung aller Sicherheitsgeräte bestehen weiterhin bestimmte Restrisiken. Diese werden im Folgenden aufgeführt:

- ◆ Das Berühren von sich drehenden/bewegenden Teilen kann Verletzungen zur Folge haben.
- ◆ Das Austauschen von Teilen, Messern oder Zubehör kann Verletzungen zur Folge haben.

- ◆ Der längere Gebrauch eines Geräts kann Verletzungen zur Folge haben. Legen Sie bei längerem Gebrauch regelmäßige Pausen ein.
- ◆ Beeinträchtigung des Gehörs.
- ◆ Gesundheitsrisiken durch das Einatmen von Staub beim Gebrauch des Geräts (beispielsweise bei Holzarbeiten, insbesondere Eiche, Buche und Pressspan).

### Vibration

Die in den Abschnitten "Technische Daten" und "EU-Konformitätserklärung" angegebenen Werte für die Vibrationsemission wurden mit einer Standard-Prüfmethode nach EN 60745 ermittelt und können zum Vergleich verschiedener Geräte herangezogen werden. Außerdem kann mit Hilfe dieses Werts die Belastung bei Verwendung des Geräts schon im Voraus eingeschätzt werden.

**Achtung!** Die bei Verwendung des Geräts auftretende Vibrationsemission hängt von der Art des Gerätegebrauchs ab und kann dementsprechend von dem angegebenen Wert abweichen. Gegebenenfalls kann die Vibration über dem angegebenen Wert liegen.

Mithilfe der ermittelten Werte der Vibrationsbelastung durch Elektrogeräte lassen sich Sicherheitsmaßnahmen festlegen, die gemäß 2002/44/EG zum Schutz von Personen bestimmt sind, die diese Geräte regelmäßig bei der Arbeit verwenden. Bei der Einschätzung der Vibrationsbelastung sollten die Gebrauchsumstände und die Art der Verwendung des Geräts sowie alle Schritte des Arbeitszyklus berücksichtigt werden, wozu Ruhe-, Leerlauf- und Startzeiten gehören.

### Warnsymbole am Gerät

Am Gerät sind folgende Warnsymbole angebracht:



**Achtung!** Lesen Sie vor Gebrauch die Anleitung. Andernfalls besteht Verletzungsgefahr.

### Zusätzliche Sicherheitshinweise für Akkus und Ladegeräte

#### Akkus

- ◆ Auf keinen Fall öffnen.
- ◆ Achten Sie darauf, dass der Akku nicht mit Wasser in Berührung kommt.
- ◆ Nicht bei Temperaturen über 40 °C lagern.
- ◆ Laden Sie den Akku nur bei Umgebungstemperaturen von 10 °C bis 40 °C.
- ◆ Verwenden Sie ausschließlich das mitgelieferte Ladegerät.
- ◆ Beachten Sie bei der Entsorgung von Akkus die Hinweise im Abschnitt "Umweltschutz".



**Versuchen Sie nie, beschädigte Akkus aufzuladen.**

### Ladegeräte

- ◆ Verwenden Sie das Stanley Fat Max Ladegerät nur für den Akku des Werkzeugs, mit dem es geliefert wurde. Andere Akkus könnten platzen und Sachschäden oder Verletzungen verursachen.
- ◆ Versuchen Sie keinesfalls, nicht aufladbare Batterien zu laden.
- ◆ Lassen Sie beschädigte Kabel sofort austauschen.
- ◆ Achten Sie darauf, dass das Ladegerät nicht mit Wasser in Berührung kommt.
- ◆ Versuchen Sie nicht, das Ladegerät zu öffnen.
- ◆ Nehmen Sie am Ladegerät keine Veränderungen vor.



Das Ladegerät darf nur im Innenbereich verwendet werden.



Lesen Sie vor dem Gebrauch die Anleitung.

### Elektrische Sicherheit



Das Ladegerät ist schutzisoliert, daher ist keine Erdleitung erforderlich. Stellen Sie sicher, dass die Netzspannung der auf dem Typenschild des Geräts angegebenen Spannung entspricht. Ersetzen Sie das Ladegerät keinesfalls durch ein normales Netzkabel.

- ◆ Ist das Netzkabel beschädigt, muss es durch den Hersteller oder eine Stanley Fat Max Vertragswerkstatt ausgetauscht werden, um eine mögliche Gefährdung zu vermeiden.

### Merkmale

Dieses Gerät verfügt über einige oder alle der folgenden Merkmale:

1. Auslöser mit Geschwindigkeitsregler
2. Einschaltsperr
3. Hebel für Sägeblattverriegelung
4. Sägeblattklemme
5. Sägeschuh
6. Schalter zum Einstellen der Sägebewegung
7. Akku

### Abb. A

8. Akkuladegerät
9. Ladeanzeige

### Montage

**Achtung!** Nehmen Sie vor der Montage den Akku aus dem Gerät, und stellen Sie sicher, dass das Sägeblatt zum Stillstand gekommen ist. Nach der Verwendung kann das Messer heiß sein.

### Anbringen und Entfernen des Sägeblatts (Abb. B)

- ◆ Halten Sie das Sägeblatt (10) mit den Zähnen nach vorne.
- ◆ Heben Sie den Hebel für die Sägeblattverriegelung (3) an.
- ◆ Setzen Sie den Schaft des Sägeblatts vollständig bis zum Anschlag in die Sägeblattklemme (4) ein.
- ◆ Lassen Sie den Hebel los.
- ◆ Heben Sie zum Entfernen des Sägeblatts (10) den Hebel für die Sägeblattverriegelung (3) an, und ziehen Sie das Sägeblatt heraus.

### Einsetzen und Entfernen des Akkus (Abb. C)

- ◆ Um den Akku (7) einzusetzen, richten Sie ihn an der Aufnahme am Gerät aus. Schieben Sie den Akku in die Aufnahme, bis er in der richtigen Position einrastet.
- ◆ Drücken Sie die Entriegelungstasten (11), und schieben Sie gleichzeitig den Akku aus dem Akkufach, um diesen zu entfernen.

### Gebrauch

**Achtung!** Beschleunigen Sie den Arbeitsvorgang nicht mit Gewalt. Vermeiden Sie eine Überlastung des Geräts.

**Achtung!** Betreiben Sie das Gerät nicht mit losem oder abgenommenem Sägeschuh.

### Laden des Akkus (Abb. A)

Der Akku muss vor der erstmaligen Benutzung sowie immer dann aufgeladen werden, wenn das Gerät nicht mehr mit voller Leistung arbeitet. Während des Ladevorgangs kann der Akku warm werden. Das ist normal.

**Achtung!** Laden Sie den Akku nicht, wenn die Umgebungstemperatur unter 10 °C oder über 40 °C liegt. Empfohlene Ladetemperatur: etwa 24 °C.

**Hinweis: Ein Akku, bei dem die Temperatur der Batteriezellen unter ca. 10 °C oder über 40 °C liegt, wird vom Ladegerät nicht geladen.**

**Lassen Sie in diesem Fall den Akku im Ladegerät. Das Ladegerät beginnt automatisch mit dem Ladevorgang, sobald sich die Zellen erwärmt bzw. abgekühlt haben.**

- ◆ Setzen Sie den Akku (7) in das Ladegerät (8) ein, um diesen zu laden. Der Akku kann nur in einer Ausrichtung in das Ladegerät eingesetzt werden. Gehen Sie nicht mit Gewalt vor. Vergewissern Sie sich, dass der Akku ordnungsgemäß im Ladegerät steckt.
- ◆ Schließen Sie das Ladegerät an eine Steckdose an, und schalten Sie die Stromversorgung ein.

Die Ladeanzeige (9) blinkt.

Der Ladevorgang ist abgeschlossen, wenn die Ladeanzeige (9) dauerhaft leuchtet. Der Akku kann beliebig lange im Ladegerät verbleiben. Die LED-Anzeige leuchtet auf, wenn der Akku gelegentlich nachgeladen wird.

- ◆ Ein entladener Akku sollte innerhalb einer Woche wieder aufgeladen werden. Die Lebensdauer des Akkus wird erheblich reduziert, wenn dieser in entladendem Zustand aufbewahrt wird.

### Belassen des Akkus im Ladegerät

Sie können den Akku auf im Ladegerät belassen. In diesem Fall leuchtet die LED-Anzeige dauerhaft. Das Ladegerät hält den Akku in einem vollständig geladenen Zustand.

### Diagnose des Ladegeräts

Wenn das Ladegerät einen schwachen oder beschädigten Akku feststellt, blinkt die Ladeanzeige (9) in schneller Folge rot. Gehen Sie folgendermaßen vor:

- ◆ Setzen Sie den Akku (7) erneut ein.
- ◆ Falls die Ladeanzeige weiterhin in schneller Folge rot aufblinkt, verwenden Sie einen anderen Akku, um herauszufinden, ob der Ladevorgang ordnungsgemäß ausgeführt wird.
- ◆ Wenn der ersetzte Akku ordnungsgemäß geladen wird, ist der ursprüngliche Akku defekt. Geben Sie diesen bei einem Service Center ab, damit er recycelt werden kann.
- ◆ Lassen Sie das Ladegerät von einer autorisierten Vertragswerkstatt überprüfen, wenn bei dem neuen Akku dieselbe Anzeige erscheint wie bei dem ursprünglichen Akku.

**Hinweis: Es kann bis zu 30 Minuten dauern, bis sich herausstellt, ob der Akku tatsächlich defekt ist. Wenn der Akku zu warm oder zu kalt ist, blinkt die rote LED-Anzeige abwechselnd einmal langsam und einmal schnell.**

### Ein- und Ausschalten (Abb. D und E)

- ◆ Bewegen Sie die Einschaltsperrle (2) nach links, und betätigen Sie den Auslöser mit Geschwindigkeitsregler (1), um das Gerät einzuschalten.
- ◆ Lassen Sie zum Ausschalten des Geräts den Auslöser (1) wieder los.

**Achtung!** Schalten Sie das Gerät nicht unter Last ein oder aus.

**Achtung!** Bewegen Sie die Einschaltsperrle (2) stets nach rechts in die verriegelte Stellung, wenn das Gerät nicht verwendet wird.

### Geschwindigkeitsregler

Mithilfe des Ein-/Ausschalters mit Geschwindigkeitsregler können unterschiedliche Schnittgeschwindigkeiten für ein besseres Sägeergebnis bei verschiedenen Materialien eingestellt werden.

- ◆ Die Geschwindigkeit des Geräts wird mit dem Auslöser (1) geregelt.

### Gehrungsschnitte (Abb. F, G und H)

Der Sägeschuh kann in einem Winkel von 45° nach links und rechts geschwenkt werden.

### Einstellen des Gehrungswinkels:

- ◆ Lösen Sie die Sägeschuhsschraube (12) mit dem mitgelieferten Inbusschlüssel, damit Sie den Sägeschuh (5) bewegen können.
- ◆ Bewegen Sie den Sägeschuh (5) nach vorne, um diesen aus der 0°-Ausgangsposition zu lösen.
- ◆ Stellen Sie den Sägeschuh auf den gewünschten Winkel ein (Abb. G).
- ◆ Bewegen Sie den Sägeschuh (5) nach hinten in die linke bzw. rechte Anschlagstellung.
- ◆ Ziehen Sie die Sägeschuhsschraube (12) mit dem mitgelieferten Inbusschlüssel fest, um den Sägeschuh (5) in der gewünschten Stellung zu arretieren.

**Hinweis:** Der Sägeschuh kann nach links oder rechts gekippt werden und rastet bei 45° ein.

### Sägebewegung (Abb. I)

Die Stichsäge verfügt über drei Sägebewegungen, zwei kreisende und eine gerade Bewegung. Bei der kreisenden Bewegung wird das Sägeblatt aggressiver geführt. Diese Bewegung ist für das Sägen von weichem Material, wie Holz oder Plastik gedacht. Die kreisende Bewegung ermöglicht einen schnelleren Schnitt, jedoch mit einer weniger glatten Schnittkante. Bei der kreisenden Bewegung wird das Sägeblatt zusätzlich zum Hub nach oben und unten auch nach vorne bewegt.

**Achtung!** Die kreisende Bewegung sollte niemals zum Sägen von Metall oder Hartholz verwendet werden.

- ◆ Stellen Sie den Schalter zum Einstellen der Sägebewegung (6) in eine der drei Sägepositionen: 0, 1 und 2.
- ◆ Position 0 für gerade Schnitte.
- ◆ Position 1 und 2 für kreisende Schnitte.
- ◆ Die Aggressivität der Sägebewegung nimmt von Position eins bis zwei zu, mit zwei als aggressivster Schnittführung.

### Sägen

- ◆ Halten Sie das Gerät immer mit beiden Händen.
- ◆ Lassen Sie das Sägeblatt einige Sekunden frei drehen, bevor Sie mit der Arbeit beginnen.
- ◆ Üben Sie während des Sägens nur einen geringen Druck auf das Gerät aus.
- ◆ Drücken Sie die den Sägeschuh (5) wenn möglich gegen das Werkstück. So erhalten Sie eine bessere Kontrolle über das Werkzeug, reduzieren die Vibrationen und verhindern, dass das Sägeblatt beschädigt wird.

## Hinweise für optimale Arbeitsergebnisse

### Allgemeine Hinweise

- ◆ Wählen Sie für Holz eine hohe, für Aluminium und PVC eine mittlere und für andere Metalle eine niedrige Geschwindigkeit.

### Sägen von Laminat

Da der Schnittvorgang bei der Aufwärtsbewegung des Sägeblatts erfolgt, kann die Oberfläche des Werkstücks splintern. Es entsteht dann eine unregelmäßige, ausgefranste Schnittkante.

- ◆ Verwenden Sie ein Sägeblatt mit feiner Zahnung.
- ◆ Drehen Sie das Werkstück um, und setzen Sie die Säge an der Unterseite an.
- ◆ Ausgefranste Kanten und Absplinterungen können Sie auch vermeiden, indem Sie das zu sägende Werkstück zwischen zwei Holz- oder Pressspanplatten einspannen und dieses "Sandwich" sägen.

### Sägen von Metall

Das Sägen von Metall erfolgt wesentlich langsamer als bei Werkstücken aus Holz.

- ◆ Verwenden Sie ein Sägeblatt, das zum Sägen von Metall geeignet ist. Verwenden Sie bei eisenhaltigen Metallen ein Sägeblatt mit feinen Zähnen und bei Metallen ohne Eisenanteil ein grobes Sägeblatt.
- ◆ Spannen Sie dünne Metallbleche zum Sägen auf eine Holz- oder Pressspanplatte.
- ◆ Bringen Sie einen dünnen Ölfilm entlang der beabsichtigten Schnittlinie auf.

### Zubehörteile

Das verwendete Zubehör hat wesentlichen Einfluss auf die Leistung des Geräts. Zubehörteile von Stanley Fat Max erfüllen höchste Qualitätsstandards und wurden speziell für die Verwendung mit Ihrem Gerät entwickelt. Bei Verwendung dieses Zubehörs erhalten Sie stets optimale Ergebnisse. Das Gerät ist für Sägeblätter mit U- und T-Schaft geeignet.

### Wartung

Ihr Gerät wurde im Hinblick auf eine lange Lebensdauer und einen möglichst geringen Wartungsaufwand entwickelt. Ein dauerhafter, einwandfreier Betrieb setzt eine regelmäßige Pflege und Reinigung voraus.

**Achtung!** Schalten Sie das Gerät vor der Durchführung von Pflege-, Reinigungs- und Wartungsarbeiten aus, und ziehen Sie den Netzstecker.

- ◆ Reinigen Sie regelmäßig die Lüftungsschlitze des Geräts und des Ladegeräts mit einer weichen Bürste oder einem trockenen Tuch.

- ◆ Reinigen Sie das Motorgehäuse regelmäßig mit einem feuchten Tuch. Verwenden Sie keine scheuernden Reinigungsmittel oder Reinigungsmittel auf Lösungsmittelbasis.
- ◆ Schmieren Sie gelegentlich die Achse der Sägeblatfführungsrolle mit einem Tropfen Öl.

### Austauschen des Netzsteckers (nur Großbritannien und Irland)

Gehen Sie folgendermaßen vor, wenn ein neuer Netzstecker angebracht werden muss:

- ◆ Entsorgen Sie den alten Stecker auf sachgerechte Weise.
- ◆ Verbinden Sie die braune Leitung mit dem spannungsführenden Anschluss des Steckers.
- ◆ Verbinden Sie die blaue Leitung mit dem neutralen Anschluss.

**Achtung!** Der Erdleiter wird nicht angeschlossen. Befolgen Sie die Anleitungen, die dem Stecker beiliegen. Empfohlene Sicherung: 5 A.

### Umweltschutz



Getrennte Entsorgung. Dieses Produkt darf keinesfalls mit dem Hausmüll entsorgt werden.

Sollten Sie Ihr Stanley Fat Max Produkt eines Tages ersetzen oder nicht mehr benötigen, entsorgen Sie es nicht mit dem Hausmüll. Führen Sie das Produkt einer getrennten Sammlung zu.



Durch die getrennte Sammlung von ausgedienten Produkten und Verpackungsmaterialien können Rohstoffe recycelt und wiederverwendet werden. Die Wiederverwendung aufbereiteter Materialien trägt zur Vermeidung der Umweltverschmutzung bei und senkt den Rohstoffbedarf.

Die Verordnung zur Abfallentsorgung Ihrer Gemeinde sieht möglicherweise vor, dass Elektrogeräte getrennt vom Hausmüll gesammelt, an der örtlichen Abfallentsorgungseinrichtung abgegeben oder beim Kauf eines neuen Produkts vom Fachhandel zur Entsorgung angenommen werden müssen.

Stanley Europe nimmt Ihre ausgedienten Stanley Fat Max Geräte gern zurück und sorgt für eine umweltfreundliche Entsorgung bzw. Wiederverwertung. Um diese Dienstleistung in Anspruch zu nehmen, geben Sie das Gerät bitte bei einer autorisierten Reparaturwerkstatt ab, die für uns die Einsammlung übernimmt.



Die Adresse der zuständigen Niederlassung von Stanley Europe steht in dieser Anleitung. Dort teilt man Ihnen gerne die nächstgelegene Vertragswerkstatt mit. Eine Liste der Vertragswerkstätten und aller Kundendienststellen von Stanley Europe sowie der zuständigen Ansprechpartner finden Sie auch im Internet unter: [www.2helpU.com](http://www.2helpU.com)

## Akkus



Stanley Fat Max Akkus können viele Male geladen werden. Denken Sie bei der Entsorgung von verbrauchten Batterien/Akkus an die Umwelt.

- ◆ Entladen Sie den Akku vollständig, und entfernen Sie ihn dann aus dem Gerät.
- ◆ NiCd-, NiMH- und Lithiumionenakkus sind recycelbar. Bringen Sie die Batterien oder Akkus zu einer autorisierten Vertragswerkstatt oder zu einer Rücknahmestelle in Ihrer Nähe.

## Technische Daten

		FMC650 (H1)
Spannung	$V_{dc}$	18
Leerlaufdrehzahl	$min^{-1}$	0 - 2500
Hublänge	mm	19
Maximale Schnitttiefe		
Holz	mm	55
Stahl	mm	8
Aluminium	mm	20
Gewicht	kg	2,62

		905765** TYP 1
Eingangsspannung	$V_{AC}$	220-240
Ausgangsspannung	$V_{DC}$	max. 20
Stromstärke	A	2
Ungefähre Ladezeit	Min.	120

		FMC688L
Spannung	$V_{DC}$	18
Kapazität	Ah	4.0
Typ		Lithium-Ionen

$L_{pA}$ (Schalldruck) 84,5 dB(A), Unsicherheitsfaktor (K) 3 dB(A)
$L_{WA}$ (Schalleistung) 95,5 dB(A), Unsicherheitsfaktor (K) 3 dB(A)
Gesamtvibration (Triax-Vektorsumme) gemäß EN 60745:
Schneiden von Brettern ( $a_{h,B}$ ) 6 $m/s^2$ , Unsicherheitsfaktor (K) 1,5 $m/s^2$
Schneiden von Metallblech ( $a_{h,M}$ ) 4,3 $m/s^2$ , Unsicherheitsfaktor (K) 1,5 $m/s^2$

## EG-Konformitätserklärung

MASCHINENRICHTLINIE



Kabellose Stichsäge – FMC650

Stanley Europe erklärt, dass diese unter "Technische Daten" beschriebenen Geräte übereinstimmen mit:

2006/42/EG, EN 60745-1, EN 60745-2-11

Diese Produkte entsprechen außerdem den Richtlinien 2004/108/EG und 2011/65/EU. Weitere Informationen erhalten Sie von Stanley Europe unter der folgenden Adresse. Diese

befindet sich auch auf der Rückseite dieser Anleitung.

Der Unterzeichnete ist verantwortlich für die Zusammenstellung der technischen Daten und gibt diese Erklärung im

Namen von Stanley Europe ab.

Kevin Hewitt

Vice-President Global Engineering  
Stanley Europe, Egide Walschaertsstraat 14-18,  
2800 Mechelen, Belgien  
23/12/2013

## Garantie

Stanley Europe vertraut auf die Qualität der eigenen Geräte und bietet gewerblichen Anwendern eine außergewöhnliche Garantie. Bei dieser Garantieerklärung handelt es sich um eine Ergänzung zu den vertraglich festgeschriebenen Rechten von Heimanwendern, die durch diese Garantieerklärung keinesfalls eingeschränkt werden. Sie gilt in sämtlichen Mitgliedstaaten der Europäischen Union und der Europäischen Freihandelszone EFTA.

### VOLLE GARANTIE FÜR EIN JAHR

Tritt innerhalb von 12 Monaten ab Kaufdatum an einem Gerät von Stanley Fat Max ein auf Material- oder Verarbeitungsfehler zurückzuführender Mangel auf, garantiert Stanley Europe den kostenlosen Austausch sämtlicher defekter Teile bzw. – nach eigenem Ermessen – den kostenlosen Ersatz des Geräts, allerdings vorbehaltlich folgender Bedingungen:

- ◆ Das Gerät wurde gemäß dieser Anleitung verwendet.
- ◆ Das Gerät wurde nur normaler Abnutzung ausgesetzt.
- ◆ Es wurden keine Reparaturversuche durch unberechtigte Personen unternommen.
- ◆ Es ist ein Kaufbeleg vorhanden.
- ◆ Das Gerät von Stanley Fat Max wird vollständig und mit allen Originalkomponenten eingereicht.

Wenn Sie Garantieleistungen in Anspruch nehmen möchten, wenden Sie sich an den Verkäufer oder die zuständige Niederlassung von Stanley Fat Max. Die Adresse finden Sie im Stanley Fat Max Katalog, oder sie wird Ihnen von der örtlichen Niederlassung genannt, deren Adresse in dieser Anleitung steht. Eine Liste der Vertragswerkstätten und aller Kundendienststellen von Stanley Fat Max finden Sie auch im Internet unter: [www.stanley.eu/3](http://www.stanley.eu/3)

## Utilisation

Votre scie sauteuse Stanley Fat Max a été spécialement conçue pour scier du bois, du métal et du plastique. Cet outil a été conçu pour les utilisateurs non professionnels, ainsi que pour un usage privé et professionnel.

## Consignes de sécurité

### Consignes de sécurité concernant les outils électroportatifs



**Attention !** Lisez avec attention tous les avertissements et toutes les instructions. Le non-respect de cette consigne peut entraîner une électrocution, un incendie et/ou de graves blessures.

**Conservez tous les avertissements et instructions pour référence ultérieure.** La notion d'« outil électroportatif » mentionnée par la suite se rapporte à des outils électriques raccordés au secteur (avec câble de raccordement) ou fonctionnant avec piles (sans fil).

1. **Sécurité de la zone de travail**
  - a. **Maintenez la zone de travail propre et bien éclairée.** Un lieu de travail en désordre ou mal éclairé augmente le risque d'accidents.
  - b. **N'utilisez pas les outils électroportatifs dans un environnement présentant des risques d'explosion ni en présence de liquides, gaz ou poussières inflammables.** Les outils électroportatifs génèrent des étincelles risquant d'enflammer les poussières ou les vapeurs.
  - c. **Tenez les enfants et autres personnes éloignés durant l'utilisation de l'outil électroportatif.** En cas d'inattention, vous risquez de perdre le contrôle.
2. **Sécurité électrique**
  - a. **La prise de l'outil électroportatif doit être compatible avec la prise d'alimentation. Ne modifiez en aucun cas la prise. N'utilisez pas de prises d'adaptateur avec des appareils ayant une prise de terre.** Le respect de ces consignes réduit le risque de choc électrique.
  - b. **Évitez le contact physique avec des surfaces mises à la terre telles que tuyaux, radiateurs, fours et réfrigérateurs.** Il y a un risque élevé de choc électrique si votre corps est relié à la terre.
  - c. **N'exposez pas l'outil électroportatif à la pluie ou à l'humidité.** La pénétration d'eau dans un outil électroportatif augmente le risque de choc électrique.
3. **Sécurité personnelle**
  - a. **Restez vigilant, surveillez ce que vous faites. Faites preuve de bon sens quand vous utilisez un outil électroportatif. N'utilisez pas l'outil lorsque vous êtes fatigué ou après avoir consommé de l'alcool ainsi que des médicaments.** Un moment d'inattention lors de l'utilisation de l'outil peut entraîner de graves blessures.
  - b. **Portez un équipement de protection. Portez toujours des lunettes de protection.** Selon le travail à effectuer, le port d'équipement de protection tels que masque anti-poussières, chaussures de sécurité antidérapantes, casque ou protection auditive, réduit le risque de blessures.
  - c. **Évitez un démarrage imprévu. L'outil doit être en position OFF (arrêt) avant d'effectuer le branchement à l'alimentation et/ou au bloc-batterie, de le ramasser ou de le porter.** Ne laissez pas votre doigt sur le bouton de commande en le transportant. N'alimentez pas l'outil si le bouton est activé. Ceci pourrait être à l'origine d'accident.
  - d. **Enlevez tout outil ou clé de réglage avant de mettre l'appareil en marche.** Une clé ou un outil se trouvant sur une pièce en rotation peut causer des blessures.
  - e. **Adoptez une position confortable. Adoptez une position stable et gardez votre équilibre en permanence.** Vous contrôlerez mieux l'outil dans des situations inattendues.
  - f. **Portez des vêtements appropriés. Ne portez pas de vêtements amples ou de bijoux. N'approchez pas les cheveux, vêtements ou gants des parties des pièces mobiles.** Les vêtements amples, les bijoux ou les cheveux longs peuvent s'accrocher dans les pièces en mouvement.
- d. **Préservez le câble d'alimentation. N'utilisez pas le câble pour porter l'outil. Ne le tirez pas pour le débrancher. Maintenez le câble éloigné des sources de chaleurs, des parties huilées, des bords tranchants ou des parties de l'appareil en rotation.** Le risque de choc électrique augmente si les câbles sont endommagés ou emmêlés.
- e. **Si vous utilisez l'outil électroportatif à l'extérieur, utilisez une rallonge homologuée pour une utilisation à l'extérieur.** L'utilisation d'une rallonge électrique homologuée pour les travaux à l'extérieur réduit le risque de choc électrique.
- f. **Si l'outil doit être utilisé dans un endroit humide, prenez les précautions nécessaires en utilisant un dispositif à courant résiduel (RCD).** L'utilisation d'un tel dispositif réduit les risques d'électrocution.

- g. Si des appareils servant à aspirer ou à recueillir les poussières sont utilisés, assurez-vous qu'ils sont correctement raccordés et utilisés. L'utilisation de tels appareils réduit les dangers dus aux poussières.
4. **Utilisation des outils électroportatifs et précautions**
- a. **Respectez la capacité de l'outil. Utilisez l'outil électroportatif correspondant au travail à effectuer.** Avec un outil approprié, vous travaillerez mieux et en toute sécurité.
- b. **N'utilisez pas un outil électroportatif dont l'interrupteur est défectueux.** Un outil électrique qui ne répond pas à la commande marche/arrêt est dangereux et doit être réparé.
- c. **Retirez la prise de courant et/ou débranchez le bloc-batterie avant d'effectuer des réglages, de changer les accessoires ou de ranger l'outil.** Cette mesure de précaution empêche de mettre l'outil en marche accidentellement.
- d. **Rangez les outils électroportatifs hors de portée des enfants. Les personnes ne connaissant pas l'outil ou n'ayant pas lu ces instructions ne doivent en aucun cas l'utiliser.** Les outils électroportatifs sont dangereux lorsqu'ils sont utilisés par des personnes non initiées.
- e. **Entretenez les outils électroportatifs. Vérifiez que les parties mobiles fonctionnent correctement et qu'elles ne sont pas coincées. Vérifiez qu'il n'y a pas de pièces cassées ou endommagées susceptibles de nuire au bon fonctionnement de l'outil. S'il est endommagé, faites réparer l'outil avant de l'utiliser.** De nombreux accidents sont dus à des outils électroportatifs mal entretenus.
- f. **Maintenez les outils de coupe aiguisés et propres.** Des outils soigneusement entretenus avec des bords tranchants bien aiguisés se coincent moins souvent et peuvent être guidés plus facilement.
- g. **Utilisez les outils électroportatifs, les accessoires, etc., en suivant ces instructions et en tenant compte des conditions de travail, ainsi que du travail à effectuer.** L'utilisation des outils électroportatifs à d'autres fins que celles prévues peut vous mettre en situation dangereuse.
5. **Utilisation de la batterie et précautions**
- a. **Ne rechargez qu'avec le chargeur proposé par le fabricant.** Un chargeur destiné à un type de bloc-batteries risque de provoquer des incendies s'il est utilisé avec un bloc-batteries différent.
- b. **N'utilisez les appareils électroportatifs qu'avec le bloc-batterie approprié.** L'utilisation d'un autre bloc-batteries peut provoquer des blessures ou être à l'origine d'un feu.
- c. **Quand le bloc-batterie n'est pas utilisé, éloignez-le d'objets en métal comme des agrafes, des pièces, des clés, des clous, des vis ou autres petits objets qui pourraient établir une connexion d'une borne à l'autre.** Un tel court-circuit peut être à l'origine d'un feu ou de brûlures.
- d. **En cas d'utilisation excessive, le liquide peut sortir de la batterie; évitez tout contact. Si vous n'avez pu éviter le contact, rincez à l'eau. En cas de contact avec les yeux, consultez un médecin.** Le liquide sortant des batteries peut causer des irritations ou des brûlures.
6. **Réparations**
- a. **Faites réparer votre outil électroportatif uniquement par du personnel qualifié et seulement avec des pièces de rechange appropriées.** Cela garantira le maintien de la sécurité de votre outil.

### Consignes de sécurité supplémentaires concernant les outils électroportatifs



**Attention !** Prendre encore plus de précautions avec les scies sauteuses et à mouvement en va-et-vient

- ◆ **Tenez l'outil électrique au niveau des surfaces de prise isolées lorsque vous l'utilisez à des endroits où l'accessoire de coupe pourrait entrer en contact avec des fils cachés.** Tout contact de l'accessoire de coupe avec un fil « sous tension » pourrait transférer une charge électrique aux parties métalliques exposées de l'outil électrique et exposer l'opérateur à un choc électrique.
- ◆ **Utilisez des pinces ou autres pour fixer et soutenir la pièce de manière stable.** Si vous la tenez à la main ou contre votre corps, elle ne sera pas stable et vous pouvez en perdre le contrôle.
- ◆ **Éloignez vos mains des zones de découpe.** Ne cherchez jamais à atteindre le matériel par dessous. Ne passez pas vos doigts ou pouces à proximité de la fixation de la lame et de la lame en mouvement. Ne cherchez pas à stabiliser la scie en attrapant la semelle.
- ◆ **Maintenez les lames aiguisées.** Les lames émoussées ou endommagées peuvent faire déraiper ou bloquer la scie pendant le fonctionnement. Utilisez toujours le type approprié de lame correspondant au matériau de la pièce à couper.
- ◆ **Avant de couper un tuyau ou une conduite, assurez-vous qu'il n'y a ni eau ni fil électrique, etc.**
- ◆ **Ne touchez pas la pièce coupée ou la lame immédiatement après avoir utilisé l'outil.** Elles peuvent être très chaudes.

- ◆ **Prenez garde aux dangers cachés. Avant de couper des murs, des planchers ou des plafonds, vérifiez l'emplacement des câblages et tuyaux.**
- ◆ **Le va-et-vient de la lame continue après avoir relâché le bouton.** Après avoir arrêté la scie (Off), attendez que la lame se stabilise complètement avant de poser l'outil.

**Attention !** Tout contact ou inhalation de poussières pendant la coupe peut représenter un danger pour la santé de l'opérateur ainsi, qu'éventuellement, des personnes autour. Portez un masque antipoussière spécialement conçu pour vous protéger des sciures et des fumées toxiques et veillez à ce que les personnes se trouvant à l'intérieur de la zone de travail ou y pénétrant soient également protégées.

- ◆ Les consignes d'utilisation sont données dans ce manuel d'instructions. L'utilisation d'un accessoire ou d'une fixation, ou bien l'utilisation de cet outil à d'autres fins que celles recommandées dans ce manuel d'instructions peut entraîner des blessures et/ou des dommages matériels.

### Sécurité des personnes

- ◆ Cet outil ne peut être utilisé par des personnes (y compris des enfants) ayant des capacités mentales, sensorielles ou physiques réduites, ou celles manquant d'expérience et de connaissances, à moins qu'elles ne soient encadrées ou qu'elles n'aient été formées à l'utilisation de l'appareil par une personne responsable de leur sécurité.
- ◆ Ne laissez jamais les enfants sans surveillance pour éviter qu'ils ne jouent avec cet outil.

### Risques résiduels.

L'utilisation d'un outil non mentionné dans les consignes de sécurité données peut entraîner des risques résiduels supplémentaires. Ces risques peuvent survenir si l'appareil est mal utilisé, si l'utilisation est prolongée, etc.

Malgré l'application des normes de sécurité correspondantes et la présence de dispositifs de sécurité, les risques résiduels suivants ne peuvent être évités. Ceci comprend :

- ◆ Les blessures dues au contact avec une pièce mobile/en rotation.
- ◆ Les blessures causées en changeant des pièces, lames ou accessoires.
- ◆ Les blessures dues à l'utilisation prolongée d'un outil. Une utilisation prolongée de l'outil nécessite des pauses régulières.
- ◆ Déficience auditive.
- ◆ Risques pour la santé causés par l'inhalation de poussières produites pendant l'utilisation de l'outil (exemple : travail avec du bois, surtout le chêne, le hêtre et les panneaux en MDF).

### Vibration

La valeur des émissions de vibration déclarée dans la section Déclaration/Données techniques de conformité a été mesurée selon une méthode d'essai standard fournie par la norme EN 60745 et peut être utilisée pour comparer un outil à un autre. Elle peut aussi être utilisée pour une évaluation préliminaire à l'exposition.

**Attention !** Selon la manière dont l'outil est utilisé, la valeur des émissions de vibration pendant l'utilisation de l'outil peut être différente de la valeur déclarée. Le niveau de vibration peut augmenter au-dessus du niveau établi.

Quand l'exposition aux vibrations est évaluée afin de déterminer les mesures de sécurité requises par la norme 2002/44/CE pour protéger les personnes utilisant régulièrement des outils électroportatif, il faut tenir compte d'une estimation de l'exposition aux vibrations, des conditions actuelles d'utilisation et de la manière dont l'outil est utilisé. Il faut aussi tenir compte de toutes les pièces du cycle de fonctionnement comme la durée pendant laquelle l'outil est arrêté et quand il fonctionne au ralenti, ainsi que la durée du déclenchement.

### Étiquettes de l'outil

Les symboles ci-dessous se trouvent sur l'outil :

**Attention !** Pour réduire le risque de blessures, l'utilisateur doit lire le manuel d'instructions.



### Consignes de sécurité supplémentaires concernant les batteries et les chargeurs

#### Batteries

- ◆ En aucun cas, n'essayez d'ouvrir l'outil.
- ◆ Ne mettez pas la batterie en contact avec l'eau.
- ◆ Ne rangez pas l'appareil dans des endroits où la température peut dépasser 40 °C.
- ◆ Ne chargez qu'à température ambiante comprise entre 10 °C et 40 °C.
- ◆ N'utilisez que le chargeur fourni avec l'outil.
- ◆ Pour la mise au rebut des batteries, suivez les instructions décrites à la section « Protection de l'environnement ».



**N'essayez pas de charger des batteries endommagées.**

## Chargeurs

- ◆ N'utilisez votre chargeur Stanley Fat Max que pour charger la batterie fournie avec l'outil. D'autres batteries pourraient exploser, provoquant des blessures et des dommages.
- ◆ Ne tentez jamais de recharger des batteries non rechargeables.
- ◆ Remplacez immédiatement les fils électriques endommagés.
- ◆ N'approchez pas le chargeur de l'eau.
- ◆ N'ouvrez pas le chargeur.
- ◆ Ne testez pas le chargeur.



Le chargeur est conçu pour être utilisé exclusivement à l'intérieur.



Lisez le manuel d'instruction avant d'utiliser l'outil.

## Sécurité électrique



Votre chargeur est doublement isolé et ne nécessite donc pas de câble de terre. Vérifiez toujours si la tension indiquée sur la plaque signalétique de l'appareil correspond à la tension de secteur. N'essayez jamais de remplacer le chargeur par une prise secteur.

- ◆ Si le câble d'alimentation est endommagé, il doit être remplacé par le fabricant ou par un Centre de réparation agréé Stanley Fat Max pour éviter les risques éventuels.

## Fonctionnalités

Cet outil présente la totalité ou une partie des caractéristiques suivantes.

1. Déclencheur à vitesse variable
2. Bouton de déblocage
3. Levier de blocage de lame
4. Fixation de lame
5. Semelle
6. Bouton de découpe
7. Batterie

## Figure A

8. Chargeur de batterie
9. Témoin de charge

## Assemblage

**Attention !** Avant l'assemblage, retirez la batterie de l'outil et assurez-vous que la lame est arrêtée. Les lames, après utilisation, peuvent être chaudes.

## Installation et retrait de la lame de scie (figure B)

- ◆ Maintenez la lame (10) avec les dents orientées vers l'avant.
- ◆ Soulevez le levier de blocage de lame (3).
- ◆ Insérez complètement la tige de la lame dans la fixation (4) le plus loin possible.
- ◆ Dégagez le levier.
- ◆ Pour retirer la lame (10), soulevez le levier de blocage (3) et sortez la lame.

## Installation et retrait de la batterie (figure C)

- ◆ Pour installer la batterie (7), alignez-la sur le boîtier de l'outil. Glissez la batterie dans le boîtier et poussez-la jusqu'à ce qu'elle se bloque en position.
- ◆ Pour retirer la batterie, poussez les boutons de dégagement (11) en extrayant simultanément la batterie hors du boîtier.

## Utilisation

**Attention !** Laissez l'outil fonctionner à sa propre vitesse. Ne le poussez pas au-delà de sa limite.

**Attention !** N'utilisez jamais l'outil sans la semelle, ou si celle-ci est desserrée.

## Charge de la batterie (figure A)

La batterie doit être chargée avant la première utilisation et chaque fois qu'elle ne produit plus une alimentation suffisante. La batterie peut chauffer pendant la charge. Ce phénomène est normal et n'indique pas un problème.

**Attention !** Ne chargez pas la batterie si la température ambiante est inférieure à 10 °C ou supérieure à 40 °C. Température de charge recommandée : environ 24 °C.

**Remarque : Le chargeur ne chargera pas le bloc-batteries si la température de l'élément est inférieure à environ 10 °C ou supérieure à 40 °C.**

**La batterie doit rester dans le chargeur et le chargeur commence automatiquement la charge quand la température de l'élément se réchauffe ou se refroidit.**

- ◆ Pour charger la batterie (7), insérez-la dans le chargeur (8). Il n'y a qu'un moyen d'insérer la batterie dans le chargeur. Ne forcez pas. Assurez-vous que la batterie est complètement enclenchée dans le chargeur.
- ◆ Branchez le chargeur sur l'alimentation secteur et mettez-le sous tension.

Le témoin de charge (9) clignote.

La charge est terminée quand le témoin de charge (9) reste allumé. Le chargeur et la batterie peuvent rester connectés en permanence. Le témoin s'éteint si le chargeur détecte qu'il faut compléter la charge de la batterie.

- ◆ Rechargez les batteries toutes les semaines. Il est préférable de ne pas ranger la batterie si elle est déchargée. La durée de vie de la batterie en serait limitée.

### Batterie en place dans le chargeur

Le chargeur et le bloc-batterie peuvent rester connectés en permanence avec le témoin allumé. Le chargeur maintient le bloc-batteries complètement chargé.

### Diagnostique du chargeur

Si le chargeur détecte des dommages ou une usure de la batterie, le témoin de charge (9) clignote rapidement en rouge.

Procédez comme suit :

- ◆ Réinsérez la batterie (7).
- ◆ Si les témoins de charge continuent de clignoter rapidement en rouge, déterminez à l'aide d'une autre batterie si le processus de charge fonctionne correctement.
- ◆ Si la batterie d'essai se charge correctement, la batterie d'origine est défectueuse et doit être renvoyée au centre de réparation pour être recyclée.
- ◆ Si la nouvelle batterie signale le même problème, demandez à un centre de réparation autorisé de tester le chargeur.

**Remarque :** la détection de la défaillance peut prendre jusqu'à 30 minutes. Si la batterie est trop chaude ou trop froide, le témoin alterne un clignotement lent, puis un clignotement rapide en rouge et ainsi de suite.

### Mise en marche et arrêt (figures D et E)

- ◆ Pour mettre l'outil sous tension, glissez le bouton de déblocage (2) vers la gauche, puis tirez sur le déclencheur à vitesse variable (1) et maintenez-le dans cette position.
- ◆ Pour arrêter l'outil, relâchez le déclencheur (1).

**Attention !** Ne mettez pas l'outil sous tension/hors tension quand il est sous charge.

**Attention !** Glissez toujours le bouton de déblocage (2) vers la droite en position verrouillée quand vous n'utilisez pas l'outil.

### Commande à vitesse variable

Le bouton marche/arrêt à vitesse variable offre le choix entre plusieurs vitesses pour améliorer considérablement la coupe dans différents matériaux.

- ◆ La vitesse est déterminée par la distance sur laquelle vous tirez le déclencheur (1).

### Découpe en biseau (figures F, G et H)

La semelle peut être installée à un angle de biseau gauche ou droit de 45°.

### Pour définir l'angle de coupe en biseau :

- ◆ Desserrez le boulon de retenue de la semelle (12) à l'aide de la clé hexagonale fournie pour déverrouiller la semelle (5).
- ◆ Faites glisser la semelle (5) vers l'avant pour la déverrouiller de la position d'arrêt 0°.
- ◆ Faites pivoter la semelle sur l'angle de biseau souhaité (figure G).
- ◆ Faites glisser la semelle vers l'arrière pour engager l'arrêt gauche ou droit.
- ◆ Serrez le boulon de retenue de la semelle (12) à l'aide de la clé hexagonale fournie pour verrouiller la semelle (5) dans la position requise.

**Remarque :** La semelle peut être mise en biseau à gauche ou à droite et possède des arrêts à 45°.

### Découpe (figure I)

La scie sauteuse permet trois types de découpe, deux coupes elliptiques et une coupe droite. La découpe elliptique, qui utilise un mouvement de lame plus agressif, permet de couper des matériaux tendres comme le bois ou le plastique. Le mouvement elliptique permet une coupe plus rapide mais moins lisse. Lors de la découpe, en plus d'un mouvement de haut en bas, la lame avance.

**Attention !** N'utilisez jamais un mode de coupe elliptique pour couper du métal ou des bois durs.

- ◆ Glissez le bouton de découpe (6) sur une des trois positions de découpe : 0, 1 ou 2.
- ◆ La position 0 correspond à une coupe droite.
- ◆ Les positions 1 et 2 correspondent à des coupes elliptiques.
- ◆ Plus le numéro de coupe augmente (1 à 2), plus la découpe sera agressive, la position 2 étant la plus agressive.

### Scier

- ◆ Tenez toujours l'outil avec les deux mains.
- ◆ Laissez la lame fonctionner librement pendant quelques secondes avant de commencer la découpe.
- ◆ N'appliquez qu'une légère pression sur l'outil pendant la découpe.
- ◆ Si possible, travaillez en appuyant la semelle (5) contre la pièce. Cela permet de mieux contrôler l'outil et d'atténuer les vibrations, mais évitez aussi d'endommager la lame.

### Conseils pour une utilisation optimale Généralités

- ◆ La vitesse rapide correspond à la coupe du bois, la vitesse moyenne à la coupe de l'aluminium et du PVC et la vitesse lente à la coupe des métaux autres que l'aluminium.

## Coupe de contreplaqué

Comme la lame coupe en montant, des éclats peuvent se former sur la surface proche de la semelle.

- ◆ Utilisez une lame à dents fines.
- ◆ Sciez à partir de l'arrière de la pièce.
- ◆ Pour limiter les éclats, serrez un morceau de bois ou de panneau dur des deux côtés de la pièce et sciez à travers cette épaisseur.

## Coupe du métal

Scier du métal prend beaucoup plus de temps que de scier du bois.

- ◆ Utilisez une lame adaptée à la coupe de métal. Utilisez une lame avec des dents fines pour les métaux ferreux et une lame plus grossière pour les métaux non ferreux.
- ◆ Pour couper une fine épaisseur de métal, serrez une pièce de bois à l'arrière de la pièce à couper et sciez à travers l'épaisseur.
- ◆ Répartissez un filet d'huile le long de la ligne de coupe.

## Accessoires

La qualité du travail réalisé par votre outil dépend des accessoires utilisés. Les accessoires Stanley Fat Max correspondent aux normes de qualité supérieure et sont conçus pour donner le meilleur résultat possible. En utilisant ces accessoires, votre outil vous donnera entière satisfaction.

Cet outil est compatible avec les lames à embout en U ou en T.

## Entretien

Votre outil a été conçu pour fonctionner pendant longtemps avec un minimum d'entretien. Un fonctionnement continu satisfaisant dépend d'un nettoyage régulier et d'un entretien approprié de l'outil.

**Attention !** Préalablement à toute opération d'entretien, éteignez et débranchez l'outil.

- ◆ Nettoyez régulièrement les orifices de ventilation de votre outil et chargeur à l'aide d'une brosse souple ou d'un chiffon sec.
- ◆ Nettoyez régulièrement le compartiment du moteur à l'aide d'un chiffon humide. N'utilisez pas de produit abrasif ou à base de solvant.
- ◆ Appliquez de temps en temps une goutte d'huile sur l'axe du rouleau de support de lame.

## Remplacement des prises secteur (RU et Irlande uniquement)

Si une nouvelle prise secteur doit être installée :

- ◆ Mettez au rebut la vieille prise.
- ◆ Branchez le fil brun dans la borne de la nouvelle prise.
- ◆ Branchez le fil bleu à la borne neutre.

**Attention !** Aucune connexion ne doit être faite à la borne de terre. Suivez les instructions de montage fournies avec les prises de bonne qualité. Fusibles recommandés : 5 A.

## Protection de l'environnement



Recyclage. Ce produit ne doit pas être jeté avec les déchets ménagers.

Si votre appareil/outil Stanley Fat Max doit être remplacé ou si vous ne l'utilisez plus, ne le jetez pas avec les ordures ménagères. Songez à la protection de l'environnement et recyclez-le.



La collecte séparée des produits et des emballages usagés permet de recycler et de réutiliser des matériaux.

La réutilisation de matériaux recyclés évite la pollution de l'environnement et réduit la demande de matières premières.

Des réglementations locales peuvent stipuler la collecte séparée des produits électriques et des produits ménagers, dans des déchetteries municipales ou par le revendeur lorsque vous achetez un nouveau produit.

Stanley Europe offre une solution permettant de recycler les produits Stanley Fat Max lorsqu'ils ont atteint la fin de leur cycle de vie. Pour pouvoir profiter de ce service, veuillez retourner votre produit à un réparateur agréé qui se chargera de le collecter pour nous.

Pour connaître l'adresse du réparateur agréé le plus proche de chez vous, contactez le bureau Stanley Europe à l'adresse indiquée dans ce manuel. Vous pourrez aussi trouver une liste de réparateurs agréés Stanley Europe et de plus amples détails à propos de notre service après-vente sur le site Internet : [www.2helpU.com](http://www.2helpU.com)

## Batteries



Les batteries Stanley Fat Max peuvent être rechargées à n'importe quel moment. Quand elles sont hors d'usage, jetez-les en respectant les normes de protection de l'environnement.

- ◆ Déchargez complètement la batterie, puis retirez-la de l'outil.
- ◆ Les batteries NiCd, NiMH et Li-Ion sont recyclables. Déposez-les chez un technicien d'entretien agréé ou dans un centre de recyclage local.



## Données techniques

FMC650 (H1)		
Tension	$V_{dc}$	18
Vitesse à vide	$min^{-1}$	0 - 2500
Course	mm	19
Profondeur de coupe maximum		
Bois	mm	55
Acier	mm	8
Aluminium	mm	20
Poids	kg	2.62

Chargeur 905765** TYP 1		
Tension d'entrée	$V_{AC}$	220-240
Tension de sortie	$V_{DC}$	20 (Max)
Courant	A	2
Temps de charge approximatif	min	120

Batterie FMC688L		
Tension	$V_{DC}$	18
Capacité	Ah	4.0
Type		Li-Ion

$L_{pA}$ (pression sonore) 84.5 dB(A), incertitude (K) 3 dB(A)
$L_{WA}$ (pression sonore) 95.5 dB(A), incertitude (K) 3 dB(A)
Valeurs totales des vibrations (somme vectorielle triaxiale) selon la norme EN 60745 :
Coupe, planches ( $a_{h,B}$ ) 6 $m/s^2$ , incertitude (K) 1.5 $m/s^2$
Coupe métal ( $a_{h,M}$ ) 4.3 $m/s^2$ , incertitude (K) 1.5 $m/s^2$

## Déclaration de conformité CE

CONSIGNES DE MACHINERIE



Scie sauteuse sans fil - FMC650

Stanley Europe confirme que les produits décrits dans les « Données techniques » sont conformes aux normes :

2006/42/CE, EN 60745-1, EN 60745-2-11

Ces produits sont conformes aux normes 2004/108/CE et 2011/65/UE. Pour plus de détails, veuillez contacter Stanley Europe à l'adresse suivante ou reportez-vous au dos du

manuel.

Le soussigné est responsable des données de la fiche technique et fait cette déclaration au nom de Stanley Europe.

Kevin Hewitt

Vice-Président - ingénierie internationale

Stanley Europe, Egide Walschaertsstraat14-18,

2800 Malines, Belgique

23/12/2013

## Garantie

Stanley Europe assure la qualité de ses produits et offre aux utilisateurs professionnels une garantie très élargie. Ce certificat de garantie est un document supplémentaire et ne peut en aucun cas se substituer à vos droits contractuels en tant qu'utilisateur privé non professionnel. La garantie est valable sur tout le territoire des États Membres de l'Union Européenne et de la Zone de Libre Échange Européenne.

### GARANTIE TOTALE UN AN

Si un produit Stanley Fat Max s'avère défectueux en raison de matériaux en mauvais état ou d'une erreur humaine dans les 12 mois suivant la date d'achat, Stanley Europe garantit le remplacement gratuit ou – à sa discrétion - des pièces défectueuses si :

- ◆ Le produit a été correctement utilisé et a été utilisé en respectant les instructions du manuel.
- ◆ L'usure du produit est normale ;
- ◆ Les réparations ont été effectuées par des personnes agréées ;
- ◆ Une preuve d'achat est donnée ;
- ◆ Le produit Stanley Fat Max est réexpédié avec tous les composants d'origine.

Pour toute réclamation, contactez votre revendeur ou recherchez l'adresse du réparateur agréé par Stanley Fat Max le plus proche de chez vous dans le catalogue Stanley Fat Max, ou bien contactez le bureau local Stanley à l'adresse indiquée dans ce manuel. Une liste de réparateurs agréés Fat Max et de plus amples détails sur notre service après-vente sont disponibles sur le site Internet [www.stanley.eu/3](http://www.stanley.eu/3)

## Uso previsto

Il seghetto da traforo Stanley Fat Max è stato progettato per segare legno, plastica e lamiera. Questo elettroutensile è stato progettato per uso professionale e privato, e per utenti non professionisti.

## Istruzioni di sicurezza

### Avvisi di sicurezza generici per gli elettroutensili



**Attenzione!** Leggere tutti gli avvisi di sicurezza e tutte le istruzioni. La mancata osservazione dei presenti avvisi e istruzioni potrebbe causare scosse elettriche, incendi e/o infortuni gravi.

**Conservare tutte le istruzioni e le avvertenze per futura consultazione.** Il termine "elettroutensile" che ricorre in tutti gli avvisi seguenti si riferisce ad utensili elettrici con o senza filo.

#### 1. Sicurezza nella zona di lavoro

- a. **Mantenere pulita e ben illuminata la zona di lavoro.** Disordine o scarsa illuminazione possono causare incidenti.
- b. **Evitare d'impiegare gli elettroutensili in ambienti esposti al rischio di esplosione, ad esempio in presenza di liquidi, gas o polveri infiammabili.** Gli elettroutensili producono scintille che possono far infiammare la polvere o i fumi.
- c. **Mantenere lontani bambini e osservatori mentre si usa l'elettroutensile.** Eventuali distrazioni possono comportare la perdita del controllo dell'elettroutensile.

#### 2. Sicurezza elettrica

- a. **Le spine elettriche degli elettroutensili devono essere adatte alla presa. Evitare assolutamente di modificare la spina elettrica. Non usare adattatori con elettroutensili provvisti di messa a terra.** L'uso di spine inalterate e delle prese corrispondenti riduce il rischio di scosse elettriche.
- b. **Evitare il contatto fisico con superfici collegate a terra, come tubi, radiatori, forni e frigoriferi.** Un corpo collegato a terra è esposto maggiormente al rischio di scosse elettriche.
- c. **Custodire gli elettroutensili al riparo dalla pioggia o dall'umidità.** L'eventuale infiltrazione di acqua in un elettroutensile va ad aumentare il rischio di scosse elettriche.

- d. **Non utilizzare il cavo in modo improprio. Non usare il cavo per trasportare o trainare l'elettroutensile e non tirarlo per estrarre la spina dalla presa di corrente. Mantenere il cavo al riparo da calore, olio, bordi taglienti e/o da parti in movimento.** I cavi danneggiati o aggrovigliati aumentano il rischio di scosse elettriche.
- e. **Se l'elettroutensile viene adoperato all'aperto, usare esclusivamente prolunghie omologate per l'impiego all'esterno.** Un cavo adatto per uso esterno riduce il rischio di scosse elettriche.
- f. **Se non è possibile evitare di lavorare in una zona umida, usare un'alimentazione elettrica protetta da un dispositivo a corrente residua (RCD).** L'uso di un dispositivo RCD riduce il rischio di scosse elettriche.

#### 3. Sicurezza delle persone

- a. **È importante concentrarsi su ciò che si sta facendo e maneggiare con giudizio l'elettroutensile. Non adoperare l'elettroutensile se si è stanchi o sotto l'effetto di stupefacenti, alcol o medicinali.** Un attimo di distrazione può causare gravi infortuni personali.
- b. **Utilizzare un equipaggiamento di protezione personale. Indossare sempre occhiali di sicurezza.** Se si avrà cura d'indossare l'equipaggiamento protettivo necessario, ad esempio una maschera antipolvere, delle calzature antiscivolo, un casco o delle otoprotezioni, si ridurrà il rischio di infortuni.
- c. **Impedire l'avviamento involontario. Accertarsi che l'interruttore di accensione sia regolato su spento prima di collegare l'elettroutensile all'alimentazione elettrica e/o al battery pack, di prenderlo in mano o di trasportarlo.** Per non esporsi al rischio di incidenti, non trasportare gli elettroutensili tenendo le dita sull'interruttore oppure, se sono collegati a un'alimentazione elettrica, con l'interruttore acceso.
- d. **Prima di accendere un elettroutensile, togliere eventuali chiavi o attrezzi di regolazione.** Un utensile o una chiave lasciati in un componente mobile dell'elettroutensile potranno causare lesioni.
- e. **Non piegarsi eccessivamente in avanti. Mantenere sempre un buon equilibrio evitando posizioni instabili.** In questo modo è possibile controllare meglio l'elettroutensile in situazioni inaspettate.
- f. **Vestirsi adeguatamente. Evitare di indossare indumenti larghi o gioielli. Tenere capelli, capi di vestiario e guanti lontani da parti in movimento.** Capi di vestiario larghi, gioielli o capelli lunghi potrebbero impigliarsi nei componenti in movimento.

- g. Se gli elettrodomestici sono provvisti di attacchi per il collegamento di dispositivi di aspirazione o di raccolta della polvere, assicurarsi che questi siano installati e utilizzati correttamente.** L'impiego di dispositivi di raccolta della polvere diminuisce i rischi relativi alle polveri.
- 4. Uso e cura degli elettrodomestici**
- a. Non sovraccaricare l'elettrodomestico. Usare l'elettrodomestico adatto al lavoro da eseguire.**  
Utilizzando l'elettrodomestico adatto si potrà lavorare meglio e con maggiore sicurezza alla potenza nominale prevista.
- b. Non utilizzare elettrodomestici con interruttori difettosi.**  
Un elettrodomestico che non può essere controllato mediante l'interruttore è pericoloso e deve essere riparato.
- c. Scollegare la spina dalla presa di corrente e/o il battery pack dall'elettrodomestico prima di regolarlo, di sostituire gli accessori o di riparlo.** Queste precauzioni di sicurezza riducono la possibilità che l'elettrodomestico sia messo in funzione inavvertitamente.
- d. Quando non sono usati, gli elettrodomestici devono essere custoditi fuori della portata dei bambini. Non consentire l'uso dell'elettrodomestico a persone inesperte o che non abbiano letto le presenti istruzioni.** Gli elettrodomestici risultano pericolosi se usati da persone inesperte.
- e. Sottoporre gli elettrodomestici alle necessarie procedure di manutenzione. Verificare che le parti mobili siano bene allineate e non inceppate, che non vi siano componenti rotti e che non sussistano altre condizioni che possono compromettere il funzionamento dell'elettrodomestico. In caso di danni, riparare l'elettrodomestico prima dell'uso.** La scarsa manutenzione causa molti incidenti.
- f. Mantenere affilati e puliti gli utensili da taglio.** Se sottoposti alla giusta manutenzione, gli strumenti da taglio con taglienti affilati s'inceppano meno frequentemente e sono più facili da manovrare.
- g. Utilizzare l'elettrodomestico, gli accessori e le punte in conformità delle presenti istruzioni, tenendo conto delle condizioni di lavoro e del lavoro da completare.**  
L'impiego dell'elettrodomestico per usi diversi da quelli consentiti può dar luogo a situazioni pericolose.
- 5. Uso e cura degli elettrodomestici a batteria**
- a. Ricaricare solo usando il caricabatterie prescritto dal fabbricante.** Un caricabatterie idoneo a un determinato battery pack potrebbe essere causa di incendio se usato con un battery pack diverso.
- b. Usare gli elettrodomestici con gli appositi battery pack.**  
L'impiego di battery pack di altro tipo potrebbe creare il rischio di lesioni e di incendi.
- c. Quando il battery pack non viene usato, tenerlo lontano da altri oggetti metallici tipo graffette, monete, chiavi, chiodi, viti o altri oggetti metallici di piccole dimensioni, che potrebbero cortocircuitare un morsetto con l'altro.** Se i morsetti della batteria vengono cortocircuitati si potrebbero causare ustioni o un incendio.
- d. A seguito di un uso improprio, la batteria potrebbe espellere del liquido; evitare ogni contatto. In caso di contatto accidentale, lavare con acqua. Se il liquido viene a contatto degli occhi, rivolgersi anche a un medico.** Il liquido espulso dalla batteria potrebbe causare irritazioni o ustioni.
- 6. Riparazioni**
- a. Fare riparare l'elettrodomestico solo ed esclusivamente da personale specializzato e solo impiegando pezzi di ricambio originali, onde non alterarne la sicurezza.**

### Altri avvisi di sicurezza per gli elettrodomestici



**Attenzione!** Avvisi di sicurezza addizionali per i segchetti da traforo e le seghe alternative

- ◆ **Tenere l'elettrodomestico afferrando le impugnature isolate se vi è la possibilità che l'accessorio di taglio possa venire a contatto di cavi nascosti o del filo di alimentazione.** Il contatto tra l'accessorio di taglio e un filo sotto tensione mette sotto tensione le parti metalliche esposte dell'elettrodomestico e potrebbe esporre l'operatore a scosse elettriche.
- ◆ **Usare morsetti o altri metodi pratici per fissare e sorreggere il pezzo in lavorazione su una base stabile.**  
Un pezzo tenuto in mano o contro il corpo, può diventare poco stabile e causare la perdita di controllo.
- ◆ **Tenere le mani lontane dalla zona di taglio.** Non allungare mai le mani sotto il pezzo. Non infilare le dita o il pollice in prossimità della lama alternativa e del blocco lama. Non stabilizzare il seghetto afferrando la guida.
- ◆ **Tenere affilate le lame.** Delle lame spuntate o danneggiata possono causare la deviazione o lo spegnimento del seghetto sotto sforzo. Usare sempre il corretto tipo di lama per il materiale da tagliare.
- ◆ **Quando si taglia un tubo o una conduttura, accertarsi sempre che al loro interno non vi siano acqua o fili elettrici.**
- ◆ **Non toccare il pezzo o la lama subito dopo aver fatto funzionare l'elettrodomestico, dato che potrebbero essere molto caldi.**
- ◆ **Essere consapevoli che vi possono essere dei pericoli nascosti: prima di praticare tagli in pareti, pavimenti o soffitti, controllare l'ubicazione di cablaggi e tubazioni.**

- ◆ **La lama continua a muoversi dopo aver rilasciato l'interruttore.** Spegnerne sempre l'elettrotensile e attendere che la lama si fermi completamente prima di posarlo.

**Attenzione!** Il contatto o l'inalazione della polvere generata dal taglio potrebbe nuocere alla salute dell'operatore e di eventuali astanti. Indossare una mascherina antipolvere specifica per polveri e fumi e controllare che anche le persone presenti o in arrivo nella zona di lavoro siano adeguatamente protette.

- ◆ L'uso previsto è descritto nel presente manuale d'uso. Se questo elettrotensile viene usato con accessori o per usi diversi da quelli raccomandati nel presente manuale d'uso, si potrebbero verificare lesioni personali e/o danni alle cose.

### Sicurezza altrui

- ◆ Questo elettrotensile non è stato progettato per impiego da parte di persone (o bambini) portatrici di handicap fisici, psichici o sensoriali o che non abbiano la dovuta esperienza o conoscenza, a meno che non siano seguite o opportunamente istruite sul suo impiego da parte di una persona responsabile della loro sicurezza.
- ◆ Controllare che i bambini non giochino con l'elettrotensile.

### Rischi residui.

Quando si usa l'elettrotensile, possono esservi altri rischi residui che possono non essere stati contemplati negli avvisi di sicurezza allegati. Tali rischi possono sorgere a seguito di un uso prolungato o improprio, ecc.

Perfino adottando gli appositi regolamenti di sicurezza e utilizzando i dispositivi di sicurezza, certi rischi residui non possono essere evitati. Essi comprendono:

- ◆ Lesioni causate o subite a seguito del contatto con parti rotanti/in movimento.
- ◆ Lesioni causate o subite durante la sostituzione di parti, lame o accessori.
- ◆ Lesioni causate dall'impiego prolungato di un elettrotensile. Quando si usa qualsiasi elettrotensile per lunghi periodi, accertarsi di fare regolarmente delle pause.
- ◆ Problemi di udito.
- ◆ Rischi per la salute causati dall'aspirazione di polvere generata dall'utilizzo dell'elettrotensile (ad esempio quando si lavora con il legno, in modo particolare quello di quercia, faggio o l'MDF.)

### Vibrazioni

I valori dichiarati delle emissioni di vibrazioni al paragrafo Dati tecnici e nella Dichiarazione di conformità del presente manuale sono stati misurati in base al metodo di test standard previsto dalla normativa EN 60745 e possono essere usati come parametri di confronto tra due utensili. Il valore delle emissioni di vibrazioni dichiarato può anche essere usato come valutazione preliminare dell'esposizione.

**Attenzione!** Il valore delle emissioni di vibrazioni durante l'impiego effettivo dell'elettrotensile può variare da quello dichiarato a seconda delle modalità d'uso. Il livello delle vibrazioni può aumentare oltre quello dichiarato.

Quando si valuta l'esposizione alle vibrazioni per determinare le misure di sicurezza richieste, in conformità alla normativa 2002/44/CE e destinata alla protezione delle persone che usano regolarmente gli elettrotensili nello svolgimento delle proprie mansioni, è necessario prendere in considerazione le condizioni effettive di utilizzo e il modo in cui l'utensile è usato, oltre a tenere in conto tutte le componenti del ciclo operativo, vale a dire i periodi in cui l'elettrotensile è spento, quelli in cui è acceso, ma a riposo e quelli in cui è effettivamente utilizzato.

### Etichette sull'elettrotensile

Sull'elettrotensile appaiono i seguenti simboli:



**Attenzione!** Per ridurre il rischio di infortuni, l'utente deve leggere il manuale d'uso.

### Istruzioni di sicurezza aggiuntive per batterie alimentatori

#### Batterie

- ◆ Non tentare di aprirle per qualsiasi ragione.
- ◆ Non lasciare che la batteria si bagni.
- ◆ Non riporre in luoghi dove la temperatura potrebbe superare 40 °C.
- ◆ Caricare solo a temperature ambiente tra 10 °C e 40 °C.
- ◆ Caricare solo usando il caricabatterie fornito con l'elettrotensile.
- ◆ Quando si smaltiscono le batterie, seguire le istruzioni riportate al capitolo "Protezione dell'ambiente".



**Non tentare di caricare delle batterie danneggiate.**

### Caricabatterie

- ◆ Usare il caricabatterie Stanley Fat Max solo per caricare la batteria nell'apparecchio con il quale è stato fornito. Altre batterie potrebbero scoppiare causando lesioni alle persone e danni.
- ◆ Non tentare mai di ricaricare batterie non ricaricabili.
- ◆ Fare sostituire immediatamente i fili di alimentazione difettosi.
- ◆ Non lasciare che il caricabatterie si bagni.
- ◆ Non aprire il caricabatterie.
- ◆ Non collegare il caricabatterie a sonde.



Il caricabatterie può solo essere usato all'interno.



Leggere il presente manuale d'uso prima dell'impiego.

### Sicurezza elettrica



Il doppio isolamento di cui è provvisto il caricabatterie rende superfluo il filo di terra. Controllare sempre che la tensione di rete corrisponda a quella indicata sulla targhetta dei dati tecnici. Non tentare mai di sostituire il caricabatterie con una normale spina elettrica.

- ◆ In caso di danneggiamento del filo di alimentazione, è necessario farlo riparare dal fabbricante o presso un centro assistenza Stanley Fat Max autorizzato in modo da evitare eventuali pericoli.

### Caratteristiche

Questo elettroutensile presenta alcune o tutte le seguenti caratteristiche.

1. Interruttore a grilletto a velocità variabile
2. Pulsante di sicurezza
3. Leva di bloccaggio lama seghetto
4. Blocca lama
5. Piastra piedino scorrimento lama
6. Pulsante selezione tipo di taglio
7. Batteria

### fig. A

8. Caricabatterie
9. Indicatore di carica

### Montaggio

**Attenzione!** Prima dell'assemblaggio, togliere la batteria dall'elettroutensile e accertarsi che la lama del seghetto si sia fermata. Le lame del seghetto usate possono essere calde.

### Montaggio e smontaggio della lama del seghetto (fig. B)

- ◆ Tenere la lama del seghetto (10) con i denti rivolti in avanti.
- ◆ Sollevare la leva di bloccaggio della lama del seghetto (3).
- ◆ Infilare completamente il gambo della lama del seghetto (4) nel relativo morsetto.
- ◆ Rilasciare la leva.
- ◆ Per togliere la lama del seghetto (10), sollevare la leva di bloccaggio (3) ed estrarre la lama.

### Montaggio e rimozione della batteria (fig. C)

- ◆ Per montare la batteria (7), allinearla all'apposito vano sull'elettroutensile. Infilare la batteria nell'apposito vano e premerla fino a quando si aggancia in sede.
- ◆ Per rimuovere la batteria, premere i pulsanti di rilascio (11) estraendo al tempo stesso la batteria dall'apposito vano.

### Utilizzo

**Attenzione!** Lasciare che l'elettroutensile funzioni al suo ritmo. Non sovraccaricarlo.

**Attenzione!** Non usare mai l'elettroutensile quando il piedino scorrimento lama è allentato o è stato smontato.

### Carica della batteria (fig. A)

La batteria deve essere caricata prima dell'impiego iniziale e quando non eroga una potenza sufficiente per lavori che prima era possibile eseguire facilmente. Durante la carica la batteria potrebbe riscaldarsi. Si tratta di un fatto normale che non indica che vi è un problema.

**Attenzione!** Non caricare la batteria a temperature ambiente inferiori a 10 °C o superiori a 40 °C. Temperatura di carica consigliata: 24 °C circa.

**Nota: Il caricabatterie non carica un battery pack se la temperatura della cella è inferiore a 10 °C o superiore a 40 °C.**

**La batteria deve essere lasciata nel caricabatterie che incomincerà a caricarla automaticamente quando la temperatura della cella aumenta o diminuisce.**

- ◆ Per caricare la batteria (7), inserirla nel caricabatterie (8). La batteria può essere inserita nel caricabatterie solo in un verso. Non forzarlo. Accertarsi che la batteria sia completamente insediata nel caricabatterie.
- ◆ Collegare il caricabatterie alla presa di corrente.

L'indicatore di carica (9) lampeggia.

La carica è completa quando l'indicatore di carica (9) rimane acceso di continuo. Il caricabatterie e la batteria possono essere lasciati collegati indefinitamente alla presa di corrente. Il LED si accende quando il caricabatterie di tanto in tanto rabbocca la carica della batteria.

- ◆ Caricare le batterie esauste entro 1 settimana. La durata delle batterie diminuisce parecchio se sono conservate scariche.

### Batteria lasciata nel caricabatterie

Il caricabatterie e il battery pack possono essere lasciati collegati con il LED sempre acceso. Il caricabatterie manterrà il battery pack come nuovo e completamente carico.

### Diagnostica del caricabatterie

Se il caricabatterie rileva che la batteria è debole o danneggiata, fa lampeggiare velocemente in rosso l'indicatore di carica (9). Procedere come descritto di seguito:

- ◆ Inserire di nuovo la batteria (7)..
- ◆ Se gli indicatori di carica continuano a lampeggiare in rosso a un ritmo veloce, usare una batteria diversa per determinare se il ciclo di carica funziona correttamente.
- ◆ Se la batteria di ricambio si carica correttamente, significa che quella originale è difettosa e che deve essere rispedita a un centro di assistenza per essere riciclata.
- ◆ Se anche con la nuova batteria si ottengono i medesimi risultati dati da quella vecchia, portare il caricabatterie presso un centro di assistenza autorizzato per essere sottoposto a controllo.

**Nota: ci possono volere anche 30 minuti per determinare se la batteria è difettosa. Se la batteria è troppo calda o troppo fredda, il LED lampeggia alternamente in rosso a un ritmo veloce e lento con un lampeggio veloce e uno lento ripetuti nel tempo.**

### Accensione e spegnimento (fig. D ed E)

- ◆ Per accendere l'elettrotensile, far scorrere l'interruttore di sicurezza (2) verso sinistra e tirare e tenere tirato l'interruttore a grilletto a velocità variabile (1).
- ◆ Per spegnere l'elettrotensile, rilasciare l'interruttore a grilletto (1).

**Attenzione!** Non accendere o spegnere l'elettrotensile quando è sotto carico.

**Attenzione!** Quando l'elettrotensile non è utilizzato, far sempre scorrere l'interruttore di sicurezza (2) verso destra, nella posizione di bloccaggio.

### Comando velocità variabile

L'interruttore di accensione a velocità variabile consente di scegliere velocità diverse per migliorare notevolmente il ritmo di taglio con materiali diversi.

- ◆ La velocità è determinata dalla pressione esercitata sull'interruttore a grilletto (1).

### Taglio a unghia (fig. F, G e H)

La piastra del piedino scorrimento lama può essere regolata per il taglio a unghia di 45° verso destra o verso sinistra.

### Impostazione dell'angolo di smusso:

- ◆ Allentare il bullone di ritenuta del piedino scorrimento lama (12) con la chiave esagonale fornita per sbloccare la relativa piastra (5).
- ◆ Infilare la piastra del piedino scorrimento lama (5) in avanti per rilasciarla dal fermo di 0°.
- ◆ Ruotare la piastra del piedino scorrimento lama in base all'angolo di smusso richiesto (fig. G).
- ◆ Far scorrere all'indietro la piastra del piedino scorrimento lama per innestare il fermo di sinistra o di destra.
- ◆ Serrare il bullone di ritenuta del piedino scorrimento lama (12) con la chiave esagonale fornita per bloccare la relativa piastra (5) nella posizione richiesta.

**Nota:** Il piedino scorrimento lama può essere inclinato sia verso sinistra sia verso destra e ha un fermo a 45°.

### Tipo di taglio (fig. I)

Questo seghetto da traforo può eseguire tre tipi di taglio: due orbitali e uno diritto. Durante il taglio orbitale, il movimento della lama è più aggressivo ed è stato progettato per segare materiali morbidi tipo il legno o la plastica. Il taglio orbitale consente di tagliare il materiale in modo più veloce, ma meno uniforme. Nel caso del taglio orbitale, durante la corsa di taglio, la lama si sposta in avanti oltre a sollevarsi e ad abbassarsi.

**Attenzione!** Non segare mai il metallo o i legni duri con il taglio orbitale.

- ◆ Far scorrere il pulsante di selezione del tipo di taglio (6) tra le tre posizioni di taglio: 0, 1 e 2.
- ◆ La posizione 0 corrisponde al taglio diritto.
- ◆ Le posizioni 1 e 2 corrispondono al taglio orbitale.
- ◆ L'aggressività del taglio aumenta quando la leva viene spostata da uno a due e la posizione due è quella che presenta un taglio più aggressivo.

### Segatura

- ◆ Tenere sempre l'elettrotensile con entrambe le mani.
- ◆ Prima di iniziare a tagliare, lasciare che la lama ruoti liberamente per alcuni secondi.
- ◆ Esercitare solo una leggera pressione sull'elettrotensile mentre si esegue il taglio.
- ◆ Se possibile, lavorare con la piastra del piedino scorrimento lama (5) premuta contro il pezzo. In questo modo si esercita un maggior controllo sull'elettrotensile, riducendone al tempo stesso le vibrazioni e si evita anche che la lama subisca danni.

### Consigli per un utilizzo ottimale In generale

- ◆ Usare una velocità alta per il legno, media per l'alluminio e il PVC e bassa per i metalli ad eccezione dell'alluminio.

## Segatura dei laminati

Dato che la lama taglia sulla corsa verso l'alto, si potrebbe verificare la scheggiatura della superficie più vicina al piedino scorrimento lama.

- ◆ Usare una lama da seghetto con denti sottili.
- ◆ Segare dalla parte posteriore del pezzo da lavorare.
- ◆ Per contenere al massimo la scheggiatura, fissare con un morsetto un pezzo di legno o di cartone da ambo i lati del pezzo da lavorare e segare i tre strati insieme.

## Segatura del metallo

Tenere presente che la segatura del metallo richiede molto più tempo di quella del legno.

- ◆ Usare una lama da seghetto idonea alla segatura del metallo. Usare una lama a denti sottili per i metalli ferrosi e una con i denti più grossi per quelli non ferrosi.
- ◆ Quando si taglia un foglio di lamiera sottile, fissare con dei morsetti un pezzo di legno sulla superficie posteriore del pezzo da lavorare e tagliare i due strati insieme.
- ◆ Spalmare un velo d'olio lungo la traccia del taglio.

## Accessori

Le prestazioni dell'elettrotensile dipendono dall'accessorio usato. Gli accessori Stanley Fat Max sono stati fabbricati in base a standard qualitativi elevati e sono stati progettati per ottenere le migliori prestazioni dall'elettrotensile. Usando questi accessori si otterrà il meglio dall'elettrotensile. Questo elettrotensile può essere utilizzato con lame da seghetto con gambo a "U" o a "T".

## Manutenzione

Questo elettrotensile è stato progettato per funzionare a lungo con una manutenzione minima. Per ottenere prestazioni sempre soddisfacenti occorre avere cura dell'elettrotensile e sottoporlo a pulizia periodica.

**Attenzione!** Prima di eseguire operazioni di manutenzione, spegnere l'elettrotensile ed estrarre la spina dalla presa di corrente.

- ◆ Pulire regolarmente le prese di ventilazione dell'elettrotensile e del caricabatterie con un pennello o con un panno morbido e asciutto.
- ◆ Il vano del motore deve essere pulito regolarmente con un panno umido. Non usare materiali abrasivi o detersivi a base di solventi.
- ◆ Versare di tanto in tanto una goccia d'olio sull'asse del rullo di supporto della lama.

## Sostituzione della spina (solo Regno Unito e Irlanda)

Se è necessario montare una nuova spina:

- ◆ smaltire in tutta sicurezza quella vecchia.
- ◆ Collegare il filo marrone al morsetto sotto tensione della nuova spina.

- ◆ Collegare il filo blu al morsetto neutro.

**Attenzione!** Non effettuare nessun collegamento sul morsetto di terra. Seguire le istruzioni fornite con le spine di buona qualità. Fusibile raccomandato: 5 A.

## Protezione dell'ambiente



Raccolta differenziata. Questo prodotto non deve essere smaltito con i normali rifiuti domestici.

Nel caso in cui l'elettrotensile Stanley Fat Max debba essere sostituito o non sia più necessario, non smaltirlo con i normali rifiuti domestici. Metterlo da parte per la raccolta differenziata.



La raccolta differenziata dei prodotti e degli imballaggi utilizzati consente il riciclaggio dei materiali e il loro continuo utilizzo.

Il riutilizzo dei materiali riciclati favorisce la protezione dell'ambiente prevenendo l'inquinamento e riduce il fabbisogno di materie prime.

Seguire la regolamentazione locale per la raccolta differenziata dei prodotti elettrici che può prevedere punti di raccolta o la consegna dell'elettrotensile al rivenditore presso il quale viene acquistato un nuovo prodotto.

Stanley Europe offre ai propri clienti la possibilità di riciclare i prodotti Stanley Fat Max che hanno esaurito la loro vita di servizio. Per usufruire di tale servizio, è sufficiente restituire il prodotto a qualsiasi tecnico autorizzato, incaricato della raccolta per conto dell'azienda.

Per individuare il tecnico autorizzato più vicino, rivolgersi alla sede Stanley Europe locale, presso il recapito indicato nel presente manuale. Altrimenti, un elenco completo di tutti i tecnici autorizzati Stanley Europe e i dettagli completi sui contatti e i servizi post-vendita sono disponibili su Internet all'indirizzo: [www.2helpU.com](http://www.2helpU.com)

## Batterie



Le batterie Stanley Fat Max possono essere ricaricate molte volte. Alla fine della loro vita utile, smaltire le batterie in conformità alle norme ambientali.

- ◆ Scaricare completamente la batteria e toglierla dall'elettrotensile.
- ◆ Le batterie NiCd, NiMH e al litio-ionio sono riciclabili. Portarle presso un tecnico autorizzato o il centro di riciclaggio di zona.



## Dati tecnici

FMC650 (H1)		
Tensione	$V_{dc}$	18
Regime a vuoto	$min^{-1}$	0 - 2500
Lunghezza corsa	mm	19
Profondità max. del taglio		
Legno	mm	55
Acciaio	mm	8
Alluminio	mm	20
Peso	kg	2.62

Caricabatterie 905765** TYP 1		
Tensione in ingresso	$V_{AC}$	220-240
Tensione erogata	$V_{DC}$	20 (max)
Corrente	A	2
Tempo di carica approssimativo	min	120

Batteria FMC688L		
Tensione	$V_{DC}$	18
Capacità	A/h	4.0
Tipo		Litio-ionio

$L_{pA}$ (pressione sonora) 84.5 dB(A), incertezza (K) 3 dB(A)
$L_{WA}$ (pressione acustica) 95.5 dB(A), incertezza (K) 3 dB(A)
<b>Valori totali vibrazioni (somma vettoriale triassiale) in base a EN 60745:</b>
Taglio di assi ( $a_{h,B}$ ) 6 $m/s^2$ , incertezza (K) 1.5 $m/s^2$
Taglio della lamiera ( $a_{h,M}$ ) 4.3 $m/s^2$ , incertezza (K) 1.5 $m/s^2$

## Dichiarazione di conformità CE

DIRETTIVA SUI MACCHINARI



Seghetto da traforo cordless - FMC650

Stanley Europe dichiara che questi prodotti descritti al paragrafo "Dati tecnici" sono conformi a:

2006/42/CE, EN 60745-1, EN 60745-2-11

Questi prodotti sono conformi alla Direttiva 2004/108/CE e 2011/65/UE. Per ulteriori informazioni contattare Stanley Europe al seguente indirizzo oppure consultare l'ultima di

copertina del manuale.

Il sottoscritto è responsabile della redazione di questo documento tecnico e rilascia questa dichiarazione per conto di

Stanley Europe.

Kevin Hewitt

Vice-President Global Engineering  
Stanley Europe, Egide Walschaertsstraat 14-18,

2800 Mechelen, Belgio

23/12/2013

## Garanzia

Certa della qualità dei suoi prodotti, Stanley Europe offre una garanzia eccezionale agli utenti professionali di questo prodotto. Il presente certificato di garanzia è complementare ai diritti contrattuali come utente privato non professionale e non li pregiudica in alcun modo. La garanzia è valida entro il territorio degli Stati membri dell'Unione Europea e dell'EFTA (European Free Trade Area).

### GARANZIA TOTALE DI UN ANNO

Se un prodotto Stanley Fat Max risulta difettoso per qualità del materiale, della costruzione o per mancata conformità entro 12 mesi dalla data di acquisto, Stanley Europe garantisce, a sua discrezione, la sostituzione gratuita di tutte le parti difettose oppure la sostituzione gratuita del prodotto sempre che:

- ◆ il prodotto non sia stato usato in modo improprio ma in conformità al manuale d'uso;
- ◆ il prodotto sia stato usato in modo ragionevole;
- ◆ il prodotto non sia stato sottoposto a riparazioni da parte di persone non autorizzate;
- ◆ venga fornita la prova comprovante l'acquisto;
- ◆ il prodotto Stanley Fat Max venga reso completo con tutti i componenti originali

Se si desidera sporgere reclamo, rivolgersi al rivenditore di zona oppure controllare l'indirizzo del tecnico Stanley autorizzato più vicino nel catalogo Stanley Fat Max o contattare la sede Stanley Fat Max presso il recapito indicato nel presente manuale. Un elenco completo di tutti i tecnici autorizzati Stanley Fat Max e i dettagli completi sui servizi post-vendita sono disponibili su Internet all'indirizzo: [www.stanley.eu/3](http://www.stanley.eu/3)

## Beoogd gebruik

De Stanley Fat Max-decoupeerzaag is ontworpen voor het zagen van hout, kunststof en plaatmetaal. Dit gereedschap is bedoeld voor professionele en private, niet-professionele gebruikers.

## Veiligheidsinstructies

### Algemene veiligheidswaarschuwingen voor elektrisch gereedschap



**Waarschuwing!** Lees alle veiligheidswaarschuwingen en alle instructies. Wanneer de volgende waarschuwingen en voorschriften niet in acht worden genomen, kan dit een elektrische schok, brand of ernstig letsel tot gevolg hebben.

**Bewaar alle waarschuwingen en instructies als referentiemateriaal.** Het hierna gebruikte begrip 'elektrisch gereedschap' heeft betrekking op elektrische gereedschappen voor gebruik op de netspanning (met netsnoer) of op een accu (snoerloos).

#### 1. Veilige werkomgeving

- Houd uw werkomgeving schoon en goed verlicht.** Een rommelige of onverlichte werkruimte kan tot ongevallen leiden.
- Gebruik elektrisch gereedschap niet in een omgeving met explosiegevaar, zoals in de nabijheid van brandbare vloeistoffen, gassen of stof.** Elektrisch gereedschap veroorzaakt vonken die het stof of de dampen tot ontsteking kunnen brengen.
- Houd kinderen en andere personen tijdens het gebruik van elektrisch gereedschap uit de buurt.** Wanneer u wordt afgeleid, kunt u de controle over het apparaat verliezen.

#### 2. Elektrische veiligheid

- De netstekker van het gereedschap moet in het stopcontact passen. De stekker mag in geen geval worden omgebouwd. Gebruik geen adapterstekkers in combinatie met geaarde gereedschappen.** Niet-omgebouwde stekkers en passende stopcontacten beperken het risico van een elektrische schok.
- Vermijd aanraking van het lichaam met geaarde oppervlakken, bijvoorbeeld buizen, verwarmingen, fornuizen en koelkasten.** Er bestaat een verhoogd risico op een elektrische schok wanneer uw lichaam geaard is.
- Houd het gereedschap uit de buurt van regen en vocht.** Het binnendringen van water in het elektrische gereedschap vergroot het risico van een elektrische schok.

- Gebruik het snoer niet voor een verkeerd doel. Gebruik het snoer niet om het gereedschap te dragen of op te hangen of om de stekker uit het stopcontact te trekken. Houd het snoer uit de buurt van hitte, olie, scherpe randen of bewegende delen.** Beschadigde of in de war geraakte snoeren vergroten het risico van een elektrische schok.
- Wanneer u buitenshuis met elektrisch gereedschap werkt, dient u alleen verlengsnoeren te gebruiken die zijn goedgekeurd voor gebruik buitenshuis.** Het gebruik van een verlengsnoer dat geschikt is voor gebruik buitenshuis, beperkt het risico van een elektrische schok.
- Als u een elektrisch gereedschap moet gebruiken in een vochtige locatie, moet u een reststroomschakelaar (RCD) gebruiken.** Met een aardlekschakelaar wordt het risico van een elektrische schok verkleind.

#### 3. Veiligheid van personen

- Wees alert, let goed op wat u doet en ga met verstand te werk bij het gebruik van elektrische gereedschappen. Gebruik elektrisch gereedschap niet wanneer u moe bent of onder invloed van drugs, alcohol of medicijnen.** Een moment van onoplettendheid bij het gebruik van het gereedschap kan leiden tot ernstige verwondingen.
- Draag een persoonlijke beschermende uitrusting. Draag altijd een veiligheidsbril.** Het dragen van een persoonlijke beschermende uitrusting zoals een stofmasker, slipvaste werkschoenen, een veiligheidshelm of gehoorbescherming, afhankelijk van de aard en het gebruik van het elektrische gereedschap, vermindert het risico van verwondingen.
- Voorkom per ongeluk inschakelen. Controleer of de schakelaar in de uit-stand staat voordat u het gereedschap aansluit op het stopcontact en/of de accu en voordat u het gereedschap optilt of gaat dragen.** Wanneer u bij het dragen van het gereedschap uw vinger op de schakelaar houdt of wanneer u het gereedschap per ongeluk inschakelt, kan dat leiden tot ongevallen.
- Verwijder instelgereedschappen of schroefslutels voordat u het gereedschap inschakelt.** Een instelgereedschap of sleutel in een draaiend deel van het gereedschap kan leiden tot verwondingen.
- Reik niet te ver. Zorg er altijd voor dat u stevig staat en in evenwicht blijft.** Daardoor kunt u het gereedschap beter onder controle houden in onverwachte situaties.
- Draag geschikte kleding. Draag geen loshangende kleding of sieraden. Houd haren, kleding en handschoenen uit de buurt van bewegende delen.** Loshangende kleding, sieraden en lange haren kunnen door bewegende delen worden meegenomen.

- g. **Wanneer stofafzuigings- of stofopvangvoorzieningen kunnen worden gemonteerd, dient u zich ervan te verzekeren dat deze zijn aangesloten en juist worden gebruikt.** Het gebruik van stofopvangvoorzieningen beperkt het gevaar door stof.
4. **Gebruik en onderhoud van elektrisch gereedschap**
  - a. **Overbelast het gereedschap niet. Gebruik voor uw toepassing het daarvoor bestemde elektrische gereedschap.** Met het geschikte elektrische gereedschap werkt u beter en veiliger binnen het aangegeven capaciteitsbereik.
  - b. **Gebruik geen elektrisch gereedschap waarvan de schakelaar defect is.** Elektrisch gereedschap dat niet meer kan worden in- of uitgeschakeld, is gevaarlijk en moet worden gerepareerd.
  - c. **Trek de stekker uit het stopcontact en/of verwijder de accu uit het elektrisch gereedschap voordat u het gereedschap instelt, toebehoren wisselt of het gereedschap opbergt.** Met deze voorzorgsmaatregel voorkomt u onbedoeld starten van het gereedschap.
  - d. **Bewaar niet-gebruikte elektrische gereedschappen buiten bereik van kinderen. Laat het gereedschap niet gebruiken door personen die er niet vertrouwd mee zijn en deze aanwijzingen niet hebben gelezen.** Elektrische gereedschappen zijn gevaarlijk wanneer deze worden gebruikt door onervaren personen.
  - e. **Verzorg het gereedschap zorgvuldig. Controleer of bewegende delen van het gereedschap correct functioneren en niet klemmen, en of er onderdelen zodanig zijn gebroken of beschadigd dat de werking van het gereedschap nadelig wordt beïnvloed. Laat beschadigde delen repareren voordat u het gereedschap gebruikt.** Veel ongevallen worden veroorzaakt door slecht onderhouden elektrisch gereedschap.
  - f. **Houd snijdende inzetgereedschappen scherp en schoon.** Zorgvuldig onderhouden snijdende inzetgereedschappen met scherpe snijkanten klemmen minder snel vast en zijn gemakkelijker te geleiden.
  - g. **Gebruik elektrische gereedschappen, toebehoren, inzetgereedschappen en dergelijke volgens deze aanwijzingen. Let daarbij op de arbeidsomstandigheden en de uit te voeren werkzaamheden.** Het gebruik van elektrische gereedschappen voor andere dan de voorziene toepassingen kan leiden tot gevaarlijke situaties.
5. **Gebruik en onderhoud van snoerloos elektrisch gereedschap**
  - a. **Laad accu's alleen op met de door de fabrikant aanbevolen lader.** Een lader die geschikt is voor een bepaald type accu, kan brandgevaar opleveren wanneer deze in combinatie met andere accu's wordt gebruikt.
  - b. **Gebruik elektrisch gereedschap alleen in combinatie met specifiek vermelde accu's.** Het gebruik van andere accu's kan gevaar voor letsel en brand opleveren.
  - c. **Houd accu's die niet worden gebruikt uit de buurt van andere metalen voorwerpen, zoals paperclips, munten, spijkers, schroeven of andere kleine metalen voorwerpen die een verbinding van de ene pool naar de andere tot stand kunnen brengen.** Als kortsluiting tussen de polen van de accu's wordt gemaakt, kunnen brandwonden of brand worden veroorzaakt.
  - d. **Onder extreme omstandigheden kan er vloeistof uit de accu spuiten. Vermijd contact. Indien onbedoeld contact plaatsvindt, spoelt u met water. Als vloeistof in aanraking komt met ogen, raadpleegt u bovendien uw huisarts.** Vloeistof die uit de accu spuit, kan irritatie of brandwonden veroorzaken.
6. **Onderhoud**
  - a. **Laat het gereedschap alleen repareren door gekwalificeerd en vakkundig personeel en alleen met originele vervangingsonderdelen.** Daarmee wordt de veiligheid van het gereedschap gewaarborgd.

**Aanvullende veiligheidswaarschuwingen voor elektrisch gereedschap**



**Waarschuwing!** Aanvullende veiligheids-waarschuwingen voor decoupeerzagen en reciprozagen

- ◆ **Houd het gereedschap vast bij de geïsoleerde greepoppervlakken als u een handeling uitvoert waarbij het snijdende hulpstuk met onzichtbare draden in aanraking kan komen.** Als een draad onder spanning wordt geraakt door het snijdende hulpstuk, komen onbedekte metalen onderdelen van het gereedschap onder spanning te staan en kunt u een elektrische schok krijgen.
- ◆ **Gebruik klemmen of een andere praktische manier om het werkstuk op een stabiel platform vast te zetten en te steunen.** Als u het werkstuk met de hand of tegen uw lichaam vasthoudt, is het niet stabiel en kunt u de controle over het gereedschap verliezen.

- ◆ **Blijf met uw handen uit de buurt van het snijgebied.** Steek uw handen nooit onder het werkstuk. Blijf met uw vingers en duim uit de buurt van het heen en weer bewegende blad en van de heen en weer bewegende bladklem. Houd de zaag niet in evenwicht door de zool vast te houden.
- ◆ **Houd bladen scherp.** Door botte of beschadigde bladen kan de zaag onder druk afwijken of blijven steken. Gebruik altijd het juiste type zaagblad voor het werkstukmateriaal en het type zaagsnede.
- ◆ **Als u een pijp of buis gaat doorzagen, controleert u of deze geen water, elektrische bedrading, enzovoort, bevat.**
- ◆ **Raak het werkstuk of het blad niet meteen na het zagen aan.** Ze kunnen zeer heet worden.
- ◆ **Wees bedacht op verborgen gevaren. Controleer waar zich bedrading en leidingen bevinden voordat u in muren, vloeren of plafonds zaagt.**
- ◆ **Nadat u de schakelaar hebt losgelaten blijft het blad bewegen.** Schakel het gereedschap altijd uit en wacht tot het zaagblad volledig tot stilstand is gekomen voordat u het gereedschap neerlegt.

**Waarschuwing!** Contact met of inademing van het stof dat bij het zagen vrijkomt, kan de gezondheid van de gebruiker en omstanders schaden. Draag een stofmasker dat speciaal is ontworpen ter bescherming tegen stoffen en dampen, en verzeker u ervan dat andere personen die zich op de werkvloer bevinden of deze betreden, eveneens zijn beschermd.

- ◆ In deze instructiehandleiding wordt het beoogde gebruik beschreven. Het gebruik van andere accessoires of hulpstukken dan wel de uitvoering van andere handelingen met dit gereedschap dan die in deze gebruikershandleiding worden aanbevolen, kan leiden tot persoonlijk letsel en/of schade aan eigendommen.

### Veiligheid van anderen

- ◆ Dit gereedschap mag niet worden gebruikt door personen (waaronder kinderen) die lichamelijk of geestelijk mindervalide zijn of die geen ervaring met of kennis van dit gereedschap hebben, tenzij ze onder toezicht staan of instructies krijgen wat betreft het gebruik van het gereedschap van een persoon die verantwoordelijk is voor hun veiligheid.
- ◆ Houd toezicht op kinderen om ervoor te zorgen dat zij niet met het apparaat gaan spelen.

### Overige risico's

Er kunnen zich tijdens het gebruik van het gereedschap ook andere risico's voordoen, die misschien niet in de bijgevoegde veiligheidswaarschuwingen worden vermeld. Deze risico's kunnen zich voordoen als gevolg van onoordeelkundig gebruik, langdurig gebruik, enz.

Zelfs als de veiligheidsvoorschriften in acht worden genomen en de veiligheidsvoorzieningen worden geïmplementeerd, kunnen bepaalde risico's niet worden vermeden. Deze omvatten:

- ◆ Verwondingen die worden veroorzaakt door het aanraken van draaiende of bewegende onderdelen.
- ◆ Verwondingen die worden veroorzaakt bij het vervangen van onderdelen, bladen of accessoires.
- ◆ Verwondingen die worden veroorzaakt door langdurig gebruik van het gereedschap. Als u langere periodes met het gereedschap werkt, is het raadzaam om regelmatig een pauze in te lassen.
- ◆ Gehoorbeschadiging.
- ◆ Gezondheidsrisico's als gevolg van het inademen van stof dat door gebruik van het gereedschap wordt veroorzaakt (bijvoorbeeld tijdens het werken met hout, vooral eiken, beuken en MDF.)

### Trillingen

De aangegeven waarden voor trillingsemisatie in de technische gegevens en de conformiteitsverklaring zijn gemeten conform een standaardtestmethode die door EN 60745 wordt geboden. Hiermee kan het ene gereedschap met het andere worden vergeleken. De aangegeven waarde voor trillingsemisatie kan ook worden gebruikt bij een voorlopige bepaling van blootstelling.

**Waarschuwing!** De waarde voor trillingsemisatie tijdens het werkelijke gebruik van het gereedschap kan verschillen van de aangegeven waarde afhankelijk van de manieren waarop het gereedschap wordt gebruikt. Het trillingsniveau kan hoger worden dan het aangegeven niveau.

Wanneer de blootstelling aan trillingen wordt vastgesteld teneinde veiligheidsmaatregelen te bepalen die worden vereist door 2002/44/EG ter bescherming van personen die tijdens hun werk regelmatig elektrische gereedschappen gebruiken, moet bij een schatting van de blootstelling aan trillingen rekening worden gehouden met de werkelijke omstandigheden van het gebruik en de manier waarop het gereedschap wordt gebruikt. Daarbij moet ook rekening worden gehouden met alle stappen in de gebruikscyclus, zoals het moment waarop het gereedschap wordt uitgeschakeld en wanneer het gereedschap stationair loopt alsook de aanlooptijd.

### Labels op het gereedschap

De volgende symbolen zijn op het apparaat aangegeven:



**Waarschuwing!** De gebruiker moet de instructiehandleiding lezen om het risico op letsel te verminderen.

## Aanvullende veiligheidsinstructies voor accu's en laders

### Accu's

- ◆ Probeer accu's niet te openen, om welke reden ook.
- ◆ Stel de accu niet bloot aan water.
- ◆ Bewaar deze niet op locaties met temperaturen van meer dan 40 °C.
- ◆ Laad de accu's alleen op bij een omgevingstemperatuur van 10-40 °C.
- ◆ Gebruik alleen de lader die bij het apparaat is geleverd.
- ◆ Gooi lege accu's weg volgens de instructies in het gedeelte 'Milieu'.



**Laad beschadigde accu's niet op.**

### Laders

- ◆ Gebruik de lader van Stanley Fat Max alleen voor de accu's in het apparaat waarbij de lader is bijgeleverd. Andere batterijen kunnen exploderen met letsel en materiële schade als gevolg.
- ◆ Niet-laadbare accu's mogen nooit worden opgeladen.
- ◆ Een defect snoer moet direct worden vervangen.
- ◆ Stel de lader niet bloot aan water.
- ◆ Open de lader niet.
- ◆ Prik nooit met een scherp voorwerp in de lader.



De lader is uitsluitend bestemd voor gebruik binnenshuis.



Lees voor gebruik deze gebruikershandleiding.

### Elektrische veiligheid



De lader is dubbel geïsoleerd, zodat een aardaansluiting niet nodig is. Controleer altijd of de netspanning overeenkomt met de waarde op het typeplaatje. Probeer de lader nooit te vervangen door een normale netstekker.

- ◆ Als het netsnoer is beschadigd, moet dit, om ongelukken te voorkomen, worden vervangen door de fabrikant of in een Stanley Fat Max-servicecentrum.

### Onderdelen

Dit gereedschap kan de volgende onderdelen bevatten:

1. Aan/uit-schakelaar met variabele snelheden
2. Ontgrendelingsknop
3. Vergrendelingshendel voor zaagblad
4. Bladklem

5. Zool
6. Knop voor zaagbeweging
7. Accu

### fig. A

8. Accuoplader
9. Oplaadindicator

### Monteren

**Waarschuwing!** Verwijder voor montage de accu van het gereedschap en controleer dat het zaagblad niet meer beweegt. Zaagbladen die kort tevoren in gebruik zijn geweest, kunnen heet zijn.

### Het zaagblad aanbrengen en verwijderen (fig. B)

- ◆ Houd het zaagblad (10) vast met de tanden naar voren.
- ◆ Trek de vergrendelingshendel voor het zaagblad (3) omhoog.
- ◆ Plaats de zaagbladschacht volledig, zo ver mogelijk, in de bladklem (4).
- ◆ Laat de hendel los.
- ◆ Als u het zaagblad wilt verwijderen (10), trekt u de vergrendelingshendel voor het zaagblad (3) omhoog en trekt u het zaagblad uit.

### De accu plaatsen en verwijderen (fig. C)

- ◆ U plaatst de accu (7) door deze op één lijn te plaatsen met het contragedeelte op het gereedschap. Schuif de accu in het contragedeelte en duw totdat de accu vastklikt.
- ◆ Als u de accu wilt verwijderen, drukt u op de vergrendelingsknoppen (11) en trekt u tegelijkertijd de accu uit het contragedeelte.

### Gebruik van het gereedschap

**Waarschuwing!** Laat het gereedschap in zijn eigen tempo werken. Overbelast de machine niet.

**Waarschuwing!** Gebruik het gereedschap nooit als de zaagzool los zit of is verwijderd.

### De accu opladen (fig. A)

De accu moet vóór het eerste gebruik worden opgeladen en ook zodra deze niet meer voldoende vermogen levert voor taken die eerst gemakkelijk konden worden uitgevoerd. Tijdens het opladen kan de accu warm worden. Dit is normaal en duidt niet op een probleem.

**Waarschuwing!** Laad de accu niet op bij omgevingstemperaturen onder 10° C of boven 40° C. Aanbevolen laadtemperatuur: ongeveer 24 °C.

**Opmerking:** De lader functioneert niet als de temperatuur van de accu lager is dan ongeveer 10° C of hoger dan 40° C.

**Laat de accu in de lader zitten. De lader wordt automatisch ingeschakeld wanneer de accu de juiste temperatuur heeft.**

- ◆ Als u de accu (7) wilt opladen, schuift u de accu in de lader (8). De accu past maar op één manier in de lader. Forceer dit niet. Zorg ervoor dat de accu goed in de lader is geplaatst.
- ◆ Steek de stekker van de lader in een stopcontact.

De oplaadindicator (9) gaat knipperen.

Als het lampje (9) continu brandt, is de accu volledig opgeladen. Het lader en de accu kunnen voor onbepaalde tijd verbonden blijven. Het lampje wordt ingeschakeld wanneer de lader de accu van tijd tot tijd bijlaadt.

- ◆ Lege accu's dient u binnen een week op te laden. Als u accu's leeg bewaart, wordt de levensduur van de accu's aanzienlijk verminderd.

### De accu in de lader laten zitten

U kunt de accu gedurende onbepaalde tijd in de lader laten zitten terwijl het oplaadlampje brandt. De lader zorgt ervoor dat de accu altijd volledig opgeladen is.

### Problemen met de accu

Als er wordt geconstateerd dat de accu bijna leeg is of beschadigd is, gaat het oplaadlampje (9) snel rood knipperen. Ga in dat geval als volgt te werk:

- ◆ Plaats de accu (7) opnieuw.
- ◆ Als het oplaadlampje snel rood blijft knipperen, gebruikt u een andere accu om te controleren of de lader wel goed werkt.
- ◆ Als de andere accu goed wordt opgeladen, is de oorspronkelijke accu defect. Breng de accu naar een servicecentrum voor recycling.
- ◆ Als het lampje ook bij de andere accu snel knippert, moet u de lader laten testen bij een erkend servicecentrum.

**Opmerking: Het kan soms 30 minuten duren om na te gaan of de accu goed functioneert. Als de accu te warm of te koud is, knippert het lampje afwisselend snel en langzaam rood.**

### In- en uitschakelen (fig. D en E)

- ◆ U schakelt het gereedschap in door de ontgrendelingsknop (2) naar links te schuiven en vervolgens de schakelaar met variabele snelheden (1) in te drukken en vast te houden.
- ◆ Laat de schakelaar (1) los om het apparaat uit te schakelen.

**Waarschuwing!** Zet het gereedschap niet uit of aan terwijl het zaagblad contact maakt met het werkstuk.

**Waarschuwing!** Schuif de ontgrendelingschakelaar (2) altijd naar rechts, in de ontgrendelde positie, wanneer het gereedschap niet wordt gebruikt.

### Snelheidsregeling

De aan/uit-schakelaar voor variabele snelheid biedt een keuze aan snelheden. U beschikt over sterk verbeterde zaagsnelheden bij verschillende materialen.

- ◆ De snelheid van het gereedschap wordt bepaald door hoe ver de schakelaar (1) is ingedrukt.

### Zagen onder verstek (fig. F, G & H)

De zool kan onder een linker- of rechterhoek van 45° worden geplaatst.

### Als u de zaaghoek wilt instellen:

- ◆ Maak de bevestigingsbout voor de zool (12) los met de geleverde zeskantsleutel voor het ontgrendelen van de zool (5).
- ◆ Schuif de zool (5) naar voren om deze los te maken uit de 0°-stand.
- ◆ Draai de zool naar de gewenste zaaghoek (fig. G).
- ◆ Schuif de zool naar achteren om deze los te maken uit de linker of rechter stand.
- ◆ Draai de bevestigingsbout voor de zool (12) aan met de geleverde zeskantsleutel voor het vergrendelen van de zool (5) in de gewenste positie.

**Opmerking:** De zool kan naar rechts en links worden gekanteld, onder een hoek van 45°.

### Zaagbeweging (fig. I)

Deze decoupeerzaag is uitgerust met drie zaagstanden, twee voor het zagen in een cirkel en één voor rechthoekig zagen. Bij zagen in een cirkel is de zaagkracht hoger. Deze stand is bedoeld voor zagen in zachte materialen zoals hout en plastic. Zagen in een cirkel gaat sneller, maar de randen van het materiaal worden minder glad. Bij zagen in een cirkel beweegt het blad tijdens het schaven niet alleen omhoog en omlaag, maar ook naar voren.

**Waarschuwing!** Gebruik zagen in een cirkel niet voor het zagen van metaal en hardhout.

- ◆ Schuif de knop voor het instellen van de zaagbeweging (6) tussen de drie zaagstanden: 0, 1 en 2.
- ◆ Stand 0 is voor rechthoekig zagen.
- ◆ Stand 1 en 2 zijn voor zagen in een cirkel.
- ◆ Hoe hoger het getal waarop u de hendel instelt, hoe hoger de zaagkracht. 2 is de krachtigste stand.

### Zagen

- ◆ Houd het gereedschap altijd met beide handen vast.
- ◆ Laat het blad een paar seconden vrij bewegen voordat u begint te zagen.
- ◆ Voer slechts geringe druk op het gereedschap uit terwijl u zaagt.

- ◆ Druk indien mogelijk de zool (5) tijdens het zagen altijd tegen het werkstuk. Hierdoor hebt u meer controle over het gereedschap en treden minder trillingen op. Bovendien wordt zo voorkomen dat het blad wordt beschadigd.

## Tips voor optimaal gebruik

### Algemeen

- ◆ Gebruik voor hout een hoge snelheid, voor aluminium en PVC een gemiddelde snelheid en voor andere metalen dan aluminium een lage snelheid.

## Gelaagde materialen zagen

Omdat het blad tijdens de opwaartse slag zaagt, kan er splintervorming optreden bij het vlak dat zich het dichtst bij de zool bevindt.

- ◆ Gebruik een zaagblad met fijne tanden.
- ◆ Zaag vanaf de achterzijde van het werkstuk.
- ◆ Klem een stuk afvalhout of hardboard aan weerszijden van het werkstuk en zaag door al deze lagen om de splintervorming te minimaliseren.

## Metaal zagen

Houd er rekening mee dat het zagen bij metaal veel meer tijd kost dan bij hout.

- ◆ Gebruik een zaagblad dat geschikt is voor het zagen van metaal. Gebruik een zaagblad met fijne tanden voor ijzer en ijzerhoudende metalen en een ruwer zaagblad voor andere metalen.
- ◆ Klem bij dun plaatmetaal een stuk afvalhout aan de achterzijde van het werkstuk en zaag door beide lagen.
- ◆ Breng een oliefilm aan langs de gewenste zaaglijn.

## Accessoires

De prestaties van het gereedschap zijn afhankelijk van de gebruikte accessoires. Accessoires van Stanley Fat Max zijn ontworpen om aan hoge kwaliteitsnormen te voldoen en de prestaties van uw gereedschap te verhogen. In combinatie met deze accessoires kunt u uw gereedschap nog beter laten presteren.

Dit gereedschap is geschikt voor zaagbladen met een U- of T-schacht.

## Onderhoud

Uw gereedschap is ontworpen om gedurende een lange periode te functioneren met een minimum aan onderhoud. U kunt het gereedschap naar volle tevredenheid blijven gebruiken als u voor correct onderhoud zorgt en het gereedschap regelmatig schoonmaakt.

**Waarschuwing!** Schakel de machine uit en haal de stekker uit het stopcontact voordat u onderhoud uitvoert.

- ◆ Reinig regelmatig de ventilatieopeningen van het gereedschap en de lader met een zachte borstel of droge doek.

- ◆ Reinig de behuizing van de motor regelmatig met een vochtige doek. Gebruik geen schuur- of oplosmiddel.
- ◆ Breng van tijd tot tijd een druppel olie aan op de as van de bladsteunrol.

## Netstekker vervangen (alleen Verenigd Koninkrijk en Ierland)

Als er een nieuwe netstekker moet worden aangebracht:

- ◆ Gooi de oude stekker op verantwoorde wijze weg.
- ◆ Verbind de bruine draad met de spannings-/fasepool in de nieuwe stekker.
- ◆ Verbind de blauwe draad met de nul-/neutraalpool.

**Waarschuwing!** De aardepool hoeft niet te worden aangesloten. Volg de bevestigingsinstructies die met hoogwaardige stekkers worden meegeleverd. Aanbevolen zekering: 5 A.

## Milieu



Aparte inzameling. Dit product mag niet met normaal huishoudelijk afval worden weggegooid.

Mocht u op een dag constateren dat het Stanley Fat Max-product aan vervanging toe is of dat u het apparaat niet meer nodig hebt, gooi het product dan niet bij het restafval. Het product valt onder de categorie voor elektrische apparaten.



Gescheiden inzameling van gebruikte producten en verpakkingsmaterialen maakt het mogelijk materialen te recyclen en opnieuw te gebruiken. Hergebruik van gerecycleerde materialen zorgt voor minder milieuvuiling en dringt de vraag naar grondstoffen terug.

Plaatselijke verordeningen kunnen voorzien in gescheiden inzameling van huishoudelijke elektrische producten via gemeentelijke stortplaatsen of via de leverancier bij wie u een nieuw product aanschaft.

Stanley Europe biedt de mogelijkheid tot het recyclen van afgedankte Stanley Fat Max-producten. Om gebruik te maken van deze service, dient u het product naar een van onze servicecentra te sturen, die de inzameling voor ons verzorgen.

U kunt het adres van het dichtstbijzijnde Stanley Europe-servicecentrum opvragen via de adressen op de achterzijde van deze handleiding. U kunt ook een lijst van Stanley Europe-servicecentra en meer informatie over onze klantenservice vinden op het volgende internetadres: [www.2helpU.com](http://www.2helpU.com)



## Batterijen



Stanley Fat Max-accu's kunnen zeer vaak worden opgeladen. Gooi afgedankte batterijen op verantwoorde wijze weg:

- ◆ Ontlaad de batterij volledig en verwijder deze vervolgens uit het gereedschap.
- ◆ NiCd-, NiMH- en lithium-ionbatterijen kunnen worden gerecycled. Breng deze naar een servicecentrum of een inzamellocatie in uw woonplaats.

## Technische gegevens

FMC650 (H1)		
Spanning	$V_{dc}$	18
Onbelast toerental	$min^{-1}$	0 - 2500
Slaglengte	mm	19
Max. zaagdiepte		
Hout	mm	55
Staal	mm	8
Aluminium	mm	20
Gewicht	kg	2.62

Lader 905765** TYP 1		
Ingangsspanning	$V_{AC}$	220-240
Uitgangsspanning	$V_{DC}$	20 (Max)
Laadstroom	A	2
Oplaadtijd ca.	min	120

Accu FMC688L		
Spanning	$V_{DC}$	18
Capaciteit	Ah	4.0
Type	Li-ion	

$L_{pA}$ (geluidsdruk) 84.5 dB(A), meetonzekerheid (K) 3 dB(A)
$L_{WA}$ (geluidsvermogen) 95.5 dB(A), meetonzekerheid (K) 3 dB(A)
<b>Totale trillingswaarden (som triaxvector) volgens EN 60745:</b>
In planken zagen ( $a_{h,B}$ ) 6 $m/s^2$ , meetonzekerheid (K) 1.5 $m/s^2$
In bladmetaal zagen ( $a_{h,M}$ ) 4.3 $m/s^2$ , meetonzekerheid (K) 1.5 $m/s^2$

## EG-conformiteitsverklaring

MACHINERICHTLIJN



Draadloze decoupeerzaag - FMC650

Stanley Europe verklaart dat deze producten, die zijn beschreven onder "Technische gegevens", voldoen aan:

2006/42/EG, EN 60745-1, EN 60745-2-11

Deze producten voldoen tevens aan richtlijn 2004/108/EG en 2011/65/EU. Neem voor meer informatie contact op met Stanley Europe op het volgende adres of raadpleeg de achterzijde van de handleiding.

Ondergetekende is verantwoordelijk voor de compilatie van het technische bestand en geeft deze verklaring namens

Stanley Europe af.

Kevin Hewitt

Vice-President Global Engineering  
Stanley Europe, Egide Walschaertsstraat14-18,  
2800 Mechelen, België  
23/12/2013

## Garantie

Stanley Europe heeft vertrouwen in haar producten en biedt een uitstekende garantie voor professionele gebruikers van het product. Deze garantieverklaring is een aanvulling op, en vormt op geen enkele wijze een beperking van, uw contractuele rechten als private niet-professionele gebruiker. De garantie geldt in de lidstaten van de Europese Unie en de Europese Vrijhandelsassociatie.

### EEN JAAR VOLLEDIGE GARANTIE

Als uw Stanley Fat Max-product binnen 12 maanden na aankoop defect raakt ten gevolge van materiaal- of constructiefouten, dan garandeert Stanley Europe de kosteloze vervanging van defecte onderdelen, de reparatie van het product of – naar eigen inzicht – de vervanging van het product, indien wordt voldaan aan de volgende voorwaarden:

- ◆ Het product is niet misbruikt en is gebruikt in naleving van de instructiehandleiding.
- ◆ Het product is blootgesteld aan redelijkerwijs te verwachten slijtage of gebruik;
- ◆ Er zijn geen reparaties of pogingen tot reparatie uitgevoerd door niet-geautoriseerde personen.
- ◆ Bewijs van aanschaf kan worden getoond.
- ◆ Het Stanley Fat Max product wordt compleet geretourneerd met alle originele onderdelen

Indien u een claim wilt indienen, neemt u contact op met uw verkooppunt, gaat u naar uw dichtstbijzijnde Stanley Fat Max-centrum (u vindt het adres in de Stanley Fat Max-catalogus) of neemt u contact op met de Stanley Fat Max-vestiging waarvan het adres wordt vermeld in deze handleiding. Er is ook een lijst van Stanley Fat Max -servicecentra en meer informatie over onze klantenservice te vinden op het volgende internetadres:[www.stanley.eu/3](http://www.stanley.eu/3)

## Uso previsto

La sierra de calar de Stanley Fat Max se ha diseñado para serrar madera, plástico y planchas de metal. Esta herramienta está pensada para usuarios profesionales y para usuarios no profesionales privados.

## Instrucciones de seguridad

### Advertencias de seguridad generales para herramientas eléctricas



**¡Atención!** Lea todas las advertencias e instrucciones de seguridad. En caso de no atenderse a las siguientes advertencias e instrucciones de seguridad, podría producirse una descarga eléctrica, incendio o lesión grave.

**Guarde todas las advertencias e instrucciones para futuras consultas.** El término "herramienta eléctrica" empleado en las advertencias a continuación hace referencia a la herramienta eléctrica con alimentación de red (con cable) o alimentada por batería (sin cable).

1. **Seguridad del área de trabajo**
  - a. **Mantenga limpia y bien iluminada el área de trabajo.** El desorden y una iluminación deficiente pueden provocar accidentes.
  - b. **No utilice la herramienta eléctrica en un entorno con peligro de explosión, en el que se encuentren líquidos, gases o material en polvo inflamables.** Las herramientas eléctricas producen chispas que pueden llegar a inflamar el polvo o los vapores.
  - c. **Cuando utilice la herramienta eléctrica, mantenga alejados a los niños y a otras personas del área de trabajo.** Una distracción le puede hacer perder el control del aparato.
2. **Seguridad eléctrica**
  - a. **El enchufe de la herramienta eléctrica debe corresponder a la toma de corriente utilizada. No modifique el enchufe. No emplee adaptadores en herramientas eléctricas dotadas con toma de tierra.** Estas pautas le ayudarán a reducir el riesgo de descargas eléctricas.
  - b. **Evite tocar partes conectadas a tierra como tuberías, radiadores, cocinas y refrigeradores.** El riesgo a quedar expuesto a una descarga eléctrica es mayor si su cuerpo tiene contacto con tierra.
  - c. **No exponga las herramientas eléctricas a la lluvia y evite que penetren líquidos en su interior, ya que existe el peligro de recibir una descarga eléctrica.**
  - d. **Cuide el cable de alimentación. No lo utilice para transportar o colgar la herramienta eléctrica, ni tire de él para extraer el enchufe de la toma de corriente. Manténgalo alejado del calor, aceite, bordes afilados o piezas móviles.** Los cables de red dañados o enredados incrementan el riesgo de descarga eléctrica.
  - e. **Si trabaja con la herramienta eléctrica en el exterior, utilice solamente cables de prolongación homologados para uso en exteriores.** Esto le ayudará a reducir el riesgo de descarga eléctrica.
  - f. **Si la utilización de una herramienta eléctrica en un lugar húmedo es inevitable, utilice una fuente protegida con un dispositivo de corriente residual (RCD).** La utilización de un RCD reduce el riesgo de sufrir descargas eléctricas.
3. **Seguridad personal**
  - a. **Esté atento a lo que hace y utilice la herramienta eléctrica con prudencia. No la use si está cansado, ni si se encuentra bajo los efectos del alcohol, drogas o medicamentos.** El no estar atento durante el uso de una herramienta eléctrica puede provocarle serias lesiones.
  - b. **Utilice material de protección personal. Utilice siempre gafas de protección.** El riesgo de lesiones se reduce considerablemente si se utiliza material de protección adecuado como una mascarilla antipolvo, zapatos de seguridad con suela antideslizante, casco o protectores auditivos.
  - c. **Impida que la herramienta se ponga en marcha accidentalmente. Asegúrese de que el interruptor de encendido/apagado se encuentra en la posición de apagado antes de conectar la herramienta a la fuente de alimentación o a la batería, o de coger o transportar la herramienta.** Transportar la herramienta eléctrica con el dedo sobre el interruptor o enchufarla con el interruptor encendido puede provocar accidentes.
  - d. **Retire las herramientas de ajuste o llaves fijas antes de conectar la herramienta eléctrica.** Una herramienta o llave colocada en una pieza giratoria de la herramienta eléctrica puede producir lesiones al ponerse a funcionar.
  - e. **Sea precavido. Evite adoptar una posición que fatigue su cuerpo; mantenga un apoyo firme sobre el suelo y conserve el equilibrio en todo momento.** Ello le permitirá controlar mejor la herramienta eléctrica en caso de presentarse una situación inesperada.
  - f. **Vístase con la ropa adecuada. No lleve ropa holgada ni joyas. Aleje el pelo, la ropa y los guantes de las piezas móviles.** La vestimenta holgada, las joyas y el pelo largo se pueden enganchar con las piezas en movimiento.

- g. **Siempre que sea posible utilizar equipos de aspiración o captación de polvo, asegúrese de que estos estén conectados y que se utilicen correctamente.** El empleo de estos equipos reduce los riesgos derivados del polvo.
4. **Uso y cuidado de herramientas eléctricas**
- a. **No sobrecargue la herramienta eléctrica. Use la herramienta eléctrica adecuada para cada aplicación.** Con la herramienta eléctrica adecuada podrá trabajar mejor y más seguro dentro del margen de potencia indicado.
- b. **No utilice herramientas eléctricas con un interruptor defectuoso.** Las herramientas eléctricas que no se puedan conectar o desconectar son peligrosas y deben repararse.
- c. **Desconecte de la herramienta eléctrica el enchufe de la fuente de alimentación y de la batería antes de realizar cualquier ajuste, cambiar accesorios o guardar la herramienta.** Esta medida preventiva reduce el riesgo de encender accidentalmente la herramienta eléctrica.
- d. **Guarde las herramientas eléctricas fuera del alcance de los niños y de las personas que no estén familiarizadas con su uso.** Las herramientas eléctricas utilizadas por personas inexpertas son peligrosas.
- e. **Cuide sus herramientas eléctricas con esmero. Controle si funcionan correctamente, sin atascarse, las partes móviles de la herramienta eléctrica, y si existen partes rotas o deterioradas que pudieran afectar al funcionamiento de la herramienta. Si la herramienta eléctrica estuviese defectuosa, haga que la reparen antes de volver a utilizarla.** Muchos de los accidentes se deben a herramientas eléctricas con un mantenimiento deficiente.
- f. **Mantenga las herramientas de corte limpias y afiladas.** Las herramientas de corte mantenidas correctamente se dejan guiar y controlar mejor.
- g. **Utilice la herramienta eléctrica, los accesorios, los útiles de la herramienta, etc. de acuerdo con estas instrucciones, y tenga en cuenta las condiciones de trabajo y la tarea que se va a realizar.** El uso de herramientas eléctricas para trabajos diferentes de aquellos para los que han sido concebidas puede resultar peligroso.
5. **Uso y cuidado de la batería**
- a. **Recargue la batería sólo con el cargador especificado por el fabricante.** Un cargador que sea específico para un tipo de batería podría suponer un riesgo de incendio si se utiliza con otra batería.
- b. **Utilice herramientas eléctricas solamente cuando se especifique en la batería.** El uso de otras baterías puede suponer un riesgo de incendio y lesiones.
- c. **Cuando no se utilice la batería, manténgala alejada de objetos de metal como clips para papel, monedas, llaves, clavos, tornillos y otros pequeños objetos metálicos que pueden realizar una conexión de un terminal a otro.** Si provoca un cortocircuito entre los terminales de la batería, puede ocasionar un incendio o sufrir quemaduras.
- d. **En condiciones extremas, es posible que la batería expulse líquido; evite el contacto. En caso de tocarlo accidentalmente, enjuáguese con agua. Si el líquido entra en contacto con los ojos, solicite asistencia médica.** El líquido que expulsa la batería puede producir irritación o quemaduras.
6. **Servicio técnico**
- a. **Esta herramienta eléctrica sólo la puede reparar personal técnico autorizado que emplee exclusivamente piezas de repuesto originales.** Solamente así se garantiza la seguridad de la herramienta eléctrica.

### Advertencias de seguridad adicionales para herramientas eléctricas



¡Atención! Advertencias de seguridad adicionales para sierras de calar y sierras de vaivén

- ◆ **Sujete la herramienta eléctrica por la superficie de agarre aislada cuando realice una operación en la que el accesorio de corte pueda entrar en contacto con cableado oculto.** El contacto del accesorio de corte con un cable conectado a la red eléctrica podría hacer que las partes metálicas expuestas de la herramienta eléctrica transmitieran esa electricidad y podrían producir una descarga al usuario.
- ◆ **Utilice pinzas u otro método práctico para asegurar y sujetar la pieza de trabajo a una plataforma estable.** Si sostiene la pieza con la mano o contra el cuerpo, podría provocar su inestabilidad y perder el control.
- ◆ **Mantenga las manos alejadas de la zona de corte.** No meta nunca la mano bajo la pieza de trabajo. No introduzca los dedos en los alrededores de la cuchilla de vaivén ni en el enganche de ésta. No agarre la zapata para estabilizar la sierra.
- ◆ **Mantenga las cuchillas afiladas.** La hojas flojas o dañadas pueden provocar que la sierra dé un viraje brusco o se paralice al ejercer la presión para el corte. Utilice siempre el tipo de hoja de sierra apropiado para cada material de trabajo y tipo de corte.

- ◆ **Al cortar una cañería o un conducto, asegúrese de que no contiene restos de agua ni cableado eléctrico, etc.**
- ◆ **No toque la pieza de trabajo o la hoja justo después de utilizar la herramienta.** Pueden alcanzar temperaturas muy elevadas.
- ◆ **Tenga en cuenta los peligros ocultos, antes de serrar paredes, suelos o techos, compruebe la ubicación de los cables y tubos.**
- ◆ **La hoja seguirá moviéndose después de soltar el interruptor.** Apague la herramienta y espere siempre a que la hoja de sierra se detenga por completo antes de depositar la herramienta.

**¡Atención!** El contacto o la inhalación del polvo procedente de las aplicaciones de corte de la sierra puede poner en peligro la salud del usuario y de cualquier otra persona que se encuentre alrededor. Utilice una mascarilla antipolvo diseñada específicamente como protección contra el polvo y los vapores, y asegúrese de que las personas que se encuentran dentro del área de trabajo o que vayan a entrar en ella también estén protegidas.

- ◆ En este manual de instrucciones se describe el uso para el que se ha diseñado el aparato. El uso de accesorios o dispositivos de acoplamiento y la realización de operaciones con esta herramienta que no estén recomendados en este manual de instrucciones puede implicar un riesgo de lesiones personales o de daños materiales.

### Seguridad de terceros

- ◆ Las personas (incluidos niños) con capacidades físicas, sensoriales o mentales disminuidas o que carezcan de experiencia y conocimientos no deben utilizar esta herramienta, salvo que hayan recibido supervisión o formación con respecto al uso del aparato por parte de una persona responsable de su seguridad.
- ◆ Los niños deben vigilarse en todo momento para garantizar que el aparato no se toma como elemento de juego.

### Riesgos residuales.

El uso de esta herramienta puede producir riesgos residuales adicionales no incluidos en las advertencias de seguridad adjuntas. Estos riesgos se pueden generar por un uso incorrecto, demasiado prolongado, etc.

El cumplimiento de las normas de seguridad correspondientes y el uso de dispositivos de seguridad no evitan ciertos riesgos residuales. Estos riesgos incluyen:

- ◆ Lesiones producidas por el contacto con piezas móviles o giratorias.
- ◆ Lesiones producidas al cambiar cualquier pieza, cuchilla o accesorio.

- ◆ Lesiones producidas al usar una herramienta por un tiempo demasiado prolongado. Si utiliza una herramienta durante periodos de tiempo demasiado prolongados, asegúrese de realizar pausas con frecuencia.
- ◆ Discapacidad auditiva.
- ◆ Riesgos para la salud producidos al respirar el polvo que se genera al usar la herramienta (por ejemplo: en los trabajos con madera, especialmente de roble, haya y tableros de densidad mediana).

### Vibración

El valor de emisión de vibraciones indicado en el apartado de características técnicas y en la declaración de conformidad se ha calculado según un método de prueba estándar proporcionado por la norma EN 60745 y puede utilizarse para comparar una herramienta con otra. El valor de emisión de vibraciones especificado también puede utilizarse en una evaluación preliminar de la exposición.

**¡Atención!** El valor de emisión de vibraciones durante el funcionamiento real de la herramienta eléctrica puede diferir del valor declarado en función de cómo se utilice dicha herramienta. El nivel de las vibraciones puede superar el indicado.

Al evaluar la exposición a las vibraciones con el fin de determinar las medidas de seguridad que exige la norma 2002/44/CE para proteger a las personas que utilizan periódicamente herramientas eléctricas en el entorno laboral, deberá tenerse en cuenta una estimación de la exposición a las vibraciones, las condiciones de uso reales y el modo de empleo de la herramienta, así como los pasos del ciclo operativo como, por ejemplo, el número de veces que la herramienta se apaga, el tiempo que está parada y el tiempo de activación.

### Etiquetas en la herramienta

Encontrará los siguientes símbolos en la herramienta:



**¡Atención!** Para reducir el riesgo de lesiones, el usuario debe leer el manual de instrucciones.

### Instrucciones de seguridad adicionales para baterías y cargadores

#### Baterías

- ◆ No intente abrirlas bajo ningún concepto.
- ◆ No exponga las baterías al agua.
- ◆ No las almacene en lugares en los que la temperatura pueda superar los 40 °C.
- ◆ Realice la carga únicamente a una temperatura ambiente de entre 10 °C y 40 °C.
- ◆ Utilice únicamente el cargador suministrado con la herramienta para realizar la carga.

- ◆ Para desechar las baterías, siga las instrucciones facilitadas en la sección "Protección del medio ambiente".



**No intente cargar baterías dañadas.**

### Cargadores

- ◆ Utilice el cargador de Stanley Fat Max para cargar únicamente la batería de la herramienta con la que fue suministrado. Si intenta cargar otras baterías, estas podrían explotar y provocar lesiones y daños materiales.
- ◆ Nunca intente cargar baterías no recargables.
- ◆ Sustituya los cables defectuosos inmediatamente.
- ◆ No exponga el cargador al agua.
- ◆ No abra el cargador.
- ◆ No aplique ningún dispositivo para medir la resistencia del cargador.



Este cargador está pensado únicamente para utilizarse en un lugar interior.



Lea el manual de instrucciones antes de utilizar el aparato.

### Seguridad eléctrica



El cargador está provisto de doble aislamiento, por lo que no requiere una toma de tierra. Cada vez que utilice el aparato, debe comprobar que el voltaje de la red eléctrica corresponde al valor indicado en la placa de características. No intente sustituir el cargador por un enchufe convencional para la red eléctrica.

- ◆ Si se dañara el cable de alimentación, deberá ser sustituido por el fabricante o un centro de asistencia técnica autorizado de Stanley Fat Max para evitar cualquier situación de riesgo.

### Características

Esta herramienta incluye alguna de las siguientes características o todas ellas.

1. Interruptor de accionamiento de velocidad variable
2. Botón de desbloqueo
3. Palanca de bloqueo de la hoja de sierra
4. Enganche de la hoja
5. Base
6. Botón de acción de corte
7. Batería

### fig. A

8. Cargador de la batería
9. Indicador de carga

### Montaje

**¡Atención!** Antes de proceder al montaje, extraiga la batería de la herramienta y asegúrese de que la hoja de sierra se haya detenido. Después de utilizar la hoja de sierra, es posible que esté caliente.

### Colocación y extracción de la hoja de sierra (fig. B)

- ◆ Sujete la hoja de sierra (10) con los dientes orientados hacia delante.
- ◆ Eleve la palanca de bloqueo de la hoja de sierra (3) hacia arriba.
- ◆ Introduzca el vástago de la hoja en el enganche de la hoja (4) completamente hasta que encaje.
- ◆ Suelte la palanca.
- ◆ Para extraer la hoja de sierra (10), eleve la palanca de bloqueo de la hoja de sierra (3) hacia arriba y tire de la hoja hacia fuera.

### Inserción y extracción de la batería (fig. C)

- ◆ Para insertar la batería (7), alinéela con el receptáculo de la herramienta. Deslice la batería dentro del receptáculo y empujela hasta que encaje en su sitio.
- ◆ Para extraer la batería, pulse los botones de liberación (1) a la vez que tira de la batería para extraerla del receptáculo.

### Uso

**¡Atención!** Deje que la herramienta funcione a su ritmo. No la sobrecargue.

**¡Atención!** Nunca utilice la herramienta si la zapata de la sierra no está montada y correctamente apretada.

### Carga de la batería (fig. A)

Es necesario cargar la batería antes del primer uso y cada vez que perciba que no dispone de suficiente potencia para tareas que antes realizaba con facilidad. Es posible que la batería se caliente durante la carga, algo que es normal y no denota ningún problema.

**¡Atención!** No cargue la batería a una temperatura ambiente inferior a 10 °C o superior a 40 °C. Temperatura de carga recomendada: aprox. 24 °C.

**Nota: el cargador no cargará la batería si la temperatura de esta es inferior a los 10 °C o superior a los 40 °C aproximadamente.**

**Deje la batería en el cargador y este empezará a cargarla automáticamente cuando la temperatura de la pila aumente o disminuya.**

- ◆ Para cargar la batería (7), insértela en el cargador (8). La batería solo encaja en el cargador en una dirección. No la fuerce. Asegúrese de que la batería queda perfectamente encajada en el cargador.
- ◆ Enchufe el cargador y conéctelo a la red eléctrica.

El indicador de carga (9) parpadeará.

La carga habrá finalizado cuando el indicador de carga (9) pase a estar iluminado de manera continua. El cargador y la batería se pueden dejar conectados indefinidamente. Cuando, ocasionalmente, el cargador cargue la batería al máximo, se encenderá el indicador LED.

- ◆ Cargue las baterías descargadas en el plazo de 1 semana. La vida útil de la batería disminuirá considerablemente si se almacena descargada.

### Si la batería se deja en el cargador

El cargador y la batería pueden permanecer conectados durante un periodo de tiempo indefinido con el indicador LED iluminado. El cargador mantendrá la batería a baja temperatura y completamente cargada.

### Diagnóstico del cargador

Si el cargador detecta que la batería dispone de poca energía o está dañada, el indicador de carga (9) parpadeará en rojo a gran velocidad. Realice el procedimiento siguiente:

- ◆ Vuelva a insertar la batería (7)..
- ◆ Si los indicadores de carga continúan parpadeando en rojo a gran velocidad, utilice una batería diferente para determinar si el proceso de carga se efectúa correctamente.
- ◆ Si la batería sustituida se carga correctamente, significará que la batería original está defectuosa y que debe devolverse al centro de servicio para su reciclado.
- ◆ Si el cargador muestra la misma indicación con la batería nueva, llévelo a un centro de servicio autorizado para que lo revisen.

**Nota: es posible que hagan falta 30 minutos para determinar si la batería es defectuosa. Si la batería está demasiado caliente o demasiado fría, el indicador LED alternará parpadeos en rojo, rápidos y lentos, con un destello en cada rango de velocidad, y se repetirá la secuencia.**

### Encendido y apagado (fig. D y E)

- ◆ Para encender la herramienta, deslice el interruptor de desbloqueo (2) hacia la izquierda y, a continuación, tire del interruptor de accionamiento de velocidad variable (1).
- ◆ Para apagar la herramienta, suelte el interruptor de accionamiento (1).

**¡Atención!** No apague ni encienda la herramienta mientras esta se carga.

**¡Atención!** Deslice siempre el interruptor de desbloqueo (2) hacia la derecha, que es la posición de bloqueo cuando la herramienta no se utiliza.

### Control de la velocidad variable

El interruptor de encendido/apagado de velocidad variable permite elegir la velocidad adecuada para obtener unos resultados de corte notablemente mejorados en distintos materiales.

- ◆ La velocidad de la herramienta se determina por la cantidad de veces que se tira del interruptor de accionamiento (1).

### Cortes biselados (fig. F, G y H)

Es posible ajustar la base en un ángulo de bisel izquierdo o derecho de 45°.

#### Para ajustar el ángulo de bisel:

- ◆ Afloje el perno de retención de la zapata (12) con la llave hexagonal suministrada y desbloquee la base (5).
- ◆ Deslice la base (5) hacia delante para soltarla del tope de 0°.
- ◆ Gire la base hasta el ángulo de bisel requerido (fig. G).
- ◆ Deslice la base hacia atrás para encajar el tope izquierdo o derecho.
- ◆ Apriete el perno de retención de la zapata (12) con la llave hexagonal suministrada y bloquee la base (5) en la posición que requiera.

**Nota:** la zapata se puede biselar hacia la izquierda o hacia la derecha y cuenta con topes a 45°.

### Acción de corte (fig. I)

Esta sierra de calar está equipada con tres acciones de corte, dos orbitales y una recta. La acción orbital posee un movimiento de hoja más agresivo y está diseñada para cortar materiales blandos como la madera o el plástico. La acción orbital proporciona un corte más rápido pero realiza un corte menos preciso en el material. En la acción orbital, durante el corte la hoja se mueve hacia adelante además de realizar el movimiento arriba y abajo.

**¡Atención!** Los metales o las maderas duras no se deben cortar nunca en la acción orbital.

- ◆ Deslice el botón de acción de corte (6) entre las tres posiciones de corte: 0, 1 y 2.
- ◆ La posición 0 es para realizar cortes rectos.
- ◆ Las posiciones 1 y 2 son para realizar cortes orbitales.
- ◆ La agresividad del corte aumenta a medida que la palanca se ajusta desde el nivel uno hasta el dos, siendo el dos el corte más agresivo.

### Serrado

- ◆ Sujete siempre la herramienta con las dos manos.
- ◆ Deje que la hoja gire libremente durante unos segundos antes de empezar a cortar.
- ◆ Aplique solamente un poco de presión a la herramienta mientras realiza el corte.

- ◆ Si es posible, trabaje con la base (5) presionada contra la pieza de trabajo. Así mejorará su control sobre la herramienta y reducirá las vibraciones; además, evitará que la hoja se dañe.

## Consejos para un uso óptimo

### General

- ◆ Utilice la velocidad alta para madera, la velocidad media para aluminio y PVC y la velocidad baja para metales diferentes al aluminio.

### Serrado de material laminado

Debido a que la hoja de sierra efectúa el corte durante el movimiento hacia arriba, es posible que la superficie más cercana a la base se pueda astillar.

- ◆ Utilice una hoja de sierra con dientes pequeños.
- ◆ Sierre desde la superficie trasera de la pieza de trabajo.
- ◆ Para minimizar el astillado de la superficie, sujete una placa de madera desechable o de conglomerado a ambos lados de la pieza de trabajo y sierre el conjunto.

### Serrado de metal

Tenga en cuenta que serrar metal lleva mucho más tiempo que serrar madera.

- ◆ Utilice una hoja apropiada para serrar metal. Utilice una hoja de sierra con dientes pequeños para metales ferrosos y una hoja de dentado grueso para metales no ferrosos.
- ◆ Cuando corte una plancha de metal delgada, sujete una placa de madera desechable en la superficie trasera de la pieza de trabajo y corte el conjunto.
- ◆ Extienda una película de aceite a lo largo de la línea de corte prevista.

## Accesorios

El rendimiento de la herramienta depende de los accesorios que utilice. Los accesorios Stanley Fat Max se han fabricado siguiendo estándares de alta calidad y se han diseñado para mejorar el funcionamiento de la herramienta. Si utiliza estos accesorios, conseguirá el máximo rendimiento de la herramienta.

Esta herramienta es apropiada tanto para las hojas de sierra con vástago de una sola leva como para las universales.

## Mantenimiento

La herramienta se ha diseñado para que funcione durante un largo periodo de tiempo con un mantenimiento mínimo. El funcionamiento satisfactorio continuado depende de un cuidado apropiado y una limpieza periódica de la herramienta.

**¡Atención!** Antes de realizar cualquier tarea de mantenimiento, apague y desenchufe la herramienta.

- ◆ Limpie periódicamente las ranuras de ventilación de la herramienta y el cargador con un cepillo suave o un paño seco.
- ◆ Limpie periódicamente la carcasa del motor con un paño húmedo. No utilice limpiadores de base abrasiva ni disolventes.
- ◆ De vez en cuando, aplique un poco de aceite en el eje principal del rodillo de apoyo de la hoja.

## Sustitución del enchufe de la red eléctrica (sólo para el Reino Unido e Irlanda)

Si es necesario colocar un nuevo enchufe para la red eléctrica:

- ◆ Deseche el enchufe anterior según las normas de seguridad.
- ◆ Conecte el cable marrón al terminal conductor del nuevo enchufe.
- ◆ Conecte el cable azul al terminal neutro.

**¡Atención!** No se debe realizar ninguna conexión al terminal de conexión a tierra. Siga las instrucciones de montaje que se suministran con los enchufes de buena calidad. Fusible recomendado: 5 A.

## Protección del medio ambiente



Recogida selectiva. No se debe desechar este producto con el resto de residuos domésticos.

Si llegase el momento en que fuese necesario sustituir su producto Stanley Fat Max o si este dejase de tener utilidad para usted, no lo deseche junto con los residuos domésticos. Sepárelo para su recogida selectiva.



La recogida selectiva de productos y embalajes usados permite el reciclaje de materiales y su reutilización.

La reutilización de materiales reciclados contribuye a evitar la contaminación medioambiental y reduce la demanda de materias primas.

Las normativas municipales deben ofrecer la recogida selectiva de productos eléctricos del hogar en puntos municipales previstos para tal fin o a través del distribuidor cuando adquiera un nuevo producto.

Stanley Europe proporciona facilidades para la recogida y reciclado de los productos Stanley Fat Max que han llegado al final de su vida útil. Para poder utilizar este servicio, le rogamos que entregue el producto a cualquier agente de servicio técnico autorizado para que se haga cargo de él en nuestro nombre.



Puede consultar la dirección de su agente de servicio técnico más cercano si se pone en contacto con la oficina local de Stanley Europe en la dirección que se indica en este manual. Como alternativa puede consultar la lista de servicios técnicos autorizados de Stanley Europe y obtener la información completa de nuestros servicios de posventa y los contactos disponibles en la siguiente dirección de Internet: [www.2helpU.com](http://www.2helpU.com)

## Baterías



Las baterías de Stanley Fat Max pueden recargarse muchas veces. Cuando las baterías lleguen al final de su vida útil, deséchelas respetando el medio ambiente:

- ◆ Deje que la batería se agote por completo y, a continuación, extráigala de la herramienta.
- ◆ Las baterías de níquel cadmio (NiCd), de hidruro de níquel-metal (NiMH) y de iones de litio son reciclables. Llévelas a cualquier centro de servicio técnico autorizado o a un punto de reciclaje local.

## Ficha técnica

FMC650 (H1)		
Voltaje	$V_{dc}$	18
Velocidad sin carga	$min^{-1}$	0 - 2500
Longitud del movimiento	mm	19
Profundidad máxima de corte		
Madera	mm	55
Acero	mm	8
Aluminio	mm	20
Peso	kg	2.62

Cargador 905765** TYP 1		
Voltaje de entrada	$V_{AC}$	220-240
Voltaje de salida	$V_{DC}$	20 (como máximo)
Corriente	A	2
Tiempo de carga aproximado	min	120

Batería FMC688L		
Voltaje	$V_{DC}$	18
Capacidad	Ah	4.0
Tipo	Iones de litio	

$L_{pA}$ (presión acústica) 84.5 dB(A), Incertidumbre (K) 3 dB(A)
$L_{WA}$ (potencia acústica) 95.5 dB(A), Incertidumbre (K) 3 dB(A)
Valores totales de vibración (suma vectorial triaxial) de acuerdo con la norma EN 60745:
Corte de tablonos ( $a_{h,B}$ ) 6 $m/s^2$ , incertidumbre (K) 1.5 $m/s^2$
Corte de planchas de metal ( $a_{h,M}$ ) 4.3 $m/s^2$ , incertidumbre (K) 1.5 $m/s^2$

## Declaración de conformidad de la CE

DIRECTIVA DE MAQUINARIAS



Sierra de calar sin cable: FMC650

Stanley Europe declara que los productos descritos en la "ficha técnica" cumplen con las siguientes directrices:

2006/42/CE, EN 60745-1, EN 60745-2-11

Estos productos también cumplen con las Directivas 2004/108/CE y 2011/65/UE. Si desea obtener más información, póngase en contacto con Stanley Europe a través de la siguiente dirección o consulte el dorso del manual.

La persona que firma a continuación es responsable de la elaboración del archivo técnico y realiza esta declaración en

nombre de Stanley Europe.

Kevin Hewitt

Vicepresidente de Ingeniería global  
Stanley Europe, Egide Walschaertsstraat 14-18,

2800 Mechelen, Bélgica

23/12/2013

## Garantía

Stanley Europe confía plenamente en la calidad de sus productos y ofrece una garantía extraordinaria destinada a usuarios profesionales del producto. Esta declaración de garantía es un añadido y en ningún caso un perjuicio a sus derechos legales como usuario no profesional privado. La garantía es válida dentro de los territorios de los Estados miembros de la Unión Europea y de los de la Zona Europea de Libre Comercio.

## UN AÑO DE GARANTÍA TOTAL

Si un producto Stanley Fat Max resultara defectuoso debido a materiales o mano de obra defectuosos, Stanley Europe garantiza, dentro de los 12 meses de la fecha de compra, la sustitución de las piezas defectuosas sin cargo alguno o, según nuestro criterio, la sustitución de la unidad sin cargo alguno siempre que:

- ◆ El producto no se ha sometido a un uso inadecuado y se ha utilizado de acuerdo con este manual de instrucciones.
- ◆ El producto haya sufrido un desgaste razonable.
- ◆ Personal no autorizado no ha intentado reparar el producto.
- ◆ Se aporta prueba de compra.
- ◆ Se devuelve el producto Stanley Fat Max completo con todos los componentes originales.

Si desea realizar una reclamación, póngase en contacto con su vendedor o consulte la dirección de su servicio técnico especializado autorizado de Stanley Fat Max más cercano que aparece en el catálogo de Stanley Fat Max o póngase en contacto con la oficina de Stanley en la dirección que se indica en este manual. Puede consultar la lista de servicios técnicos autorizados de Stanley Fat Max y obtener la información completa de nuestros servicios de posventa disponibles en la siguiente dirección de Internet: [www.stanley.eu/3](http://www.stanley.eu/3)

## Utilização prevista

A sua serra eléctrica Stanley Fat Max foi concebida para serrar madeira, plástico e chapas metálicas. Esta ferramenta destina-se a utilização profissional bem como a utilizadores privados não profissionais.

## Instruções de segurança

### Avisos de segurança gerais para ferramentas eléctricas



**Aviso!** Leia com atenção todos os avisos de segurança e instruções. O não cumprimento dos seguintes avisos e instruções pode resultar em choque eléctrico, incêndio e/ou graves lesões.

**Guarde todos os avisos e instruções para futura referência.** A expressão "ferramenta eléctrica" utilizada a seguir refere-se a ferramentas eléctricas com ligação à corrente eléctrica (com cabo) ou com bateria (sem fios).

#### 1. Segurança na área de trabalho

- a. **Mantenha a área de trabalho limpa e bem iluminada.** Áreas desarrumadas ou mal iluminadas são propícias a acidentes.
- b. **Não trabalhe com ferramentas eléctricas em áreas com risco de explosão, nas quais se encontrem líquidos, gases ou poeiras inflamáveis.** As ferramentas eléctricas produzem faíscas que podem provocar a ignição de poeiras ou vapores.
- c. **Mantenha crianças e outras pessoas afastadas durante a utilização da ferramenta eléctrica.** Distracções podem provocar perda de controlo do aparelho.

#### 2. Segurança eléctrica

- a. **A ficha da ferramenta eléctrica deve caber na tomada. A ficha não deve ser modificada de modo algum. Não utilize quaisquer fichas adaptadoras em ferramentas eléctricas com ligação à terra.** Fichas sem modificações e tomadas adequadas reduzem o risco de choques eléctricos.
- b. **Evite que o corpo entre em contacto com superfícies ligadas à terra, como tubos, radiadores, fogões e frigoríficos.** Existe um risco elevado de choques eléctricos se o corpo estiver ligado à terra.
- c. **As ferramentas eléctricas não podem ser expostas a chuva nem humidade.** A penetração de água na ferramenta eléctrica aumenta o risco de choques eléctricos.

- d. **Manuseie o cabo com cuidado. O cabo não deve ser utilizado para transportar ou pendurar a ferramenta, nem para puxar a ficha da tomada. Mantenha o cabo afastado de calor, óleo, pontas afiadas ou partes móveis.** Cabos danificados ou torcidos aumentam o risco de choques eléctricos.
- e. **Quando trabalhar com uma ferramenta eléctrica ao ar livre, utilize um cabo de extensão apropriado para esse fim.** A utilização de um cabo apropriado para áreas ao ar livre reduz o risco de choques eléctricos.
- f. **Se for inevitável trabalhar com uma ferramenta eléctrica num local húmido, utilize um Dispositivo de Corrente Residual (RCD).** A utilização de um RCD reduz o risco de choque eléctrico.

#### 3. Segurança pessoal

- a. **Mantenha-se atento, observe o que está a fazer e seja prudente ao trabalhar com uma ferramenta eléctrica. Não utilize uma ferramenta eléctrica se estiver cansado ou sob a influência de drogas, álcool ou medicamentos.** Um momento de falta de atenção enquanto trabalha com ferramentas eléctricas poderá resultar em lesões graves.
- b. **Utilize equipamento de protecção pessoal. Utilize sempre óculos de protecção.** Equipamento de protecção como, por exemplo, máscara anti-poeiras, sapatos de segurança anti-derrapantes, capacete de segurança ou protecção auricular, de acordo com o tipo e a aplicação de ferramenta eléctrica, reduz o risco de lesões.
- c. **Evite arranques involuntários. Certifique-se de que o botão está desligado antes de ligar a ferramenta à corrente eléctrica e/ou a bateria, pegando ou transportando a ferramenta.** Transportar ferramentas eléctricas com o dedo no botão ou ligar ferramentas eléctricas à tomada com o interruptor na posição de ligado pode dar origem a acidentes.
- d. **Retire eventuais chaves de ajuste ou chaves inglesas antes de ligar a ferramenta eléctrica.** Uma chave fixa ou qualquer outra chave ligada a uma peça rotativa da ferramenta eléctrica pode provocar lesões.
- e. **Não se incline. Mantenha-se sempre bem posicionado e em equilíbrio.** Assim, controlará melhor a ferramenta eléctrica em situações imprevistas.
- f. **Utilize vestuário adequado. Não utilize roupas largas nem jóias. Mantenha o cabelo, roupa e luvas afastados de peças em movimento.** Roupas largas, jóias ou cabelo comprido podem ser apanhados por partes móveis.

- g. **Se for prevista a montagem de dispositivos de extracção e recolha de pó, assegure-se de que estão ligados e que são utilizados de forma correcta.** A recolha das poeiras pode reduzir os riscos provocados por poeiras.
4. **Utilização e manutenção da ferramenta eléctrica**
- a. **Não sobrecarregue a ferramenta eléctrica. Utilize a ferramenta eléctrica adequada para o trabalho pretendido.** A ferramenta eléctrica correcta realizará o trabalho de forma melhor e mais segura, com a potência com que foi concebida.
- b. **Não utilize a ferramenta eléctrica se o interruptor não puder ser ligado nem desligado.** Qualquer ferramenta eléctrica que não possa ser controlada com o interruptor é perigosa e terá de ser reparada.
- c. **Desligue a ficha da tomada e/ou a bateria da tomada antes de proceder a ajustes, trocar acessórios ou guardar ferramentas eléctricas.** Estas medidas de prevenção de segurança reduzem o risco de ligação inadvertida da ferramenta eléctrica.
- d. **Mantenha as ferramentas eléctricas que não estiverem a ser utilizadas fora do alcance de crianças.** Não permita que a ferramenta eléctrica seja utilizada por pessoas não familiarizadas com a mesma ou que não tenham lido estas instruções. As ferramentas eléctricas são perigosas quando utilizadas por pessoas não qualificadas.
- e. **Efectue a manutenção das ferramentas eléctricas.** Verifique se as partes móveis estão desalinhasadas ou bloqueadas, se existem peças partidas ou qualquer outra situação que possa afectar o funcionamento das ferramentas eléctricas. As peças danificadas devem ser reparadas antes da utilização da ferramenta eléctrica. Muitos acidentes são provocados por falta de manutenção das ferramentas eléctricas.
- f. **Mantenha as ferramentas de corte sempre afiadas e limpas.** Ferramentas de corte com a manutenção adequada e extremidades afiadas bloqueiam com menos frequência e são mais fáceis de controlar.
- g. **Utilize a ferramenta eléctrica, acessórios e peças de ferramenta de acordo com estas instruções, considerando as condições de trabalho e a tarefa a ser executada.** A utilização da ferramenta eléctrica para fins diferentes dos previstos pode resultar em situações perigosas.
5. **Utilização e manutenção da bateria**
- a. **Carregue apenas com o carregador especificado pelo fabricante.** Um carregador adequado para um tipo de bateria pode dar origem a risco de incêndio quando utilizado com outro tipo de bateria.
- b. **Utilize ferramentas eléctricas apenas com baterias específicas.** A utilização de outras baterias pode dar origem a risco de danos e incêndio.
- c. **Quando uma bateria não estiver a ser utilizada, mantenha-a afastada de outros objectos metálicos como, por exemplo, cliques, moedas, chaves, pregos, parafusos ou outros pequenos objectos metálicos que possam fazer ligação de um terminal a outro.** O curto-circuito de terminais de bateria pode causar queimaduras ou incêndio.
- d. **Sob condições exageradas, a bateria pode verter líquido – evite o contacto.** Se ocorrer um contacto accidental, lave em abundância com água. Se o líquido entrar em contacto com os olhos, procure assistência médica. O líquido vertido da bateria pode causar irritação ou queimaduras.
6. **Reparação**
- a. **A sua ferramenta eléctrica só deve ser reparada por pessoal qualificado e só devem ser colocadas peças sobressalentes originais.** Isso garante a manutenção da segurança da ferramenta eléctrica.

### Avisos de segurança adicionais para ferramentas eléctricas



**Atenção!** Avisos de segurança adicionais para serras eléctricas e serras de movimento recíproco

- ◆ **Segure a ferramenta eléctrica pelas áreas isoladas quando executar uma operação em que o acessório de corte possa entrar em contacto com a cablagem oculta.** O acessório de corte em contacto com um cabo "electrificado" poderá expor peças metálicas do sistema eléctrico da ferramenta e provocar um choque eléctrico ao operador.
- ◆ **Utilize grampos ou outro meio para fixar e apoiar a peça numa plataforma estável.** Se fixar a peça com a mão ou contra o seu corpo, a peça fica instável e pode dar origem à perda de controlo.
- ◆ **Mantenha as mãos afastadas da área de corte.** Nunca manuseie a parte inferior da peça de trabalho em circunstância alguma. Não introduza os dedos perto da lâmina correspondente e grampo da lâmina. Não estabilize a serra agarrando o arrasto.
- ◆ **Mantenha as lâminas afiadas.** Lâminas embotadas ou danificadas podem desviar ou encravar a serra sob pressão. Utilize sempre o tipo apropriado de lâmina de serra para o material e tipo de corte.
- ◆ **Quando cortar tubos ou condutas, certifique-se de que estes não têm água, cablagem, etc.**

- ◆ **Não toque na peça ou na lâmina logo após a utilização da ferramenta.** Estas podem estar muito quentes.
- ◆ **Tenha cuidado com os perigos escondidos, antes de cortar em paredes, tectos ou chãos devido à localização de fios e tubos.**
- ◆ **A lâmina irá continuar a mover-se depois de desengatar o interruptor.** Desligue sempre a ferramenta e aguarde até que a lâmina da serra pare completamente antes de pousar a ferramenta.

**Atenção!** O contacto ou a inalação de poeiras originadas pelas aplicações de corte poderá colocar em perigo a saúde do operador ou das pessoas presentes. Utilize uma máscara especificamente concebida para protecção contra poeiras e vapores e certifique-se de que as pessoas perto da área de trabalho também estão protegidas.

- ◆ A utilização prevista para este aparelho está descrita no manual de instruções. A utilização de qualquer acessório ou a realização de qualquer operação com esta ferramenta que não se inclua no presente manual de instruções poderá representar um risco de ferimentos e/ou danos materiais.

### Segurança de terceiros

- ◆ Este aparelho não deve ser utilizado por pessoas (incluindo crianças) que apresentem capacidades físicas, sensoriais ou mentais reduzidas ou que não possuam os conhecimentos e a experiência necessários, excepto se forem vigiadas e instruídas acerca da utilização do aparelho por uma pessoa responsável pela sua segurança.
- ◆ As crianças deverão ser vigiadas para que não mexam no aparelho.

### Riscos residuais.

Podem surgir riscos residuais adicionais durante a utilização da ferramenta que poderão não constar nos avisos de segurança incluídos. Estes riscos podem resultar de má utilização, uso prolongado, etc.

Mesmo com a aplicação dos regulamentos de segurança relevantes e com a implementação de dispositivos de segurança, alguns riscos residuais não podem ser evitados. Incluem:

- ◆ ferimentos causados pelo contacto com peças em rotação/movimento.
- ◆ ferimentos causados durante a troca de peças, lâminas ou acessórios.
- ◆ ferimentos causados pela utilização prolongada de uma ferramenta. Quando utilizar uma ferramenta por períodos prolongados, faça intervalos regulares.
- ◆ Diminuição da audição.
- ◆ Os problemas de saúde causados pela inalação de poeiras resultantes da utilização da ferramenta (exemplo: trabalhos em madeira, especialmente carvalho, faia e MDF).

### Vibração

Os valores de emissão de vibração declarados na secção de dados técnicos e na declaração de conformidade foram medidos de acordo com o método de teste padrão fornecido pela norma EN 60745 e podem ser utilizados para comparar ferramentas. O valor de emissão de vibração declarado pode ainda ser utilizado numa avaliação preliminar de exposição.

**Atenção!** O valor de emissão de vibração durante a utilização real da ferramenta eléctrica pode ser diferente do valor declarado, dependendo da forma como a ferramenta é utilizada. O nível de vibração pode aumentar acima do nível indicado.

Quando avaliar a exposição da vibração para determinar as medidas de segurança exigidas pela norma 2002/44/CE para proteger pessoas que utilizem regularmente ferramentas eléctricas na sua actividade profissional, deve ser considerada uma estimativa de exposição de vibração, as actuais condições de utilização e o modo de utilização da ferramenta, incluindo ainda todas as partes do ciclo de funcionamento, como os períodos de inactividade e espera da ferramenta, para além do tempo de funcionamento.

### Rótulos na ferramenta

A ferramenta apresenta os seguintes símbolos:



**Atenção!** Para reduzir o risco de ferimentos, o utilizador deve ler o manual de instruções.

### Instruções de segurança adicionais para baterias e carregadores

#### Baterias

- ◆ Nunca tente abrir a bateria por motivo algum.
- ◆ Não exponha a bateria à água.
- ◆ Não as armazene em locais onde a temperatura possa exceder os 40 °C.
- ◆ Carregue apenas a temperaturas ambiente entre 10 °C e 40 °C.
- ◆ Carregue apenas com o carregador fornecido com a ferramenta.
- ◆ Quando eliminar as baterias, siga as instruções da secção "Protecção do ambiente".



**Não tente carregar baterias danificadas.**

#### Carregadores

- ◆ Utilize o seu carregador Stanley Fat Max apenas para carregar a bateria na ferramenta respectiva. Outras baterias podem rebentar, provocando ferimentos e danos.

- ◆ Nunca tente carregar baterias não recarregáveis.
- ◆ Substitua os cabos defeituosos imediatamente.
- ◆ Não exponha o carregador à água.
- ◆ Não abra o carregador.
- ◆ Não manipule o interior do carregador.



O carregador deverá ser utilizado apenas em espaços interiores.



Leia o manual de instruções antes da utilização.

### Segurança eléctrica



O carregador tem um isolamento duplo, pelo que não é necessário um fio de terra. Verifique sempre se a tensão de alimentação corresponde à tensão indicada na placa de especificações. Nunca tente substituir a unidade do carregador por uma tomada normal de alimentação.

- ◆ Se o cabo de alimentação estiver danificado, terá de ser substituído pelo fabricante ou por um centro de assistência autorizado Stanley Fat Max para evitar acidentes.

### Componentes

Esta ferramenta inclui alguns ou todos os seguintes componentes.

1. Interruptor de gatilho de velocidade variável
2. Botão de desbloqueio
3. Alavanca de fecho de lâminas de serra
4. Grampo da lâmina
5. Arrasto
6. Botão de acção de corte
7. Bateria

### Fig. A

8. Carregador da bateria
9. Indicador de carga

### Montagem

**Aviso!** Antes da montagem, retire a bateria da ferramenta e certifique-se de que a lâmina da serra se encontra imobilizada. As lâminas da serra usadas poderão estar quentes.

### Montagem e remoção da lâmina da serra (fig. B)

- ◆ Segure a lâmina da serra (10) com os dentes virados para a frente.
- ◆ Levante a alavanca de fecho (3) de lâminas da serra.
- ◆ Insira totalmente a haste da lâmina no grampo de lâminas (4), o máximo possível.
- ◆ Solte a alavanca.

- ◆ Para retirar a lâmina da serra (10), levante a alavanca de fecho (3) da lâmina e retire a lâmina.

### Colocar e remover a bateria (fig. C)

- ◆ Para colocar a bateria (7), alinhe-a com o receptáculo na ferramenta. Faça deslizar a bateria para dentro do receptáculo e puxe até que a bateria se encaixe devidamente.
- ◆ Para remover a bateria, pressione os botões de desbloqueio (11) enquanto retira, simultaneamente, a bateria do receptáculo.

### Utilização

**Aviso!** Deixe a ferramenta funcionar ao seu próprio ritmo. Não a sobrecarregue.

**Aviso!** Não utilize a ferramenta quando a base da serra estiver solta ou removida.

### Carregar a bateria (fig. A)

A bateria precisa de ser carregada antes da primeira utilização e sempre que não consiga produzir energia suficiente em trabalhos habitualmente feitos sem dificuldade. A bateria pode aquecer durante o carregamento; isto é normal e não indica um problema.

**Atenção!** Não carregue a bateria a temperaturas ambientes abaixo de 10 °C ou acima de 40 °C. Temperatura de carregamento recomendada: aprox. 24 °C.

**Nota: O carregador não irá carregar a bateria se a temperatura das células for inferior a 10 °C ou superior a 40 °C. A bateria deverá permanecer no carregador para que este comece a carregar automaticamente quando a temperatura das células aquecer ou arrefecer.**

- ◆ Para carregar a bateria (7), insira-a no carregador (8). A bateria apenas pode ser colocada no carregador de uma forma. Não force. Certifique-se de que a bateria está completamente introduzida no carregador.
- ◆ Ligue a ficha do carregador e ligue-o à corrente.

O indicador de carga (9) estará intermitente.

O carregamento está concluído quando a luz do indicador de carga (9) ficar acesa de forma contínua. O carregador e a bateria podem ficar ligados indefinidamente. O LED acende-se quando o carregador ocasionalmente preenche a carga da bateria.

- ◆ As baterias descarregadas devem ser carregadas no espaço de 1 semana. A vida útil de uma bateria diminuirá muito se for guardada sem carga.

### Deixar a bateria no carregador

O carregador e a bateria podem permanecer ligados com o LED aceso indefinidamente. O carregador irá manter a bateria completamente carregada.

## Diagnóstico do carregador

Se o carregador detectar que a bateria está fraca ou danificada, o indicador de carga (9) ficará vermelho em modo intermitente rápido. Proceda da seguinte forma:

- ◆ Voltar a colocar a bateria (7).
- ◆ Se os indicadores de carga continuarem a piscar rapidamente a vermelho, utilize uma bateria diferente para determinar se o processo de carga está a funcionar correctamente.
- ◆ Se a bateria de substituição carregar correctamente, então a bateria original está defeituosa e deve ser entregue num centro de serviço para reciclagem.
- ◆ Se a bateria nova der a mesma indicação que a bateria original, leve o carregador até um centro de assistência autorizado para ser testado.

**Nota: determinar se a bateria está defeituosa pode demorar até 30 minutos. Se a bateria estiver demasiado quente ou fria, o LED piscará alternadamente de modo rápido e lento, piscando uma vez a cada velocidade e repetindo o processo.**

## Ligar e desligar (fig. D e E)

- ◆ Para ligar, faça deslizar o interruptor de desbloqueio (2) para o lado esquerdo e, em seguida, puxe e segure o interruptor de gatilho de velocidade variável (1).
- ◆ Para desligar, solte o interruptor de gatilho (1).

**Aviso!** Não ligue nem desligue a ferramenta sob carga.

**Aviso!** Faça sempre deslizar o interruptor de desbloqueio (2) para o lado direito, na posição de bloqueado, quando a ferramenta não estiver a ser utilizada.

## Controlo de velocidade variável

O interruptor para ligar/desligar, de velocidade variável, oferece diversas opções de velocidades para níveis de corte otimizados em vários materiais.

- ◆ A velocidade é determinada pelo nível em que o interruptor de gatilho (1) é puxado.

## Corte em bisel (fig. F, G e H)

É possível definir o arrasto para um ângulo do bisel esquerdo ou direito de 45°.

### Para definir o ângulo de bisel:

- ◆ Desaperte o parafuso de retenção (12) da base com a chave sextavada fornecida para desbloquear o arrasto (5).
- ◆ Faça deslizar o arrasto (5) para a frente para o libertar o retentor de 0°.
- ◆ Rode o arrasto para o ângulo de bisel pretendido (fig. G).
- ◆ Faça deslizar o arrasto para trás para encaixar o retentor esquerdo ou direito.

- ◆ Aperte o parafuso de retenção (12) da base com a chave sextavada fornecida para bloquear o arrasto (5) na posição requerida.

**Nota:** É possível biselar o arrasto para a esquerda ou direita. Tem retentores nos 45°.

## Acção de corte (fig. I)

Esta serra eléctrica encontra-se equipada com três acções de corte, duas orbitais e uma direita. A acção orbital utiliza um movimento de lâmina mais agressivo, sendo concebida para o corte de materiais menos rígidos, como a madeira ou o plástico. A acção orbital permite um corte mais rápido, mas com um corte menos suave ao longo do material. Na acção orbital, a lâmina move-se para a frente durante o corte, além do movimento para cima e para baixo.

**Aviso!** Os metais e as madeiras duras nunca deverão ser cortados utilizando acção orbital.

- ◆ Faça deslizar o botão de acção de corte (6) entre as três posições de corte: 0, 1 e 2.
- ◆ A posição 0 é para um corte a direito.
- ◆ As posições 1 e 2 são para um corte orbital.
- ◆ A agressividade do corte aumenta com o ajustamento da alavanca da posição um até à dois, sendo a posição dois a de corte mais agressivo.

## Serrar

- ◆ Segure sempre a ferramenta com ambas as mãos.
- ◆ Deixe a lâmina a trabalhar livremente durante alguns segundos antes de começar a cortar.
- ◆ Exerça apenas uma ligeira pressão na ferramenta enquanto corta.
- ◆ Se for possível, trabalhe com o arrasto (5) pressionado contra a peça. Isto melhorará o controlo da ferramenta e reduzirá a vibração da mesma, evitando ainda que a lâmina fique danificada.

## Sugestões para uma utilização ideal

### Gerais

- ◆ Utilize uma velocidade rápida para madeira, média para alumínio e PVC e lenta para metais que não sejam alumínio.

### Serrar laminados

Uma vez que a lâmina de serra possui um curso de corte ascendente, poderão surgir lascas na superfície junto do arrasto.

- ◆ Utilize uma lâmina de serra com dentes em bom estado.
- ◆ Serre a partir da superfície de fundo da peça.
- ◆ Para minimizar a ocorrência de lascas, coloque fragmentos de madeira ou painel duro em ambos os lados da peça e serre no meio deste painel compósito.

## Serrar metal

Tenha em atenção que a serração de metal demora muito mais tempo do que a serração de madeira.

- ◆ Utilize uma lâmina de serra adequada para a serração de metal. Utilize uma lâmina de serra de dentes finos para metais ferrosos e uma lâmina de serra de dentes largos para metais não ferrosos.
- ◆ Ao cortar folhas de metal finas, coloque fragmentos de madeira na superfície de fundo da peça e corte no meio deste painel compósito.
- ◆ Espalhe uma camada fina de óleo ao longo da linha de corte pretendida.

## Acessórios

O desempenho da ferramenta depende do acessório utilizado.

Os acessórios Stanley Fat Max são construídos sob normas de alta qualidade e concebidos para melhorar o desempenho da ferramenta. Ao utilizar estes acessórios, obterá o melhor desempenho da sua ferramenta.

Esta ferramenta adequa-se às lâminas de serra de haste em U e haste em T.

## Manutenção

A sua ferramenta foi concebida para funcionar por um longo período de tempo com uma manutenção mínima. Um funcionamento contínuo e satisfatório depende de uma manutenção adequada e da limpeza regular da ferramenta.

**Atenção!** Antes de proceder a qualquer acção de manutenção, desligue a ferramenta e retire a ficha da tomada.

- ◆ Limpe regularmente as saídas de ventilação da ferramenta e o carregador com uma escova suave ou um pano seco.
- ◆ Limpe regularmente o compartimento do motor com um pano húmido. Não utilize produtos de limpeza abrasivos ou à base de solventes.
- ◆ Ocasionalmente, aplique uma gota de óleo no eixo do rolo de suporte de lâminas.

## Substituição da ficha de alimentação (apenas Reino Unido e Irlanda)

Se for necessário montar uma nova ficha de alimentação:

- ◆ Elimine com segurança a ficha antiga.
- ◆ Ligue o cabo castanho ao terminal electrificado na nova ficha.
- ◆ Ligue o cabo azul ao terminal neutro.

**Atenção!** Não é necessário efectuar qualquer ligação ao terminal de terra. Siga as instruções de montagem fornecidas com fichas de boa qualidade. Fusível recomendado: 5 A.

## Protecção do ambiente



Recolha separada. Este produto não pode ser eliminado juntamente com os resíduos domésticos normais.

Se, em algum momento, for necessário substituir este produto Stanley Fat Max ou se este deixar de ter utilidade, não elimine o produto num caixote do lixo. Este produto pode ser separado para reciclagem.



A recolha separada de produtos e embalagens usados permite que os materiais sejam reciclados e reutilizados.

A reutilização de materiais reciclados ajuda a evitar a poluição ambiental e reduz a procura de matérias-primas.

A legislação local poderá prever a recolha separada de produtos domésticos eléctricos, seja em lixeiras municipais ou através do revendedor quando adquire um produto novo.

A Stanley Europe dispõe de instalações para recolha e reciclagem de produtos Stanley Fat Max quando estes atingem o fim da vida útil. Para usufruir deste serviço, devolva o produto em qualquer agente de reparação autorizado, que os recolherá em seu nome.

Pode verificar a localização do agente de reparação autorizado mais perto de si, contactando os escritórios locais da Stanley Europe através do endereço indicado neste manual. Se preferir, pode encontrar na Internet uma lista de agentes de manutenção autorizados Stanley Europe, detalhes completos e contactos do serviço pós-venda, no endereço: [www.2helpU.com](http://www.2helpU.com)

## Baterias



As pilhas Stanley Fat Max podem ser recarregadas muitas vezes. Quando as baterias chegarem ao fim da sua vida útil, elimine-as de forma segura para o ambiente:

- ◆ Deixe a bateria descarregar completamente e, em seguida, remova-a da ferramenta.
- ◆ As baterias de NiCd, NiMH e de íons de lítio são recicláveis. Leve as baterias ao seu agente de manutenção autorizado ou a uma estação de reciclagem local.



## Dados técnicos

FMC650 (H1)		
Tensão	$V_{dc}$	18
Velocidade sem carga	$min^{-1}$	0 - 2500
Comprimento de curso	mm	19
Profundidade máxima de corte		
Madeira	mm	55
Aço	mm	8
Alumínio	mm	20
Peso	kg	2.62

Carregador 905765** TYP 1		
Tensão de entrada	$V_{AC}$	220-240
Tensão de saída	$V_{DC}$	20 (Máx)
Corrente	A	2
Tempo de carga aprox.	min	120

Bateria FMC688L		
Tensão	$V_{DC}$	18
Capacidade	Ah	4.0
Tipo		lões de lítio

$L_{pA}$ (pressão acústica) 84.5 dB(A), Imprecisão (K) 3 dB(A)
$L_{WA}$ (potência acústica) 95.5 dB(A), Imprecisão (K) 3 dB(A)
Valores totais de vibração (soma de vectores triax) de acordo com EN 60745:
Cortar tábuas ( $a_{h,B}$ ) 6 $m/s^2$ , imprecisão (K) 1.5 $m/s^2$
Cortar folhas de metal ( $a_{h,M}$ ) 4.3 $m/s^2$ , imprecisão (K) 1.5 $m/s^2$

## Declaração de conformidade CE

DIRECTIVA PARA MÁQUINAS



Serra eléctrica sem fios - FMC650

A Stanley Europe declara que os produtos descritos em "dados técnicos" estão em conformidade com as seguintes normas:

2006/42/CE, EN 60745-1, EN 60745-2-11

Estes produtos estão também em conformidade com a Directiva 2004/108/CE e 2011/65/UE. Para obter mais informações, contacte a Stanley Europe no endereço indicado ou consulte a parte posterior do manual.

O signatário é responsável pela compilação do ficheiro técnico e efectua esta declaração em nome da Stanley Europe.

Kevin Hewitt

Vice-Presidente, Engenharia Global  
Stanley Europe, Egide Walschaertsstraat14-18,  
2800 Mechelen, Bélgica  
23/12/2013

## **Garantia**

A Stanley Europe confia na qualidade dos seus produtos e oferece uma garantia excelente a utilizadores profissionais do produto. Esta declaração de garantia é um complemento dos seus direitos contratuais como utilizador privado não profissional, não os prejudicando de forma alguma. A garantia é válida nos territórios dos Estados Membros da União Europeia e da Associação Europeia de Comércio Livre.

### **GARANTIA TOTAL DE UM ANO**

Se o seu produto Stanley Fat Max avariar devido a defeitos de material ou fabrico, num período de 12 meses após a data da compra, a Stanley Europe garante a substituição das peças defeituosas sem qualquer encargo ou – se assim o entendermos – a substituição da unidade sem encargos, desde que:

- ◆ O produto não tenha sido alvo de utilização indevida e tenha sido utilizado em conformidade com o manual de instruções.
- ◆ O produto tenha sido sujeito a um desgaste aceitável;
- ◆ Não tenham sido tentadas reparações por pessoas não autorizadas;
- ◆ Seja apresentada prova de compra.
- ◆ O produto Stanley Fat Max seja devolvido com todos os componentes originais

Se pretender fazer uma reclamação, contacte o seu vendedor ou verifique a localização do agente de manutenção autorizado Stanley Fat Max mais perto de si no catálogo Stanley Fat Max ou contacte os escritórios locais da Stanley no endereço indicado neste manual. Pode encontrar na Internet uma lista de agentes de manutenção autorizados Stanley Fat Max e detalhes completos do serviço pós-venda, no endereço: [www.stanley.eu/3](http://www.stanley.eu/3)

## Användningsområde

Den här Stanley Fat Max-figursågen är avsedd för sågning i trä, plast och tunn plåt. Verktøget är avsett för yrkesanvändare och privatkonsumenter.

## Säkerhetsföreskrifter

### Allmänna säkerhetsanvisningar för elverktøy



**Varning!** Läs alla säkerhetsanvisningar och alla anvisningar. Fel som uppstår till följd av att säkerhetsanvisningarna och anvisningarna nedan inte följts kan orsaka elstöt, brand och/eller allvarliga kroppsskador.

**Spara alla säkerhetsanvisningar och anvisningar för framtida bruk.** Begreppet "elverktøy" nedan syftar på nätdrivna elverktøy (med nätsladd) och batteridrivna elverktøy (sladdlösa).

#### 1. Säkerhet i arbetsområdet

- Håll arbetsområdet rent och väl upplyst.** Oordning och dålig belysning på arbetsplatsen kan leda till olyckor.
- För att undvika explosionsrisk bör du inte använda elverktøyet i omgivelningar med brännbara vätskor, gaser eller damm.** Elverktøy alstrar gnistor som kan antända dammet eller gaserna.
- Håll barn och andra personer på betryggande avstånd när du använder elverktøy.** Om du störs kan du förlora kontrollen.

#### 2. Elsäkerhet

- Elverktøyet stickkontakt måste passa i eluttaget.** Stickkontakten får absolut inte ändras. Använd inte adapterkontakter tillsammans med jordade elverktøy. Med oförändrade stickkontakter och passande vägguttag minskas risken för elstöt.
- Undvik kroppskontakt med jordade ytor som t.ex. rör, värmeelement, spisar och kylskåp.** Det finns en större risk för elstöt om din kropp är jordad.
- Skydda elverktøyet mot regn och väta.** Om vatten tränger in i ett elverktøy ökar risken för elektriska stötter.
- Hantera inte nätsladden ovarsamt.** Använd inte sladden för att bära eller dra elverktøyet och inte heller för att dra ut kontakten ur vägguttaget. Håll nätsladden borta från värme, olja, skarpa kanter och rörliga maskindelar. Risken att du får en elstöt är större om sladdarna är skadade eller tilltrasslade.
- Använd endast förlängningssladdar som är godkända för utomhusbruk när du arbetar med elverktøy utomhus.** Om du använder en förlängningssladd som är avsedd för utomhusbruk minskar risken för att du ska få en elstöt.

- Om du måste använda ett elverktøy på en fuktig plats ska du använda jordfelsbrytare.** Jordfelsbrytaren minskar risken för stöt.

#### 3. Personlig säkerhet

- Var uppmärksam, se på vad du gör och använd elverktøyet med förnuft.** Använd inte elverktøyet när du är trött eller om du är påverkad av droger, alkohol eller mediciner. Under användning av elverktøy kan även en kort uppmärksamhet leda till allvarliga kroppsskador.
- Använd skyddsutrustning. Bär alltid skyddsglasögon.** Den personliga skyddsutrustningen, t.ex. dammfiltermask, halkfria säkerhetsskor, hjälm och hörselskydd, minskar risken för kroppsskada när den används vid rätt tillfällen.
- Undvik oavsiktlig igångsättning. Kontrollera att strömbrytaren står i avstängt läge innan du ansluter verktøyet till elnätet eller sätter i batteriet samt innan du tar upp eller bär verktøyet.** Det kan vara mycket farligt att bära ett elverktøy med fingret på strömbrytaren eller koppla det till nätet respektive sätta i batteriet med strömbrytaren i till-läge.
- Ta bort alla inställningsverktøy och skruvnycklar innan du startar elverktøyet.** Ett verktøy eller en nyckel i en roterande komponent kan medföra kroppsskada.
- Sträck dig inte för långt. Se till att du alltid har säkert fotfäste och balans.** På så sätt kan du lättare kontrollera elverktøyet i oväntade situationer.
- Bär lämpliga kläder. Bär inte löst hängande kläder eller smycken.** Håll undan hår, kläder och handskar från rörliga delar. Löst hängande kläder, smycken och långt hår kan dras in av roterande delar.
- Om elverktøyet har utrustning för dammsugning och -uppsamling ska du kontrollera att utrustningen är rätt monterad och används på korrekt sätt.** Utrustningen kan minska riskerna när damm bildas.

#### 4. Bruk och skötsel av elverktøy

- Överbelasta inte elverktøyet.** Använd rätt elverktøy för det aktuella arbetet. Med rätt elverktøy kan du arbeta bättre och säkrare med det som verktøyet är avsett för.
- Använd inte elverktøyet om det inte går att starta och stänga av det med strömbrytaren.** Ett elverktøy som inte kan startas och stängas av med strömbrytaren är farligt och måste repareras.
- Dra ut stickproppen ur vägguttaget och/eller ta ut batteriet ur elverktøyet innan inställningar utförs, tillbehör byts eller elverktøyet ställs undan.** Denna säkerhetsåtgärd förhindrar oavsiktlig start av elverktøyet.
- Förvara elverktøy utom räckhåll för barn. Låt inte elverktøyet användas av personer som inte är vana vid det, eller som inte läst denna bruksanvisning.** Elverktøy är farliga om de används av oerfarna personer.

- e. Sköt elverktuget omsorgsfullt. Kontrollera att rörliga komponenter fungerar felfritt och inte kärvar, att komponenter inte gått sönder eller skadats och inget annat föreligger som kan påverka elverktugets funktion. Om elverktuget är skadat ska du se till att få det reparerat innan det används. Många olyckor orsakas av dåligt skötta elverktyg.
- f. Håll skärverktyg vassa och rena. Omsorgsfullt skötta skärverktyg med skarp egg fastnar inte så lätt och går lättare att styra.
- g. Använd elverktuget, tillbehör, insatsverktyg osv. enligt dessa anvisningar och på sätt som föreskrivits för aktuell verktygsmodell. Ta hänsyn till arbetsvillkoren och arbetsmomenten. Om elverktuget används på icke ändamålsenligt sätt kan farliga situationer uppstå.

## 5. Användning och skötsel av elverktyg

- a. Ladda endast med hjälp av den laddare som tillverkaren rekommenderar. En laddare som passar till en viss sorts batteri kan orsaka eldsvåda om den används med en annan sort.
- b. Använd elverktuget endast med batterier som är speciellt avsedda för ändamålet. Användning av andra batterier kan leda till personskador eller eldsvåda.
- c. När batteriet inte används ska du hålla det åtskilt från metallföremål som gem, mynt, nycklar, spik, skruvar och andra små metallföremål som kan orsaka kortslutning mellan batteriets poler. Kortslutning av batteripolerna kan leda till brännskador eller eldsvåda.
- d. Om batteriet hanteras ovarsamt kan det tränga ut vätska från batteriet. Undvik kontakt med vätskan. Om du ändå råkar komma i kontakt med vätskan ska du skölja med vatten. Uppsök läkare om du får vätskan i ögonen. Batterivätska kan orsaka irritation eller brännskador.

## 6. Service

- a. Elverktuget ska bara repareras av utbildade reparatörer och med originalreservdelar. Detta säkerställer att elverktuget förblir säkert.

## Ytterligare säkerhetsanvisningar för elverktyg



**Varning!** Ytterligare säkerhetsanvisningar för figursågar och pendelsågar

- ◆ Håll verktyget i de isolerade greppytorna vid arbete där bladet riskerar att komma i kontakt med dolda elledningar. Om bladet går igenom en strömförande ledning kan verktygets metalldelar bli strömförande och ge dig en elektrisk stöt.

- ◆ Fäst arbetsstycket vid ett stabilt underlag med tvingar eller på något annat lämpligt sätt. Om du håller fast arbetsstycket med handen eller trycker det mot kroppen blir det instabilt och du kan förlora kontrollen.
- ◆ Håll händerna borta från arbetsområdet. Sträck aldrig in händerna under arbetsstycket. Undvik att ha fingrarna i närheten av det pendlande sågbladet och bladklämmen. Undvik att stabilisera sågen genom att hålla i sågskon.
- ◆ Håll sågbladen välslipade. Slöa eller skadade sågblad kan orsaka att sågen kommer i svängning eller stannar helt när den belastas. Använd alltid en typ av sågblad som är lämplig för det material du ska såga i och för hur du ska såga.
- ◆ Vid sågning i rör och liknande ska du se till att de inte innehåller vatten, elledningar osv.
- ◆ Undvik att vidröra arbetsstycket eller sågbladet direkt efter sågning. De kan bli mycket varma.
- ◆ Var uppmärksam på dolda faror innan du sågar i väggar, golv eller tak; kontrollera om det finns rör eller elledningar.
- ◆ Sågbladet fortsätter att röra sig en kort stund efter att du har släppt strömbrytaren. Stäng alltid av verktyget och vänta tills sågbladet har stannat helt innan du lägger det ifrån dig.

**Varning!** Sågning ger upphov till damm som kan skada den som använder verktyget och andra i närheten vid kontakt eller inandning. Använd en specialkonstruerad ansiktsmask som skyddar mot damm och ångor och se till att personer som vistas inom eller i närheten av arbetsområdet också är skyddade.

- ◆ Användningsområdet beskrivs i den här bruksanvisningen. Om andra tillbehör eller tillsatser används, eller om någon annan åtgärd än de som rekommenderas i den här bruksanvisningen utförs med verktyget, kan personer och/eller egendom skadas.

## Säkerhet för andra

- ◆ Verktyget ska inte användas av personer (inklusive barn) med nedsatt fysisk eller mental förmåga eller bristande erfarenhet och kunskap om de inte får vägledning och övervakas av en person som ansvarar för deras säkerhet.
- ◆ Barn ska hållas under uppsikt så att de inte leker med verktyget.

## Övriga risker.

Ytterligare risker som inte finns med i de bifogade säkerhetsanvisningarna kan uppstå när verktyget används. Dessa risker kan uppstå vid felaktig användning, långvarig användning, o.s.v.

Även om alla relevanta säkerhetsanvisningar följs och säkerhetsanordningar används kan vissa ytterligare risker inte undvikas. Dessa innefattar:

- ◆ Skador orsakade av att roterande/rörliga delar vidrörs.
- ◆ Skador som uppstår vid byte av delar, blad eller tillbehör.

- ◆ Skador som orsakas av långvarig användning av ett verktyg. Se till att ta regelbundna raster när du använder ett verktyg under en längre period.
- ◆ Skador på hörseln.
- ◆ Hälsorisker orsakade av inandning av damm när verktyget används (exempel: arbete med trä, särskilt ek, bok och MDF).

## Vibrationer

De vibrationsvärden som anges i avsnitten Tekniska data och EG-deklarationen om överensstämmelse har uppmätts i enlighet med en standardtestmetod föreskriven i EN 60745 och kan användas för jämförelse med andra verktyg. Det angivna vibrationsvärdet kan även användas för en preliminär bedömning av exponeringen.

**Varning!** Vibrationsvärdet under faktisk användning av elverktyget kan skilja sig från det uppgivna värdet beroende på hur verktyget används. Vibrationsnivån kan överstiga den uppgivna nivån.

Vid uppskattning av vibrationsexponering i syfte att bedöma vilka säkerhetsåtgärder som är nödvändiga enligt 2002/44/EG för att skydda personer som regelbundet använder elverktyg i arbetet ska man utgå från de faktiska omständigheter under vilka elverktyget används och sättet på vilket det används. Bedömningen ska även ta hänsyn till alla moment i arbetscykeln, t.ex. när verktyget är avstängt och när det går på tomgång såväl som när det faktiskt används.

## Etiketter på verktyget

Följande symboler finns på verktyget:



**Varning!** Läs bruksanvisningen före användning för att minska risken för olyckor.

## Ytterligare säkerhetsinstruktioner för batterier och laddare

### Batterier

- ◆ Försök aldrig att öppna batterierna.
- ◆ Utsätt inte batteriet för vatten.
- ◆ Förvara inte på platser där temperaturen kan bli högre än 40 °C.
- ◆ Ladda endast vid temperaturer mellan 10 °C och 40 °C.
- ◆ Ladda endast med hjälp av laddare som medföljer verktyget.
- ◆ Följ instruktionerna i avsnittet "Miljö" när du kastar batterierna.



**Försök inte ladda skadade batterier.**

### Laddare

- ◆ Laddaren från Stanley Fat Max får bara användas för att ladda batteriet i det verktyg som laddaren levererades med. Andra batterier kan spricka och orsaka personskador och andra skador.
- ◆ Försök aldrig ladda batterier som inte är uppladdningsbara.
- ◆ Byt defekta sladdar omgående.
- ◆ Utsätt inte laddaren för vatten.
- ◆ Öppna inte laddaren.
- ◆ Gör ingen åverkan på laddaren.



Laddaren är endast avsedd för användning inomhus.



Läs den här bruksanvisningen före användning.

### Elsäkerhet



Eftersom laddaren är dubbelisolerad behövs ingen jordledare. Kontrollera alltid att nätspänningen överensstämmer med värdet på typskylten. Försök aldrig byta ut kontakten till laddaren mot en vanlig kontakt.

- ◆ Om nätsladden är skadad måste den bytas ut av tillverkaren eller en auktoriserad Stanley Fat Max-verkstad för att farliga situationer ska undvikas.

## Funktioner

Det här verktyget har några eller samtliga av följande funktioner:

1. Strömbrytare med variabel hastighet
2. Låsknapp
3. Låsspak för sågblad
4. Bladklämma
5. Sågplatta
6. Sägningssknapp
7. Batteri

### fig. A

8. Batteriladdare
9. Laddningsindikator

## Montering

**Varning!** Ta bort batteriet från verktyget och se till att sågbladet har stannat innan montering påbörjas. Ett sågblad som nyligen använts kan vara hett.

### Montera och ta bort sågbladet (fig. B)

- ◆ Håll sågbladet (10) med tänderna framåt.
- ◆ Lyft låsspaken för sågbladet (3) uppåt.
- ◆ Tryck in bladets skaft så långt som möjligt i bladklämman (4).
- ◆ Släpp spaken.
- ◆ Ta bort sågbladet (10) genom att lyfta låsspaken för sågbladet (3) uppåt och dra ut bladet.

### Montera och ta bort batteriet (fig. C)

- ◆ Sätt i batteriet (7) genom att placera det i linje med kontakten på verktyget. Skjut in batteriet på dess plats och tryck tills batteriet snäpper på plats.
- ◆ Ta ur batteriet genom att trycka på lösgörningsknapparna (11) samtidigt som du drar ut batteriet från dess plats.

## Användning

**Varning!** Låt verktyget arbeta i sin egen takt. Överbelasta det inte.

**Varning!** Använd aldrig verktyget om sågplattan är lös eller borttagen.

### Ladda batteriet (fig. A)

Batteriet måste laddas innan det används för första gången samt varje gång det inte ger tillräckligt hög effekt för arbeten som tidigare klarades av. Batteriet kan bli varmt när det laddas. Det är normalt och innebär inte att något är fel.

**Varning!** Ladda inte batteriet om lufttemperaturen är lägre än 10 °C eller högre än 40 °C. Rekommenderad laddningstemperatur: cirka 24 °C.

**Obs!** Laddaren laddar inte batteriet om celltemperaturen är lägre än ungefär 10 °C eller högre än 40 °C.

Batteriet får då sitta kvar i laddaren, som kommer att börja laddningen automatiskt när celltemperaturen har stigit eller sjunkit.

- ◆ Vid laddning av batteriet (7) sätter du det i laddaren (8). Batteriet kan bara placeras i laddaren på ett sätt. Använd inte våld. Se till att batteriet sitter ordentligt i laddaren.

- ◆ Anslut laddaren till vägguttaget.

Laddningsindikatorn (9) börjar blinka.

När batteriet är laddat börjar laddningsindikatorn (9) lysa med ett fast sken. Laddaren och batteriet kan lämnas anslutna hur länge som helst. Indikatorn tänds eftersom laddaren då och då fyller på batteriets laddning.

- ◆ Urladdade batterier bör laddas inom en vecka. Om batterierna inte laddas när de är urladdade försämras batteritiden avsevärt.

## Lämna batteriet i laddaren

Batteriet kan sitta kvar i laddaren och laddaren kan vara ansluten till vägguttaget hur länge som helst när indikatorn lyser. Laddaren ser till att batteriet hålls fräscht och fulladdat.

## Laddardiagnostik

Om laddaren upptäcker ett svagt eller skadat batteri börjar laddningsindikatorn (9) att blinka rött snabbt. Gör så här:

- ◆ Sätt i batteriet (7) igen.
- ◆ Om laddningsindikatorn fortsätter att blinka rött snabbt kan du använda ett annat batteri för att kontrollera om laddningsprocessen fungerar som den ska.
- ◆ Om det utbytta batteriet kan laddas utan problem är det gamla batteriet defekt och bör lämnas till ett servicecenter för återvinning.
- ◆ Om problemet kvarstår med det nya batteriet bör du ta med laddaren till ett auktoriserat servicecenter.

**Obs! Det kan ta upp till 30 minuter att avgöra om batteriet är defekt. Om batteriet är för varmt eller för kallt blinkar indikatorn omväxlande rött snabbt och långsamt med en blinkning i varje hastighet.**

## Slå på och av (fig. D och E)

- ◆ Starta verktyget genom att föra låsreglaget (2) åt vänster och sedan dra och hålla kvar strömbrytaren för variabel hastighet (1).
- ◆ Stäng av genom att släppa upp strömbrytaren (1).

**Varning!** Slå inte på eller stäng av verktyget när det är belastat.

**Varning!** För alltid låsreglaget (2) åt höger, till låst läge, när verktyget inte används.

## Variabel hastighet

Med strömbrytaren för variabel hastighet kan du anpassa hastigheten beroende på vilket material du sågar i och därigenom öka effektiviteten.

- ◆ Hastigheten bestäms av hur långt du drar upp strömbrytaren (1).

## Snedsågning (fig. F, G och H)

Sågplattan kan vinklas upp till 45° åt vänster eller höger.

### Ställa in lutningsvinkeln:

- ◆ Lossa sågplattans fästbult (12) med den medföljande insexnyckeln får att frigöra sågplattan (5).
- ◆ Dra sågplattan (5) framåt för att frigöra den från det fasta läget 0°.
- ◆ Vrid sågplattan till önskad vinkel (fig. G).
- ◆ Dra sågplattan bakåt så att den passar i det vänstra eller högra fasta läget.
- ◆ Dra åt sågplattans fästbult (12) med den medföljande insexnyckeln får att låsa sågplattan (5) i önskat läge.

**Obs!** Sågplattan kan vinklas åt vänster eller höger och har fasta lägen vid 45 °.

### Sågning (fig. 1)

Den här figursågen har tre sågningsfunktioner, två excenter och en rak. Excenterfunktionen har en mer aggressiv blad rörelse och är avsedd för sågning i mjuka material som trä eller plast. Excenterläget ger en snabbare sågning men med mindre noggrannhet. I excenterläget rör sig bladet framåt under sågningen i stället för uppåt och nedåt.

**Varning!** Såga aldrig i metall eller hårt trä i excenterläge.

- ◆ För sågningsfunktionsknappen (6) mellan de tre sågningslägena: 0, 1 och 2.
- ◆ Läge 0 är för rak sågning.
- ◆ Lägena 1 och 2 är för excentersågning.
- ◆ Sågrörelserna blir aggressivare när spaken flyttas från ett till två, där två innebär aggressivare sågning.

### Sågning

- ◆ Håll alltid i verktyget med båda händerna.
- ◆ Låt sågbladet gå i några sekunder innan du börjar såga.
- ◆ Tryck bara försiktigt på sågen medan du sågar.
- ◆ Om det är möjligt bör du hålla sågplattan (5) tryckt mot arbetsstycket när du arbetar. På så sätt får du bättre kontroll över verktyget. Dessutom minskar vibrationerna från verktyget och bladet skyddas.

### Råd för optimal användning

#### Allmänt

- ◆ Välj hög hastighet för trä, medelhög för aluminium och plast, samt låg hastighet för andra metaller än aluminium.

### Såga i laminat

Eftersom sågbladet skär på vägen upp kan ytan närmast skyddsplåten flisas.

- ◆ Använd ett fintandat sågblad.
- ◆ Vänd arbetsmaterialets undersida uppåt när du sågar.
- ◆ Minska risken för flisor genom att tvinga fast en överbliven träbit eller hård träfiberskiva på båda sidor av arbetsmaterialet och såga genom alltihop som en dubbelsmörgås.

### Såga i metall

Tänk på att det tar mycket längre tid att såga i metall än i trä.

- ◆ Välj ett sågblad som lämpar sig för metallsågning. Använd ett fintandat sågblad för järnhaltiga metaller och ett grövre sågblad för icke-järnhaltiga metaller.
- ◆ Vid sågning av tunn metallplåt tvingar du fast en överbliven träbit på arbetsmaterialets undersida och sågar genom båda lagren som en dubbelsmörgås.
- ◆ Smörj såglinjen med olja innan du sågar.

### Tillbehör

Verktygets prestanda beror på vilka tillbehör du använder. Stanley Fat Max-tillbehören är av hög kvalitet och konstruerade för att fungera optimalt med verktyget. Med dessa tillbehör får du ut det bästa av verktyget.

Sågblad med både U-skaft och T-skaft kan användas med detta verktyg.

### Underhåll

Detta verktyg har tillverkats för att fungera under lång tid med ett minimum av underhåll. Med rätt underhåll och regelbunden rengöring behåller verktyget sina prestanda.

**Varning!** Innan något underhåll utförs måste verktyget stängas av och sladden dras ur vägguttaget.

- ◆ Rengör regelbundet verktygets luftintag och laddaren med en mjuk borste eller torr trasa.
- ◆ Rengör kåpan regelbundet med en fuktig trasa. Använd aldrig rengöringsmedel med lösnings- eller slipmedel.
- ◆ Applicera då och då en droppe olja på bladstödrullens axel.

### Byte av nätkontakt (endast Storbritannien och Irland)

Byt kontakten på följande sätt:

- ◆ Gör dig av med den gamla kontakten på lämpligt sätt.
- ◆ Anslut den bruna ledningen till den strömförande anslutningen i den nya kontakten.
- ◆ Anslut den blå ledningen till den icke strömförande anslutningen.

**Varning!** Anslut inte till jordanslutningen. Följ monteringsanvisningarna som medföljer kontakter av god kvalitet. Rekommenderad säkring: 5 A.

### Miljö



Separat insamling. Produkten får inte kastas i hushållssoporna.

Tänk på miljön när du slänger denna Stanley Fat Max-produkt. Släng den inte tillsammans med hushållsavfallet. Lämnar produkten för separat insamling.



Insamling av uttjänta produkter och förpackningsmaterial gör att material kan återanvändas. Användning av återvunnet material minskar föroreningar av miljön och behovet av råmaterial.

Lokala föreskrifter kan kräva separat insamling av elprodukter från hushållen, vid kommunala samlingsplatser eller hos återförsäljaren när du köper en ny produkt.

Stanley Europe samlar in och återvinner uttjänta Stanley Fat Max-produkter. Om du vill utnyttja denna tjänst återlämnar du produkten till en auktoriserad verkstad, som samlar in den för vår räkning.

För information om närmaste auktoriserade verkstad, kontakta det lokala Stanley Europe-kontoret på den adress som är angiven i bruksanvisningen. En lista över alla auktoriserade Stanley Europe-verkstäder samt servicevillkor finns på Internet: [www.2helpU.com](http://www.2helpU.com)

## Batterier



Batterier från Stanley Fat Max kan laddas om många gånger. Kassera batterierna på ett miljövänligt sätt när de är förbrukade:

- ◆ Låt batteriet laddas ur helt och ta sedan ut det ur verktyget.
- ◆ Batterier av typerna nickelkadmium (NiCd), nickelmetallhydrid (NiMH) och litiumjon kan återvinnas. Ta med dem till en auktoriserad verkstad eller en återvinningsstation.

## Tekniska data

FMC650 (H1)		
Spänning	$V_{dc}$	18
Tomgångshastighet	$min^{-1}$	0 - 2500
Slaglängd	mm	19
Maximalt sågningdjup		
Trä	mm	55
Stål	mm	8
Aluminium	mm	20
Vikt	kg	2,62

Laddare 905765** TYP 1		
Inspänning	$V_{AC}$	220-240
Utspänning	$V_{DC}$	20 (max)
Strömstyrka	A	2
Laddningstid, cirka	min	120

Batteri FMC688L		
Spänning	$V_{DC}$	18
Kapacitet	Ah	4.0
Typ	Litiumjon	

$L_{pA}$ (ljudnivå) 84.5 dB(A), osäkerhet (K) 3 dB(A)
$L_{WA}$ (ljudeffekt) 95.5 dB(A), osäkerhet (K) 3 dB(A)
<b>Totala vibrationsvärden (vektorsumman av tre axlar) enligt EN 60745:</b>
Skivsågning ( $a_{h,B}$ ) 6 $m/s^2$ , osäkerhet (K) 1.5 $m/s^2$
Plåtsågning ( $a_{h,M}$ ) 4.3 $m/s^2$ , osäkerhet (K) 1.5 $m/s^2$

## EG-deklaration om överensstämmelse

MASKINDIREKTIV



Sladdlös figursåg - FMC650

Stanley Europe garanterar att produkterna som beskrivs under "Tekniska data" uppfyller:

2006/42/EG, EN 60745-1, EN 60745-2-11

De här produkterna överensstämmer även med direktiven 2004/108/EG och 2011/65/EU. Mer information får du genom att kontakta Stanley Europe på följande adress eller titta i slutet av bruksanvisningen.

Undertecknad är ansvarig för sammanställningen av tekniska data och gör denna försäkran för Stanley Europe.

Kevin Hewitt  
Vice-President Global Engineering  
Stanley Europe, Egide Walschaertsstraat14-18,  
2800 Mechelen, Belgien  
23/12/2013



## Garanti

Stanley Europe garanterar att produkten är fri från material- och/eller fabrikationsfel vid leverans till kunder som använder produkten i arbetet. Garantin gäller utöver eventuella avtalsrättigheter för privatkonsumentens rättigheter enligt lag och påverkar inte dessa. Garantin gäller inom medlemsstaterna i Europeiska Unionen och i det Europeiska Frihandelsområdet.

## ETT ÅRS FULL GARANTI

Om din Stanley Fat Max-produkt går sönder på grund av material- och/eller fabrikationsfel inom 12 månader från köpet, åtar sig Stanley Europe att byta ut alla trasiga delar utan kostnad med minsta besvär för kunden eller, efter eget godtycke, utan kostnad byta ut produkten förutsatt att:

- ◆ produkten inte har missköts och har använts enligt bruksanvisningen.
- ◆ produkten har utsatts för normalt slitage.
- ◆ reparationer inte har utförts av personer som inte är auktoriserade reparatörer.
- ◆ inköpskvitto finns.
- ◆ Stanley Fat Max-produkten returneras komplett med alla originaldelar

Om du vill göra ett garantianspråk kontaktar du återförsäljaren, letar upp närmaste auktoriserade Stanley Fat Max-verkstad i Stanley Fat Max-katalogen eller kontaktar det lokala Stanley-kontoret på den adress som är angiven i bruksanvisningen. En lista över alla auktoriserade Stanley Fat Max-verkstäder samt servicevillkor finns på Internet:[www.stanley.eu/3](http://www.stanley.eu/3)

## Bruksområde

Stanley Fat Max-stikksagen er konstruert for saging av treverk, plast og metallplater. Dette verktøyet er tiltenkt både fagarbeidere og private brukere.

## Sikkerhetsinstruksjoner

### Generelle sikkerhetsadvarsler for elektroverktøy



**Advarsel!** Les alle sikkerhetsadvarsler og alle instruksjoner. Hvis advarslene og anvisningene nedenfor ikke overholdes, kan det medføre elektrisk støt, brann og/eller alvorlige personskader.

**Ta vare på alle advarsler og instruksjoner for fremtidig bruk.** Begrepet "elektroverktøy" i advarslene nedenfor gjelder nettdrevet elektroverktøy (med ledning) eller batteridrevet elektroverktøy (uten ledning).

#### 1. Sikkerhet i arbeidsområdet

- Hold arbeidsområdet rent og godt opplyst.** Rotete eller mørke områder fører lett til ulykker.
- Ikke arbeid med elektroverktøy i eksplosjonsfarlige omgivelser – der det befinner seg brennbare væsker, gass eller støv.** Elektroverktøy forårsaker gnister som kan antenne støv eller gass/damp.
- Hold barn og andre personer unna når du bruker et elektroverktøy.** Hvis du blir forstyrret under arbeidet, kan du miste kontrollen.

#### 2. Elektrisk sikkerhet

- Støpselet til elektroverktøy må passe i stikkkontakten. Støpselet må ikke forandres på noen som helst måte. Ikke bruk adapterstøpsler sammen med jordede elektroverktøy.** Bruk av originale støpsler og passende stikkontakter reduserer risikoen for elektrisk støt.
- Unngå kroppskontakt med jordede overflater som rør, radiatorer, komfyrer og kjøleskap.** Det er større fare for elektrisk støt dersom kroppen din er jordat.
- Hold elektroverktøy unna regn eller fuktighet.** Dersom det kommer vann i et elektroverktøy, øker faren for elektrisk støt.
- Unngå uforsvarlig behandling av ledningen. Bruk aldri ledningen til å bære eller trekke elektroverktøyet eller til å trekke ut støpselet. Hold ledningen unna varme, olje, skarpe kanter eller bevegelige deler.** Skadde eller sammenflokede ledninger øker risikoen for elektrisk støt.
- Når du bruker et elektroverktøy utendørs, må du bruke en skjøteledning som er egnet for utendørs bruk.** Når du bruker en skjøteledning som er egnet for utendørs bruk, reduseres risikoen for elektrisk støt.

- Hvis du ikke kan unngå å bruke et elektroverktøy på et fuktig sted, bruker du strømforsyning som er beskyttet med jordfeilbryter.** Bruk av jordfeilbryter reduserer risikoen for elektrisk støt.

#### 3. Personssikkerhet

- Vær oppmerksom, pass på hva du gjør, og vis fornuft når du arbeider med et elektroverktøy. Ikke bruk elektroverktøy når du er trett eller er påvirket av narkotika, alkohol eller medikamenter.** Et øyeblikks uoppmerksomhet under bruk av verktøyet kan føre til alvorlige personskader.
- Bruk personlig verneutstyr. Bruk alltid vernebriller.** Bruk av personlig verneutstyr, for eksempel støvmaske, sklisikre vernesko, hjelm eller hørselvern som passer til forholdene, reduserer risikoen for personskader.
- Forhindre utilsiktet start. Kontroller at bryteren står i posisjon "av" før du kobler til strømkilden og/eller batteripakken, og før du tar opp eller bærer verktøyet.** Det kan føre til ulykker hvis du bærer elektroverktøyet med fingeren på bryteren, eller setter strøm på verktøyet når bryteren står på.
- Fjern eventuelle innstillingsverktøy eller skruverktøy før du slår på elektroverktøyet.** Et skruverktøy eller en nøkkel som fortsatt er festet til en roterende del av elektroverktøyet, kan føre til personskade.
- Ikke strekk deg for langt. Pass på at du alltid har sikkert fotfeste og god balanse.** Da kan du kontrollere elektroverktøyet bedre i uventede situasjoner.
- Bruk egnede klær. Ikke bruk løstsittende klær eller smykker. Hold hår, klær og hansker unna bevegelige deler.** Løstsittende tøy, smykker eller langt hår kan bli sittende fast i bevegelige deler.
- Hvis det kan monteres støvavsug- og oppsamlingsinnretninger, må du forvise deg om at disse er tilkoblet og brukes på riktig måte.** Bruk av støvoppsamling kan redusere faren i forbindelse med støv.

#### 4. Bruk og behandling av elektroverktøy

- Ikke bruk makt på elektroverktøyet. Bruk riktig elektroverktøy for bruksområdet.** Med et passende elektroverktøy arbeider du bedre og sikrere med den farten det er beregnet for.
- Ikke bruk elektroverktøyet hvis du ikke kan slå det på og av med bryteren.** Et elektroverktøy som ikke kan kontrolleres med bryteren, er farlig og må repareres.
- Trekk støpselet ut av stikkkontakten og/eller koble fra batteripakken på elektroverktøyet før du utfører innstillinger, bytter tilbehør eller legger elektroverktøyet bort.** Disse forebyggende sikkerhetstiltakene reduserer risikoen for utilsiktet start av elektroverktøyet.

- d. **Elektroverktøy som ikke er i bruk, må oppbevares utilgjengelig for barn. Ikke la verktøyet bli brukt av personer som ikke er fortløpig med det, eller som ikke har lest denne bruksanvisningen.** Elektroverktøy er farlige når de brukes av uerfarne personer.
- e. **Sørg for vedlikehold av elektroverktøy. Undersøk om bevegelige deler er feiljustert eller blokkert, om deler er skadet, og om det er andre forhold som kan påvirke elektroverktøyet funksjon. Hvis elektroverktøyet er skadet, må det repareres før bruk.** Dårlig vedlikeholdt elektroverktøy er årsaken til mange ulykker.
- f. **Hold skjæreverktøy skarpe og rene.** Godt vedlikeholdte skjæreverktøy med skarpe egger setter seg ikke så ofte fast og er lettere å føre.
- g. **Bruk elektroverktøy, tilbehør, bits osv. i henhold til disse instruksjonene. Ta hensyn til arbeidsforholdene og arbeidet som skal utføres.** Bruk av elektroverktøy til andre formål enn det som er angitt, kan føre til farlige situasjoner.
5. **Bruk og stell av batteriverktøyet**
- a. **Gjenoppladningen skal bare skje med den laderen som produsenten har spesifisert.** En lader som er egnet til én type batteripakke, kan føre til brannrisiko når den brukes med en annen batteripakke.
- b. **Bruk elektroverktøy bare med spesifikt angitte batteripakker.** Bruk av andre batteripakker kan føre til fare for personskader og brann.
- c. **Når batteripakken ikke er i bruk, må du oppbevare den atskilt fra andre metallgjenstander som binders, mynter, nøkler, spiker, skruer eller andre små metallgjenstander som kan opprette en forbindelse fra en terminal til en annen.** Kortslutning av batteriterminalene kan føre til forbrenning eller brann.
- d. **Under uheldige forhold kan det lekke væske fra batteriet. Unngå å komme i kontakt med væsken. Dersom du ved et uhell kommer i kontakt med væsken, må du skylle med vann. Får du batterivæske i øynene, må du i tillegg oppsøke lege.** Væske som lekker fra batteriet, kan forårsake irritasjoner eller forbrenninger.
6. **Service**
- a. **Elektroverktøy skal alltid repareres av kvalifisert personell og kun med originale reservedeler.** Dette sikrer at elektroverktøyet sikkerhet opprettholdes.
- ◆ **Hold elektroverktøyet i de isolerte grepene når du utfører et arbeid hvor skjæretilbehøret kan komme i kontakt med skjulte ledninger.** Hvis skjæretilbehøret kommer i kontakt med en strømførende ledning, kan frittliggende metallgeler på verktøyet bli strømførende, og brukeren kan få elektrisk støt.
- ◆ **Bruk klemmer eller andre praktiske metoder for å spenne fast og støtte arbeidsstykket på en stabil platform.** Hvis arbeidsstykket holdes med hånden eller inn mot kroppen, vil det være ustabil, og dette kan lett føre til at du mister kontrollen.
- ◆ **Hold hendene borte fra skjærområdet.** Du må aldri gripe under arbeidsstykket av noen som helst årsak. Ikke før fingre eller tommel inn i nærheten av sagbladet som går frem og tilbake, og sagbladfestet. Ikke stabiliser sagen ved å ta tak i foten.
- ◆ **Hold bladene skarpe.** Sløve eller skadde sagblader kan få sagen til å bøye av eller stanse under press. Bruk alltid sagblader som egner seg for arbeidsstykkets materiale og den type saging det er snakk om.
- ◆ **Når du sager rør eller kanaler, må du kontrollere at de er fri for vann, elektriske ledninger osv.**
- ◆ **Ikke berør arbeidsstykket eller sagbladet straks etter at du har brukt verktøyet.** De kan bli svært varme.
- ◆ **Vær oppmerksom på skjulte farer før du sager i vegger, gulv eller tak.** Lokaliser eventuelle kabler og rør.
- ◆ **Sagbladet vil fortsatt være i bevegelse etter at bryteren slippes løs.** Slå alltid verktøyet av, og vent til sagbladet stanser helt, før du setter verktøyet ned.
- Advarsel!** Kontakt med eller inhalering av støv som oppstår ved skjæring, kan være helseskadelig for operatøren og eventuelle tilskuere. Bruk en maske som verner spesielt mot støv og damp, og pass på at andre som oppholder seg eller kommer inn i området der du arbeider, også beskytter seg.
- ◆ Beregnet bruk er beskrevet i denne håndboken. Bruk av tilbehør eller utføring av oppgaver som ikke er anbefalt for verktøyet i denne håndboken, kan medføre fare for personskade og/eller skade på eiendom.
- Andre personers sikkerhet**
- ◆ Det er ikke meningen at dette verktøyet skal brukes av personer (inkludert barn) med reduserte fysiske, sansemessige eller mentale evner, eller som mangler erfaring og kunnskap, med mindre de har fått oppfølging eller instruksjon når det gjelder bruken av apparatet, fra en person som er ansvarlig for deres sikkerhet.
- ◆ Barn skal være under oppsyn så du er sikker på at de ikke leker med produktet.

### Ytterligere sikkerhetsadvarsler for elektroverktøy



**Advarsel!** Ytterligere sikkerhetsadvarsler for stikksager og bajonettsager

## Andre risikoeer

Ved bruk av verktøyet kan det oppstå ytterligere risikoeer som kanskje ikke er inkludert i sikkerhetsadvarslene som følger med. Disse risikoene kan bli forårsaket av feil bruk, langvarig bruk osv.

Selv om de relevante sikkerhetsbestemmelsene blir fulgt, og sikkerhetstiltakene blir gjennomført, kan visse gjenværende risikoeer ikke unngås. Disse omfatter:

- ◆ Personskader som forårsakes av berøring av en roterende/bevegelig del.
- ◆ Personskader som forårsakes av at en del, et blad eller tilbehør endres.
- ◆ Personskader som forårsakes av langvarig bruk av et verktøy. Når du bruker et verktøy i lange perioder, må du sørge for å ta regelmessige pauser.
- ◆ Svekket hørsel.
- ◆ Helsefarer som forårsakes av innånding av støv som dannes når du bruker verktøyet (eksempel: arbeid med tre, spesielt eik, bøk og MDF).

## Vibrasjon

Vibrasjonsemisjonsverdien som er angitt under tekniske data og samsvarserklæring, er blitt målt i henhold til en standard testmetode som er angitt i EN 60745, og kan brukes til å sammenligne et verktøy med et annet. Den oppgitte vibrasjonsemisjonsverdien kan også brukes til en foreløpig vurdering av eksponering.

**Advarsel!** Vibrasjonsemisjonsverdien under faktisk bruk av elektroverktøyet kan avvike fra den oppgitte verdien avhengig av måten verktøyet blir brukt på. Vibrasjonsnivået kan øke over nivået som er oppgitt.

Når man vurderer vibrasjonseksponering for å bestemme sikkerhetstiltak som kreves i 2002/44/EF, for å beskytte personer som bruker elektroverktøy regelmessig i arbeidet, skal man når man anslår vibrasjonseksponeringen, ta hensyn til de faktiske bruksforholdene og måten verktøyet blir brukt på, inkludert hensyn til alle deler av brukssyklusen – også de gangene verktøyet slås av, og når det går på tomgang, i tillegg til tiden utløseren er inne.

## Merking på verktøyet

Følgende symboler vises på verktøyet:



**Advarsel!** Brukeren må lese håndboken for å redusere risikoen for personskade.

## Ytterligere sikkerhetsinstruksjoner for batterier og ladere

### Batterier

- ◆ Forsøk ikke å åpne uansett hvilket formål du måtte ha.
- ◆ Ikke utsett batteriet for vann.
- ◆ Skal ikke oppbevares på steder der temperaturen kan overskride 40 °C.
- ◆ Lad bare ved temperaturer mellom 10°C og 40°C.
- ◆ Bruk bare laderen som følger med verktøyet.
- ◆ Følg instruksene som finnes i avsnittet "Miljø" når du skal kaste batterier.

### T2 Ikke forøk å lade opp skadede batterier.

### Ladere

- ◆ Stanley Fat Max-laderen skal bare brukes til å lade batteriet i apparatet som laderen kom sammen med. Andre batterier kan sprekke og føre til personskade og materiell skade.
- ◆ Prøv aldri å lade ikke-oppladbare batterier.
- ◆ Skift ut defekte ledninger umiddelbart.
- ◆ Ikke utsett laderen for vann.
- ◆ Ikke åpne laderen.
- ◆ Ikke stikk gjenstander eller fingre inn i laderen.



Laderen er bare beregnet for bruk innendørs.



Les håndboken før bruk.

### Elektrisk sikkerhet



Denne laderen er dobbeltisolert. Jording er derfor ikke nødvendig. Kontroller alltid at nettpenningen er i overensstemmelse med spenningen på typeskiltet. Prøv aldri å skifte ut laderen med et vanlig nettstøpsel.

- ◆ Hvis strømledningen blir skadet, må den skiftes av produsenten eller et autorisert Stanley Fat Max-service-senter så man unngår fare.

## Funksjoner

Denne verktøyet inkluderer noen av eller alle funksjonene nedenfor.

1. Utløserbryter for variabel hastighet
2. Utløserknapp
3. Låsespak for sagblad

4. Bladklemme
5. Fotplate
6. Skjærefunksjonsknapp
7. Batteri

## Figur A

8. Batterilader
9. Ladingsindikator

## Montering

**Advarsel!** Før monteringen må du ta ut batteriet av verktøyet og forsikre deg om at sagbladet har stoppet. Brukte sagblad kan være varme.

### Montering og demontering av sagbladet (figur B)

- ◆ Hold sagbladet (10) med taggene vendt fremover.
- ◆ Løft låsespaken (3) for sagbladet oppover.
- ◆ Sett skaffet på bladet helt inn i bladklemmen (4) så langt det går.
- ◆ Slipp håndtaket.
- ◆ Når du skal ta ut sagbladet (10), løfter du låsespaken (3) for sagbladet opp og trekker bladet ut.

### Sette inn og ta ut batteriet (figur C)

- ◆ Når du skal sette inn batteriet (7), holder du det overfor kontakten på verktøyet. Skyv batteriet inn i kontakten til det klikker på plass.
- ◆ Når du skal ta ut batteriet, trykker du på utløserknappene (11) og trekker samtidig batteriet ut av kontakten.

## Bruk

**Advarsel!** La verktøyet arbeide i sin egen hastighet. Ikke overbelast det.

**Advarsel!** Bruk aldri verktøyet mens sagfoten er løs eller fjernet.

### Lading av batteriet (figur A)

Batteriet må lades før første gangs bruk og hver gang det ikke lenger gir nok strøm til jobber som tidligere lett ble utført. Batteriet kan bli varmt under lading. Dette er normalt og innebærer ikke feil.

**Advarsel!** Ikke lad batteriet hvis temperaturen i omgivelsene er under 10 °C eller over 40 °C. Anbefalt ladetemperatur: ca. 24 °C.

**Merk:** Laderen vil ikke lade et batteri hvis celletemperaturen er under ca. 10 °C eller over 40 °C.

**Du bør la batteriet stå i laderen. Laderen begynner å lade automatisk når celletemperaturen blir høyere eller lavere.**

- ◆ Når du skal lade batteriet (7), setter du det inn i laderen (8). Batteriet kan bare settes i laderen på én måte. Ikke bruk makt. Pass på at batteriet sitter helt inne i laderen.
- ◆ Koble laderen til en stikkontakt, og kontroller at den er på.

Ladeindikatoren (9) vil blinke.

Ladingen er fullført når ladeindikatoren (9) lyser kontinuerlig. Laderen og batteriet tåler å være tilkoblet over lengre tid. LED-lampen tennes når laderen av og til "fyller på" batteriladningen.

- ◆ Lad utladete batterier innen 1 uke. Batterienes levetid vil bli mye mindre hvis de oppbevares utladet.

### Batteriet er i laderen

Laderen og batteripakken kan forbli tilkoblet med lysende LED i ubegrenset tid. Laderen vil holde batteripakken klar og fulladet.

### Laderdiagnose

Hvis laderen oppdager et svakt eller skadet batteri, blinker ladingsindikatoren (9) rødt med rask takt. Fortsett som følger:

- ◆ Sett inn batteriet (7) igjen.
- ◆ Hvis ladeindikatoren fortsetter å blinke rødt i rask takt, må du bruke et annet batteri for å finne ut om ladeprosessen fungerer som den skal.
- ◆ Hvis den nye batteripakken lades korrekt, er den opprinnelige batteripakken defekt og bør leveres til et service-senter for resirkulering.
- ◆ Hvis det nye batteriet gir samme indikasjon som det opprinnelige batteriet, bringer du laderen til et autorisert servicesenter.

**Merk: Det kan ta så mye som 30 minutter å avgjøre om batteriet er defekt. Hvis batteriet blir for varmt eller for kaldt, vil lampen blinke rødt vekselvis raskt og langsomt (ett blink ved hver hastighet og så gjenta dette).**

### Slå på og av (figur D og E)

- ◆ For å slå på skyver du låsebryteren (2) til venstre og trekker og holder i utløserbryteren for variabel hastighet (1).
- ◆ Slipp utløserbryteren (1) for å slå av.

**Advarsel!** Ikke slå verktøyet på eller av mens det er under belastning.

**Advarsel!** Skyv alltid låsebryteren (2) til høyre, låst posisjon, når verktøyet ikke er i bruk.

### Hastighetskontroll

På/av-bryteren for variabel hastighet gir muligheter for å velge hastighet som gir større skjærehastighet ved saging i ulike materialer.

- ◆ Hastigheten bestemmes av hvor mye du drar i utløserbryteren (1).

## Skråskjæring (figur F, G og H)

Fotplaten kan skråstilles opptil 45° både til høyre og venstre.

### Stille inn skråskjæringsvinkelen:

- ◆ Løsne festeskruen (12) for fotplaten med den medfølgende sekskantnøkkelen for å låse opp fotplaten (5).
- ◆ Skyv fotplaten (5) fremover for å løsne den fra sperringen på 0°.
- ◆ Roter fotplaten til ønsket sagevinkel (figur G).
- ◆ Skyv fotplaten bakover for å sette den i en fordypning til venstre eller høyre.
- ◆ Trekk til festeskruen (12) for fotplaten med den medfølgende sekskantnøkkelen for å låse fotplaten (5) i ønsket posisjon.

**Merk:** Foten kan skråstilles til venstre eller høyre og har fordypninger ved 45°.

## Skjærefunksjon (figur I)

Denne stikksagen er utstyrt med tre skjærefunksjoner, to orbitalbevegelser og én rett. Ved bruk av orbitalfunksjonen har bladet en mer aggressiv bevegelse, og den er utformet for skjæring i myke materialer som tre og plast. Orbitalfunksjonen gir raskere skjæring, men et mindre glatt kutt gjennom materialet. Ved bruk av orbitalfunksjonen beveger bladet seg fremover under skjæringen i tillegg til bevegelsen opp og ned.

**Advarsel!** Metall eller harde tresorter skal aldri skjæres med orbitalfunksjon.

- ◆ Skyv skjærefunksjonsknappen (6) mellom de tre skjærefunksjonene: 0, 1 og 2.
- ◆ Posisjon 0 er for rett skjæring.
- ◆ Posisjon 1 og 2 er for orbitalskjæring.
- ◆ Aggressiviteten i kuttet øker etter hvert som spaken blir justert fra 1 til 2, der 2 gir det mest aggressive kuttet.

## Saging

- ◆ Hold alltid verktøyet med begge hender.
- ◆ La bladet gå fritt i noen få sekunder før du starter sagingen.
- ◆ Bruk bare lett trykk på verktøyet når du sager.
- ◆ Hvis det er mulig, arbeider du med fotplaten (5) presset mot arbeidsstykket. Dette bedrer kontrollen over verktøyet, reduserer vibrasjonen i dette og forebygger skade på bladet.

## Råd for optimal bruk

### Generelt

- ◆ Bruk høy hastighet for tre, middels hastighet for aluminium og PVC og lav hastighet for andre metaller enn aluminium.

## Sage i laminat

Ettersom sagbladet skjærer på oppadgående bevegelse, kan det forekomme flising på flaten nærmest fotplaten.

- ◆ Bruk et fintannet sagblad.

- ◆ Sag fra den bakre flaten på arbeidsstykket.
- ◆ For å minimere flising, kan du klemme et stykke kapp eller fiberplate på begge sider av arbeidsstykket og sage gjennom dette.

## Sage i metall

Vær oppmerksom på at saging i metall tar mye lengre tid enn saging i tre.

- ◆ Bruk et sagblad som egner seg for metallsaging. Bruk et fintannet sagblad for jernholdig metall og et grovere sagblad for ikke-jernholdige metaller.
- ◆ Når du skjærer tynne metallplater, kan du klemme et stykke kapp mot den bakre flaten på arbeidsstykket og skjære gjennom dette.
- ◆ Smør en film av olje over hele den planlagte skjærelinjen.

## Tilbehør

Verktøyet ytelse avhenger av tilbehøret du bruker. Stanley Fat Max-tilbehør er produsert etter høye kvalitetsstandarder og er konstruert for å bedre verktøyet ytelse. Hvis du bruker dette tilbehøret, får du den aller beste ytelsen fra verktøyet ditt.

Dette verktøyet kan brukes med sagblad med både U- og T-festetapper.

## Vedlikehold

Verktøyet er konstruert for å være i drift over lengre tid med et minimum av vedlikehold. Det er avhengig av riktig stell og regelmessig rengjøring for å fungere som det skal til enhver tid.

**Advarsel!** Før vedlikehold må verktøyet slås av og støpselet trekkes ut.

- ◆ Rengjør ventilasjonsåpningene i verktøyet og laderen jevnlig med en myk børste eller tørr klut.
- ◆ Rengjør motorhuset regelmessig med en fuktig klut. Ikke bruk slipende eller løsemiddelbaserte rengjøringsmidler.
- ◆ Påfør av og til en dråpe olje på akselen til bladets styrrulle.

## Bytte nettstøpsel (gjelder bare Storbritannia og Irland)

Hvis ny nettplugg må settes på:

- ◆ Kast det gamle støpselet på en trygg måte.
- ◆ Koble den brune ledningen til den strømførende terminalen i det nye støpselet.
- ◆ Koble den blå ledningen til nullterminalen.

**Advarsel!** Du skal ikke koble til jordterminalen. Følg monteringsinstruksjonene som følger med støpsler av god kvalitet. Anbefalt sikring: 5 A.

## Miljø



Separat avfallshåndtering. Dette produktet må ikke kastes sammen med vanlig husholdningsavfall.

Hvis du synes Stanley Fat Max-produktet bør skiftes ut, eller du ikke har bruk for det lenger, må du ikke kaste det sammen med husholdningsavfall. Sørg for separat avfallshåndtering for dette produktet.



Hvis brukte produkter og emballasje leveres atskilt, kan materialer resirkuleres og brukes på nytt. Gjenbruk av resirkulerte materialer bidrar til redusert miljøforurensning og reduserer behovet for råmaterialer.

Det kan være lokale bestemmelser for separat avfallshåndtering for elektriske produkter fra husstander på kommunale avfallsplasser eller hos forhandleren, når du kjøper et nytt produkt.

Stanley Europe har en ordning for innsamling og resirkulering av Stanley Fat Max-produkter som ikke skal brukes lenger. Du kan benytte denne tjenesten ved å levere produktet til et hvilket som helst autorisert serviceverksted.

Du kan finne ut hvor nærmeste autoriserte serviceverksted er, ved å kontakte din lokale Stanley Europe-avdeling på adressen som er oppgitt i denne håndboken. En oversikt over autoriserte Stanley Europe-serviceverksteder og alle opplysninger om ettersalgsservice og kontakter er også tilgjengelig på Internett: [www.2helpU.com](http://www.2helpU.com)

## Batterier



Stanley Fat Max-batterier kan lades opp mange ganger. Tenk på miljøet når batteriene er tomme og du skal kaste dem.

- ◆ La batteriet gå helt tomt og fjern det så fra verktøyet.
- ◆ NiCd-, NiMH- og litiumionebatterier kan gjenvinnes. Ta dem med til et autorisert serviceverksted eller til en lokal spesialavfallsstasjon.

## Tekniske data

FMC650 (H1)		
Spenning	$V_{dc}$	18
Hastighet uten belastning	$min^{-1}$	0 - 2500
Slaglengde	mm	19
<b>Maks. skjæredybde</b>		
Tre	mm	55
Stål	mm	8
Aluminium	mm	20
Vekt	kg	2.62

Lader 905765** TYP 1		
Inngangsspenning	$V_{AC}$	220-240
Utgangsspenning	$V_{DC}$	20 (maks.)
Strøm	A	2
Omtrentlig ladetid	min	120

Batteri FMC688L		
Spenning	$V_{DC}$	18
Kapasitet	Ah	4.0
Type		Li-ion

$L_{pA}$ (lydtrykk) 84.5 dB(A), usikkerhet (K) 3 dB(A)
$L_{WA}$ lydeffekt) 95.5 dB(A), usikkerhet (K) 3 dB(A)
<b>Totale vibrasjonsverdier (vektorsum fra tre retninger) i henhold til EN 60745:</b>
Saging av planker ( $a_{h, B}$ ) 6 $m/s^2$ , usikkerhet (K) 1.5 $m/s^2$
Saging av metallplater ( $a_{h, M}$ ) 4.3 $m/s^2$ , usikkerhet (K) 1.5 $m/s^2$

**EF-samsvarserklæring**

MASKINDIREKTIV



Stikksag uten ledning - FMC650

Stanley Europe erklærer at disse produktene som er beskrevet under "Tekniske data", er i samsvar med:

2006/42/EF, EN 60745-1, EN 60745-2-11

Disse produktene er også i samsvar med direktiv 2004/108/EF og 2011/65/EU. Hvis du ønsker mer informasjon, kontakt Stanley Europe på følgende adresse, eller se på baksiden av

håndboken.

Undertegnede er ansvarlig for utarbeidelsen av den tekniske dokumentasjonen og gir denne erklæringen på vegne av

Stanley Europe.

Kevin Hewitt

Vice-President Global Engineering  
Stanley Europe, Egide Walschaertsstraat14-18,  
2800 Mechelen, Belgia  
23/12/2013

**Garanti**

Stanley Europe er trygg på kvaliteten på sine produkter og tilbyr en enestående garanti til profesjonelle brukere av produktet. Denne garantierklæringen kommer i tillegg til og reduserer på ingen måte dine kontraktmessige rettigheter som privat ikke-profesjonell bruker. Garantien er gyldig i EU- og EFTA-medlemsstatene.

**FULL GARANTI I ETT ÅR**

Hvis Stanley Fat Max-produktet blir defekt på grunn av material- eller produksjonsfeil innen 12 måneder fra kjøpsdatoen, garanterer Stanley Europe å erstatte alle defekte deler uten betaling eller – hvis vi velger dette – å erstatte enheten uten betaling forutsatt at:

- ◆ Produktet er ikke blitt brukt på feil måte og er blitt brukt i samsvar med bruksanvisningen.
- ◆ Produktet har vært utsatt for rimelig slitasje.
- ◆ Uautoriserte personer har ikke gjort forsøk på å reparere produktet.
- ◆ Det legges frem kjøpsdokumentasjon.
- ◆ Stanley Fat Max-produktet returneres i sin helhet med alle originale komponenter.

Hvis du ønsker å fremme et krav, må du kontakte selgeren eller finne adressen til nærmeste autoriserte Stanley Fat Max-serviceverksted i Stanley Fat Max-katalogen eller kontakte din lokale Stanley-avdeling på adressen som er oppgitt i denne håndboken. En liste over autoriserte Stanley Fat Max-serviceverksteder og alle opplysninger om ettersalgsservice er tilgjengelig på Internett:[www.stanley.eu/3](http://www.stanley.eu/3)



## Tilsigtet brug

Din Stanley Fat Max-stiksav er beregnet til at save i træ, plastic og metal. Dette værktøj er beregnet til erhvervsmæssige brugere og private ikke-erhvervsmæssige brugere.

## Sikkerhedsvejledning

### Generelle sikkerhedsadvarsler vedrørende elværktøj



**Advarsel!** Læs alle sikkerhedsadvarsler og instruktioner. Hvis nedenstående instruktioner og advarsler ikke følges, er der risiko for elektrisk stød, brand og/eller alvorlige personskader.

### Gem alle advarsler og anvisninger til senere brug.

Begrebet "elværktøj", der benyttes i nedenstående advarsler, henviser til netdrevet elværktøj (med netledning) eller batteridrevet elværktøj (uden netledning).

#### 1. Sikkerhed i arbejdsområdet

- Hold arbejdsområdet rent og godt oplyst.** Rodede og uoplyste områder øger risikoen for uheld.
- Brug ikke elværktøj i eksplosive omgivelser, f.eks. hvor der er brændbare væsker, gasser eller støv.** Elværktøj kan forårsage gnister, der kan antænde støv eller dampe.
- Hold børn og andre personer på afstand, når et elværktøj er i brug.** Du kan miste kontrollen over værktøjet, hvis du distraheres.

#### 2. Elektricitet og sikkerhed

- Elværktøjsstik skal passe til stikkontakten. Stikket må under ingen omstændigheder ændres. Brug ikke adapterstik sammen med jordforbundet elværktøj.** Uændrede stik, der passer til stikkontakterne, nedsætter risikoen for elektrisk stød.
- Undgå kropskontakt med jordforbundne overflader som f.eks. rør, radiatorer, komfurer og køleskabe.** Hvis din krop er jordforbundet, øges risikoen for elektrisk stød.
- Elværktøj må ikke udsættes for regn eller fugt.** Indtrængen af vand i elværktøj øger risikoen for elektrisk stød.
- Ødelæg ikke ledningen. Bær, træk eller afbryd ikke elværktøjet vha. ledningen. Beskyt ledningen mod varme, olie, skarpe kanter eller maskindele, der er i bevægelse.** Beskadigede eller sammenfiltrede ledninger øger risikoen for elektrisk stød.
- Hvis elværktøj benyttes i det fri, skal der benyttes en forlængerledning, som er godkendt til udendørs brug.** Brug af en forlængerledning til udendørs brug nedsætter risikoen for elektrisk stød.

- Brug en strømkilde med fejlstrømsbeskyttelse, hvis det er uundgåeligt at anvende elværktøj på fugtige steder.** Med en fejlstrømsbeskyttelse reduceres risikoen for elektrisk stød.

#### 3. Personlig sikkerhed

- Vær opmærksom, hold øje med, hvad du laver, og brug elværktøjet fornuftigt. Brug ikke et elværktøj, hvis du er træt eller påvirket af stoffer, medicin eller alkohol.** Få sekunders uopmærksomhed ved brug af elværktøjet kan føre til alvorlige personskader.
  - Brug personlige værnemidler. Brug altid beskyttelsesbriller.** Brug af værnemidler som f.eks. støvmaske, skridsikkert fodtøj, beskyttelseshjelm eller høreværn nedsætter risikoen for personskader, hvis udstyret anvendes korrekt.
  - Sørg for, at værktøjet ikke kan starte utilsigtet. Kontroller, at afbryderkontakten står på slukket, inden værktøjet tilsluttes strømkilden og/eller batteriet, samles op eller bæres.** Bæres elværktøj, mens fingeren er på kontakten, eller tilsluttes det, mens kontakten står på tændt, kan der nemt ske en ulykke.
  - Fjern indstillingsværktøj eller skruenøgle, inden elværktøjet tændes.** Et værktøj eller en nøgle, der efterlades i en roterende del i elværktøjet, kan resultere i personskader.
  - Stræk dig ikke for langt. Sørg for, at du altid har sikkert fodfæste og balance.** Det gør det nemmere at kontrollere elværktøjet, hvis der skulle opstå uventede situationer.
  - Brug egnet arbejdstøj. Undgå løse beklædningsgenstande eller smykker. Hold hår, tøj og handsker væk fra dele, der bevæger sig.** Bevægelige dele kan gribe fat i løstsiddende tøj, smykker eller langt hår.
  - Hvis støvudsugnings- og opsamlingsudstyr kan monteres, er det vigtigt, at dette tilsluttes og benyttes korrekt.** Brug af udstyr til opsamling af støv kan nedsætte risikoen for støvrelateret personskade.
- #### 4. Brug og vedligeholdelse af elværktøj
- Undgå at overbelaste elværktøjet. Brug altid det rette elværktøj til opgaven.** Med det rigtige elværktøj udføres arbejdet lettere og sikrere og i det tempo, som værktøjet er beregnet til.
  - Brug ikke elværktøjet, hvis afbryderen er defekt.** Elværktøj, der ikke kan reguleres med afbryderen, er farligt og skal repareres.
  - Træk stikket ud af stikkontakten og/eller batteriet inden indstilling, tilbehørsudskiftning eller opbevaring af elværktøjet.** Disse sikkerhedsforanstaltninger reducerer risikoen for utilsigtet start af værktøjet.

- d. **Opbevar ubenyttet elværktøj uden for børns rækkevidde.** Lad aldrig personer, der ikke er fortrolige med elværktøj, eller som ikke har gennemlæst disse instruktioner, benytte maskinen. Elværktøj er farligt, hvis det benyttes af ukyndige personer.
- e. **Elværktøj bør vedligeholdes omhyggeligt. Kontroller, om bevægelige dele er skæve og ikke sidder fast, og om delene er brækket eller beskadiget, så elværktøjets funktion påvirkes. Få beskadigede dele repareret, inden elværktøjet tages i brug.** Mange uheld skyldes dårligt vedligeholdt elværktøj.
- f. **Sørg for, at skæreværktøjer er skarpe og rene.** Ordentligt vedligeholdt skæreværktøj med skarpe skærekanten sætter sig ikke så hurtigt fast og er nemmere at styre.
- g. **Brug elværktøjet, tilbehøret, indsatsværktøj osv. i overensstemmelse med disse instruktioner under hensyntagen til arbejdsforholdene og arbejdet, der skal udføres med værktøjet.** I tilfælde af anvendelse af elværktøjet til formål, som ligger uden for det fastsatte anvendelsesområde, kan der opstå farlige situationer.
5. **Brug og vedligeholdelse af batteridrevet værktøj**
- a. **Genoplad kun med den lader, som producenten har angivet.** En lader, der er velegnet til én type batteripakke, kan udgøre en brandfare, hvis den bruges til en anden batteripakke.
- b. **Brug kun elværktøj sammen med batteripakker, der er specifikt beregnet hertil.** Brugen af andre batteripakker kan medføre personskaade og brand.
- c. **Når batteripakken ikke er i brug, skal den holdes på afstand af andre metalgenstande, f.eks. papirclips, mønter, nøgler, søm, skruer og andre små metalgenstande, som kan skabe forbindelse mellem de to poler.** Kortslutning af batteriet kan forårsage forbrændinger eller brand.
- d. **I visse situationer kan batteriet lække. Undgå kontakt. Skyl med vand i tilfælde af kontakt. Søg læge, hvis væsken kommer i kontakt med øjnene.** Væske, der lækker fra batteriet, kan forårsage irritation eller forbrændinger.
6. **Service**
- a. **Få altid elværktøjet repareret af kvalificerede fagfolk med udelukkende identiske reservedele.** Dermed opretholdes elværktøjets sikkerhed.
- ◆ **Hold i elværktøjets isolerede grebflader, hvis der er risiko for, at skæretilbehøret kommer i kontakt med skjulte ledninger.** Hvis skæretilbehøret rammer en strømførende ledning, bliver elværktøjets blottagte dele strømførende, så brugeren får stød.
  - ◆ **Brug skruetvinger eller lignende til at holde og støtte materialet på et stabilt underlag.** Det er ikke nok at holde materialet med hånden eller ind mod kroppen. Det bliver ustabil, og du kan miste kontrollen.
  - ◆ **Hold hænderne på afstand af skæreamrådet.** Ræk aldrig ind under materialet uanset årsag. Anbring ikke fingrene i nærheden af den frem- og tilbagegående klinge og klingeholderen. Stabiliser ikke saven ved at gribe omkring sålen.
  - ◆ **Hold klingerne skarpe.** Døve eller beskadigede klinger kan få saven til at slingre eller standse under pres. Brug altid den rigtige type savklinger til materialet og formålet.
  - ◆ **Når der saves i rør og rørledninger, er det vigtigt, at de er fri for vand, elektriske ledninger osv.**
  - ◆ **Rør ikke ved materialet eller klingen umiddelbart efter, at værktøjet har været i brug.** De kan være meget varme.
  - ◆ **Vær opmærksom på skjulte farer, inden der saves i vægge, gulve eller lofter.** Kontroller, om der findes ledninger og rør.
  - ◆ **Klingen fortsætter med at bevæge sig, efter at kontakten er sluppet.** Sluk altid værktøjet, og vent, indtil savklingens bevægelse er helt ophørt, inden du lægger værktøjet fra dig.
- Advarsel!** Berøring af eller indånding af støvpartikler fra skærearbejder kan udgøre en fare for både brugerens og eventuelle tilskuers helbred. Bær en specielt designet støvmaske til beskyttelse mod støv og røg, og sørg for, at personer, der befinder sig på eller kommer ind på arbejdsområdet, også er beskyttet.
- ◆ Apparatets tilsigtede brug fremgår af denne vejledning. Brugen af ekstraudstyr eller tilbehør eller udførelse af opgaver med værktøjet ud over de i brugervejledningen anbefalede kan medføre risiko for personskaade og/eller materiel skade.

### Andres sikkerhed

- ◆ Dette værktøj må ikke bruges af personer (herunder børn) med nedsatte fysiske, sensoriske eller mentale evner eller manglende erfaring og viden, medmindre det sker under overvågning, eller der gives instruktion i brugen af værktøjet af en person, der er ansvarlig for deres sikkerhed.
- ◆ Børn skal holdes under opsyn, så det sikres, at de ikke leger med værktøjet.

### Yderligere sikkerhedsadvarsler for elværktøj



**Advarsel!** Yderligere sikkerhedsadvarsler for stiksave og bajonetsave

## Restrisici.

Der kan opstå yderligere restrisici under brugen af værktøjet, som ikke kan medtages i vedlagte sikkerhedsadvarsler. Disse risici kan opstå pga. forkert anvendelse, langvarig brug etc. Selv ved overholdelse af relevante sikkerhedsforskrifter og anvendelse af sikkerhedsudstyr kan visse restrisici ikke undgås. Disse omfatter:

- ◆ Tilskadecomst forårsaget af berøring af roterende/bevægelige dele.
- ◆ Tilskadecomst forårsaget af udskiftning af dele, klinger eller tilbehør.
- ◆ Tilskadecomst forårsaget af langvarig brug af et værktøj. Husk at holde pause jævnligt ved brug af et værktøj i længere tid.
- ◆ Høreskader.
- ◆ Sundhedsrisici forårsaget af indånding af støv, der genereres ved brug af værktøjet (eksempel: Arbejde med træ, især, eg, bøg og MDF).

## Vibration

De angivne værdier for udsendelse af vibration anført under de tekniske data og overensstemmelseserklæringen er målt i henhold til standardtestmetoden i EN 60745 og kan bruges til at sammenligne ét værktøj med et andet. Den angivne værdi for udsendelse af vibration kan også bruges som en foreløbig vurdering af eksponeringen.

**Advarsel!** Værdien for udsendelse af vibration ved faktisk brug af elværktøjet kan afvige fra den angivne værdi afhængig af måden, værktøjet anvendes på. Vibrationsniveauet kan overstige det angivne niveau.

I vurderingen af eksponeringen for vibration med henblik på fastsættelse af sikkerhedsforanstaltninger som krævet i 2002/44/EF til beskyttelse af personer, der jævnligt anvender elværktøj i deres arbejde, skal der tages hensyn til de faktiske betingelser under brugen, og måden værktøjet bruges på, herunder alle arbejdsrytters elementer, f.eks. perioder, hvor værktøjet er slukket og kører i tomgang tillige med startperioderne.

## Mærkater på værktøjet

Følgende symboler er anbragt på værktøjet:



**Advarsel!** Brugeren skal læse brugervejledningen for at reducere risikoen for tilskadecomst.

## Yderligere sikkerhedsvejledninger for batterier og ladere

### Batterier

- ◆ Forsøg aldrig at åbne uanset årsag.
- ◆ Batteriet må ikke udsættes for fugt.
- ◆ Opbevar ikke på steder, hvor temperaturen kan overstige 40°C.
- ◆ Oplad kun ved omgivelsestemperaturer på mellem 10°C og 40°C.
- ◆ Oplad kun ved hjælp af den medfølgende lader.
- ◆ Følg ved bortskaffelse af batterier vejledningen i afsnittet "Miljøbeskyttelse".



**Forsøg ikke at oplade beskadigede batterier.**

### Ladere

- ◆ Brug kun din Stanley Fat Max-lader til at oplade batteriet i det værktøj, som den blev leveret sammen med. Andre batterier kan eksplodere og forårsage personskade og materielle skader.
- ◆ Prøv aldrig på at oplade ikke-opladelige batterier.
- ◆ Udskift straks defekte ledninger.
- ◆ Laderen må ikke udsættes for fugt.
- ◆ Laderen må ikke åbnes.
- ◆ Undersøg ikke laderen.



Laderen er kun beregnet til indendørs brug.



Læs brugervejledningen, før værktøjet tages i brug.

### Elektricitet og sikkerhed



Laderen er dobbelt isoleret. Derfor er en jordledning ikke nødvendig. Kontroller altid, at netspændingen svarer til spændingen på typeskiltet. Forsøg aldrig at erstatte laderenheden med et almindeligt netstik.

- ◆ Hvis netledningen beskadiges, skal den udskiftes af producenten eller et autoriseret Stanley Fat Max-værksted, så farlige situationer undgås.

## Komponenter

Dette værktøj leveres med nogle af eller alle de følgende komponenter.

1. Startknap til trinløs hastighedsregulering
2. Låseknap
3. Låsegreb til savklinge

4. Klingeholder
5. Sål
6. Knap til savning
7. Batteri

#### fig. A

8. Batterilader
9. Ladeindikator

### Samling

**Advarsel!** Før montering: Tag batteriet ud af værktøjet, og kontroller, at savklingen er standset. Savklinger, der har været i brug, kan være varme.

#### Montering og afmontering af savklingen (fig. B)

- ◆ Hold savklingen (10), så tænderne vender fremad.
- ◆ Løft låsegrebet til savklinge (3) opad.
- ◆ Sæt savklingens skaft helt ind i klingeholderen (4), så langt det kan komme.
- ◆ Slip grebet.
- ◆ Savklingen (10) fjernes ved at løfte låsegrebet til savklinge (3) opad og trække klingen ud.

#### Isætning og udtagning af batteriet (fig. C)

- ◆ Anbring batteriet (7) ud for værktøjets fatning, når batteriet skal monteres. Lad batteriet glide ind i fatningen, og skub, indtil batteriet går på plads.
- ◆ Tryk på udløserknapperne (11), og træk samtidigt batteriet ud af fatningen for at tage batteriet ud.

### Anvendelse

**Advarsel!** Lad værktøjet arbejde i dets eget tempo. Det må ikke overbelastes.

**Advarsel!** Brug aldrig værktøjet, hvis savskoen er løs eller afmonteret.

#### Opladning af batteriet (fig. A)

Batteriet skal oplades inden ibrugtagningen, og når det ikke leverer strøm nok til opgaver, der tidligere kunne udføres ubesværet. Batteriet kan blive varmt under opladningen. Det er normalt og ikke tegn på problemer.

**Advarsel!** Batteriet må ikke oplades i omgivelsestemperaturer under 10 °C eller over 40 °C. Anbefalet ladetemperatur: ca. 24 °C.

**Bemærk:** Opladeren oplader ikke et batteri, hvis dets temperatur er under ca. 10 °C eller over 40 °C.

**Batteriet bør blive siddende i opladeren, som automatisk begynder opladningen, når batteriets temperatur stiger eller falder.**

- ◆ Sæt batteriet (7) i opladeren (8) for at lade det op. Batteriet passer kun i opladeren på én måde. Tving det ikke i. Kontroller, at batteriet er sat helt i opladeren.

- ◆ Tilslut laderen, og tænd på stikkontakten.

Ladeindikatoren (9) begynder at blinke.

Ladningen er afsluttet, når ladeindikatoren (9) begynder at lyse konstant. Laderen og batteriet kan være tilsluttet i længere perioder. LED'en tændes, når laderen en gang imellem "efterfylder" batteriet.

- ◆ Afladede batterier bør oplades inden for 1 uge. Batteriets levetid reduceres kraftigt, hvis batteriet opbevares i afladet tilstand.

#### Lad batteriet blive siddende i opladeren

Du kan lade batteripakken sidde i laderen med tændt lysdiode, så længe det ønskes. Laderen holder batteripakken klar og fuldt opladet.

#### Fejlfinding ved laderen

Ladeindikatoren (9) blinker hurtigt rødt, hvis laderen registrerer et svagt eller beskadiget batteri. Fortsæt som følger:

- ◆ Sæt batteriet (7) i igen.
- ◆ Hvis ladeindikatoren fortsætter med at blinke hurtigt rødt, skal du bruge et andet batteri til at kontrollere, om opladningen sker korrekt.
- ◆ Hvis det andet batteri lades korrekt, er det oprindelige batteri defekt og skal indleveres til genbrug på et servicecenter.
- ◆ Hvis det andet batteri giver samme fejlvisning som det oprindelige, skal laderen testes på et autoriseret servicecenter.

**Bemærk:** Det kan tage op til 30 minutter at konstatere, at batteriet er defekt. Hvis batteriet er for varmt eller koldt, blinker lysdioden rødt skiftevis hurtigt og langsomt med et blink ved hver frekvens, hvorefter sekvensen gentages.

#### Start og stop (fig. D & E)

- ◆ Skub låseknappen (2) mod venstre, og træk og hold derefter startknappen til trinløs hastighedsregulering (1) for at tænde værktøjet.
- ◆ Slip startknappen (1) for at stoppe værktøjet.

**Advarsel!** Start og stop ikke værktøjet, mens det er under belastning.

**Advarsel!** Skub altid låseknappen (2) mod højre (låst position), når værktøjet ikke er i brug.

#### Trinløs hastighedskontrol

Afbryderknappen til trinløs regulering af hastigheden gør det muligt at vælge hastighed, så der hurtigere kan saves igennem forskellige materialer.

- ◆ Hastigheden bestemmes af, hvor meget startknappen (1) trækkes.

## Skråsnit (fig. F, G & H)

Sålen kan indstilles til en venstre eller højre skråskæring på 45°.

### Sådan indstilles fasvinklen:

- ◆ Løsn bolten, der holder skoen (12), med den sekskantede indstiksnøgle for at frigøre sålen (5).
- ◆ Lad sålen (5) glide fremad for at frigøre den fra indstillingen ved 0°.
- ◆ Drej sålen til den ønskede fasvinkel (fig. G).
- ◆ Lad sålen glide bagud for at aktivere indstillingen til venstre eller højre.
- ◆ Stram bolten, der holder skoen (12), med den sekskantede indstiksnøgle for at låse sålen (5) i den ønskede position.

**Bemærk!** Skoen kan vinkles til venstre eller højre og har indstillinger ved 45°.

## Savning (fig. I)

Denne stiksav har tre saveaktioner, to cirkelbevægelser og en lige bevægelse. Cirkelbevægelse har en mere aggressiv klingbevægelse og er beregnet til at save i bløde materialer såsom træ eller plastik. Cirkelbevægelse giver et hurtigere snit, men med et mindre blødt snit gennem materialet. Ved cirkelbevægelse bevæger klingens sig fremad under savningen ud over op- og ned-bevægelsen.

**Advarsel!** Der må aldrig saves i metal eller hårdt træ med cirkelbevægelse.

- ◆ Skub knappen til savning (6) hen mellem de tre savepositioner: 0, 1 og 2.
- ◆ Position 0 er til lige snit.
- ◆ Position 1 og 2 er til cirkelsnit.
- ◆ Snittets aggressivitet øges, efterhånden som grebet reguleres fra et til to, hvor to er det mest aggressive snit.

## Savning

- ◆ Hold altid værktøjet med begge hænder.
- ◆ Lad klingens løbe frit et par sekunder, inden du begynder at save.
- ◆ Tryk kun let med værktøjet, mens du skærer.
- ◆ Arbejd om muligt med sålen (5) trykket mod materialet. Det giver bedre kontrol over værktøjet, og vibrationerne reduceres, ligesom du undgår at beskædige klingens.

## Gode råd til optimal brug

### Generelt

- ◆ Brug en høj hastighed til træ, en middel hastighed til aluminium og PVC og en lav hastighed til metaller udover aluminium.

## Skæring i laminaer

Når savklingen skærer opad, kan der forekomme splintring på overfladen nærmest sålen.

- ◆ Brug en savklinge med fine tænder.
- ◆ Skær fra bagsiden af arbejdsmaterialet.
- ◆ Klem et stykke spildtræ eller hardboard på begge sider af materialet, og sav gennem denne sandwich for at minimere splintringen.

## Skæring i metal

Vær opmærksom på, at skæring i metal tager meget længere tid end skæring i træ.

- ◆ Brug en savklinge, der egner sig til skæring i metal. Brug den fintandede klinge til jernholdige metaller og den grovere klinge til metaller uden jern.
- ◆ Klem et stykke spildtræ til bagsiden af arbejdsmaterialet, og sav gennem denne sandwich, når der skæres i tynde metalplader.
- ◆ Læg en oliefilm langs den påtænkte skæringslinje.

## Tilbehør

Værktøjets ydeevne afhænger af det anvendte tilbehør. Tilbehør fra Stanley Fat Max er fremstillet efter høje kvalitetsstandarder og er designet til at forbedre dit værktøjs præstation. Når du bruger dette tilbehør, vil værktøjet yde optimalt. Dette værktøj kan anvende savklinger med både U-skaft og T-skaft.

## Vedligeholdelse

Dette værktøj er beregnet til brug gennem lang tid med et minimum af vedligeholdelse. Forsat tilfredsstillende drift afhænger af korrekt behandling af værktøjet samt regelmæssig rengøring.

**Advarsel!** Før der udføres vedligeholdelse, skal værktøjet slukkes og stikket trækkes ud.

- ◆ Rens jævnlige værktøjets og laderens ventilationshuller med en blød børste eller en tør klud.
- ◆ Rengør med jævne mellemrum motorhuset med en fugtig klud. Der må ikke bruges skuremidler eller opløsningsmidler.
- ◆ Smør med mellemrum akslen på klingens støtteruller med en dråbe olie.

## Udsiftning af stik (kun Storbritannien og Irland)

Sådan monteres et nyt netstik:

- ◆ Det gamle stik skal bortskaffes på en sikker måde.
- ◆ Slut den brune ledning til den strømførende klemme på det nye stik.
- ◆ Slut den blå ledning til den neutrale klemme.

**Advarsel!** Der skal ikke foretages nogen tilslutning til jordlemlen. Følg de monteringsanvisninger, der leveres sammen med kvalitetsstik. Anbefalet sikring: 5 A.

## Miljøbeskyttelse



Separat bortskaffelse. Dette produkt må ikke bortskaffes sammen med almindeligt husholdningsaffald.

Når dit Stanley Fat Max-produkt en dag er udtjent, eller du ikke længere har brug for det, må du ikke smide det ud sammen med det almindelige affald. Produktet skal bortskaffes separat.



Ved separat bortskaffelse af brugte produkter og emballage bliver der mulighed for at genanvende forskellige materialer.

Genanvendelse af materialer medvirker til at forebygge miljøforurening og mindsker behovet for råstoffer.

Lokal lovgivning kan kræve separat indsamling af elektriske husholdningsapparater på kommunale affaldsdepoter eller af den detailhandelnde ved køb af et nyt produkt.

Stanley Europe sørger for at indsamle og genanvende Stanley Fat Max-produkter, når disse ikke længere kan bruges. Hvis du vil benytte dig af denne service, skal du returnere produktet til et autoriseret værksted, der indsamler produkterne for os.

Kontakt det lokale Stanley Europe-kontor på den adresse, der er opgivet i denne vejledning, for at få oplysninger om nærmeste autoriserede værksted. En liste over alle autoriserede Stanley Europe-serviceværksteder samt servicevilkår og kontaktpersoner er tilgængelig på internettet på adressen: [www.2helpU.com](http://www.2helpU.com)

## Batterier



Stanley Fat Max-batterier kan genoplades mange gange. Når batterier er udtjente, skal de bortskaffes under passende hensyntagen til miljøet:

- Afled batteriet helt, og tag det derefter ud af værktøjet.
- NiCd-, NiMH- og Li-Ion-batterier kan genbruges. Aflever dem på et autoriseret værksted eller en lokal genbrugsstation.

## Tekniske data

FMC650 (H1)		
Spænding	$V_{dc}$	18
Hastighed uden belastning	$min^{-1}$	0 - 2500
Stroglængde	mm	19
Maks. skæredybde		
Træ	mm	55
Stål	mm	8
Aluminium	mm	20
Vægt	kg	2,62

Lader 905765** TYP 1		
Indgangsspænding	$V_{AC}$	220-240
Udgangsspænding	$V_{DC}$	20 (maks.)
Strømstyrke	A	2
Ladetid ca.	min	120

Batteri FMC688L		
Spænding	$V_{DC}$	18
Kapacitet	Ah	4.0
Type		Li-Ion

$L_{pA}$ (lydtryk) 84.5 dB(A), usikkerhed (K) 3 dB(A)
$L_{WA}$ (lydeffekt) 95.5 dB(A), usikkerhed (K) 3dB(A)
<b>Samlede værdier for vibration (triaksial vektorsum) i henhold til EN 60745:</b>
Savning i lister ( $a_{h,B}$ ) 6 m/s <sup>2</sup> , usikkerhed (K) 1.5 m/s <sup>2</sup>
Savning i metalplader ( $a_{h,M}$ ) 4.3 m/s <sup>2</sup> , usikkerhed (K) 1.5 m/s <sup>2</sup>

**EU-overensstemmelseserklæring**

MASKINDIREKTIV



Ledningsfri stiksav - FMC650

Stanley Europe erklærer, at produkterne beskrevet under "Tekniske data" er i overensstemmelse med:

2006/42/EF, EN 60745-1, EN 60745-2-11

Disse produkter er endvidere i overensstemmelse med direktiv 2004/108/EF og 2011/65/EU. Kontakt Stanley Europe på nedenstående adresse, eller se vejledningens bagside for

at få flere oplysninger.

Undertegnede er ansvarlig for udarbejdelsen af de tekniske data og fremsætter denne erklæring på vegne af Stanley

Europe.

Kevin Hewitt

Vice-President Global Engineering  
Stanley Europe, Egide Walschaertsstraat14-18,  
2800 Mechelen, Belgien  
23/12/2013

**Garanti**

Stanley Europe garanterer, at produktet er fri for skader og fejl, og tilbyder en fremragende garanti for erhvervsmæssige brugere af produktet. Garantien er et tillæg til forbrugers kontraktmæssige rettigheder og påvirker ikke disse som en privat ikke-erhvervsmæssig bruger. Garantien gælder inden for medlemsstaterne af den Europæiske Union og i det Europæiske Frihandelsområde.

**ET ÅRS FULD GARANTI**

Hvis dit Stanley Fat Max-produkt går i stykker på grund af materiel skade eller fabriktionsfejl inden for 12 måneder fra købsdatoen, påtager Stanley Europe sig gratis at udskifte alle defekte dele eller efter vores skøn gratis at udskifte enheden forudsat at:

- ◆ Produktet ikke har været anvendt forkert og har været anvendt i overensstemmelse med brugervejledningen.
- ◆ Produktet ikke har været udsat for andet end almindelig slitage;
- ◆ Reparationer ikke er udført af uautoriserede personer;
- ◆ Købsbeviset kan fremvises.
- ◆ Hele Stanley Fat Max-produktet returneres med alle originale komponenter

Hvis du ønsker erstatning for skade, skal du kontakte forhandleren eller det nærmeste autoriserede Stanley Fat Max-værksted i Stanley Fat Max-kataloget eller kontakte dit lokale Stanley-kontor på den adresse, der er opgivet i denne vejledning. Der findes en liste over alle autoriserede Stanley Fat Max-serviceværksteder samt servicevilkår på følgende internetadresse: [www.stanley.eu/3](http://www.stanley.eu/3)

## Käyttötarkoitus

Stanley Fat Max -pistosaha on suunniteltu puun, muovin ja metallin sahaamiseen. Työkalu on tarkoitettu sekä ammattikäyttöä yksityökaluun.

## Turvallisuusohjeet

### Sähkötyökalujen yleiset turvavaroitukset



**Varoitus!** Lue kaikki turvavaroitukset ja ohjeet. Alla olevien varoitusten ja ohjeiden noudattamisen laiminlyönti saattaa johtaa sähköiskuun, tulipaloon ja/tai vakavaan loukkaantumiseen.

### Säästä kaikki varoitukset ja ohjeet tulevaa käyttöä varten.

Ohjeissa käytetty käsite "sähkötyökalu" tarkoittaa verkkoikäyttöisiä sähkötyökaluja (verkkojohdolla varustettuja) ja akkukäyttöisiä sähkötyökaluja (ilman verkkojohtoa).

#### 1. Työalueen turvallisuus

- Pidä työalue puhtaana ja hyvin valaistuna.** Työpaikan epäjärjestys ja valaisemattomat työalueet voivat johtaa tapaturmiin.
- Älä käytä sähkötyökalua räjähdysalttiissa ympäristössä, jossa on palavaa nestettä, kaasua tai pölyä.** Sähkötyökalu muodostaa kipinöitä, jotka saattavat sytyttää pölyn tai höyryt.
- Pidä lapset ja sivulliset loitolla sähkötyökalua käyttäessäsi.** Voit menettää laitteesi hallinnan huomiosi suuntautuessa muualle.

#### 2. Sähköturvallisuus

- Sähkötyökalun pistokkeen on sovitava pistorasiaan.** Pistoketta ei saa muuttaa millään tavalla. Älä käytä mitään pistorasiasovittimia maadoitettujen sähkötyökalujen kanssa. Alkuperäiset pistokkeet ja niille sopivat pistorasiat vähentävät sähköiskun vaaraa.
- Vältä koskettamasta maadoitettuja pintoja, kuten putkia, pattereita, liesiä tai jääkaappeja.** Sähköiskun vaara kasvaa, jos vartalosi on maadoitettu.
- Älä altista sähkötyökalua sateelle tai kosteudelle.** Veden tunkeutuminen sähkötyökalun sisään kasvattaa sähköiskun riskiä.
- Älä käsittele virtajohtoa kovakouraisesti. Älä käytä sitä sähkötyökalun kantamiseen, vetämiseen tai pistokkeen irrottamiseen pistorasiasta.** Pidä johto loitolla kuumuudesta, öljystä, terävistä reunoista ja liikkuvista osista. Vahingoittuneet tai sotkeutuneet johdot lisäävät sähköiskun vaaraa.
- Käyttäessäsi sähkötyökalua ulkona käytä ainoastaan ulkokäyttöön soveltuvaa jatkojohtoa.** Ulkokäyttöön soveltuvan jatkojohdon käyttö pienentää sähköiskun vaaraa.

- Jos sähkötyökalua on välttämättä käytettävä kosteassa paikassa, käytä jäännösvirtalaitteella (RCD) suojattua virtalähdettä.** Jäännösvirtalaitteen käyttö vähentää sähköiskun vaaraa.

#### 3. Henkilöturvallisuus

- Keskity työskentelyysi ja noudata tervettä järkeä käyttäessäsi sähkötyökaluja. Älä käytä sähkötyökalua, jos olet väsynyt tai huumeiden, alkoholin tai lääkkeiden vaikutuksen alaisena.** Hetken tarkkaamattomuus sähkötyökalua käytettäessä saattaa johtaa vakavaan loukkaantumiseen.
- Käytä henkilökohtaisia suojavarusteita. Käytä aina suojalaseja.** Suojavarusteet, kuten hengityssuojain, luistamattomat turvajalkineet, kypärä ja kuulosuojaimet, pienentävät loukkaantumisriskiä, jos niitä käytetään tilanteen mukaan oikein.
- Vältä tahatonta käynnistämistä. Varmista, että virta on katkaistu käyttökytkimellä, ennen kuin liität laitteen virtalähteeseen ja/tai akkuun, nosta laitteen tai kannat sitä.** Onnettomuusvaara lisääntyy, jos kannat sähkötyökalua sormi käyttökytkimellä tai kytket työkalun virtajohdon pistorasiaan, kun käyttökytkin on päällä.
- Irrota mahdollinen säätö- tai kiintoavain, ennen kuin käynnistät sahan.** Työkalu tai avain, joka sijaitsee sähkötyökalun pyörivässä osassa, saattaa johtaa loukkaantumiseen.
- Älä kirkota liian kauas. Seiso aina tukevasti ja tasapainossa.** Niin voit paremmin hallita sähkötyökalua odottamattomissa tilanteissa.
- Käytä tarkoitukseen soveltuvia vaatteita. Älä käytä löysiä työvaatteita tai koruja. Pidä hiukset, vaatteet ja käsineet loitolla liikkuvista osista.** Väljät vaatteet, korut ja pitkät hiukset voivat takertua liikkuviin osiin.
- Jos laitteeseen voi kiinnittää pölynkerääjän tai -imurin, tarkista, että se on paikallaan ja että se toimii kunnolla.** Pölynimurin käyttö voi vähentää pölyn aiheuttamia vaaroja.

#### 4. Sähkötyökalujen käyttö ja hoito

- Älä ylikuormita sähkötyökalua. Käytä kulloiseinkin työhön parhaiten soveltuvaa sähkötyökalua.** Sopivaa sähkötyökalua käyttäen työskentelet paremmin ja turvallisemmin tehoalueella, jolle sähkötyökalu on tarkoitettu.
- Älä käytä sähkötyökalua, jota ei voida käynnistää ja pysäyttää virtakytkimestä.** Jos sähkötyökalua ei voi käynnistää ja pysäyttää virtakytkimellä, se on vaarallinen ja se täytyy korjata.



- c. **Irrota pistotulppa pistorasiasta ja/tai akku sähkötyökalusta, ennen kuin suoritat säätöjä, vaihdat tarvikkeita tai siirät sähkötyökalun varastoitavaksi.** Nämä turvatoimenpiteet pienentävät sähkötyökalun tahattoman käynnistämisen riskiä.
- d. **Säilytä sähkötyökalu poissa lasten ulottuvilta, kun niitä ei käytetä. Älä anna sähkötyökalua sellaisen henkilön käyttöön, joka ei tunne sitä tai joka ei ole tutustunut tähän käyttöohjeeseen.** Sähkötyökalut ovat vaarallisia, jos niitä käyttävät kokemattomat henkilöt.
- e. **Hoida sähkötyökalusi huolella. Tarkista, että liikkuvat osat toimivat moitteettomasti ja etteivät ne ole puristuksessa. Tarkista myös, ettei työkalussa ei ole murtuneita tai vahingoittuneita osia, jotka saattaisivat vaikuttaa haitallisesti sen toimintaan. Korjauta mahdolliset viat ennen käyttöönottoa.** Moni tapaturma aiheutuu huonosti huolletuista laitteista.
- f. **Pidä leikkausterät terävinä ja puhtaina.** Huolellisesti hoidetut leikkausterät, joiden leikkausreunat ovat teräviä, eivät tartu helposti kiinni, ja niitä on helpompi hallita.
- g. **Käytä sähkötyökaluja, tarvikkeita, vaihtotyökaluja jne. näiden ohjeiden mukaisesti. Ota tällöin huomioon työolosuhteet ja suoritettava toimenpide.** Sähkötyökalun käyttö muuhun kuin sille määrättyyn käyttöön saattaa johtaa vaarallisiin tilanteisiin.
5. **Akkukäyttöisten työkalujen käyttö ja hoito**
- a. **Lataa akku vain valmistajan määrittelemällä laturilla.** Laturi, joka soveltuu määrätyn tyyppiselle akulle, saattaa aiheuttaa tulipalon vaaran erilaista akkua ladattaessa.
- b. **Käytä sähkötyökalussa ainoastaan kyseiseen sähkötyökaluun tarkoitettua akkua.** Muun tyyppisen akun käyttö saattaa johtaa loukkaantumiseen ja tulipaloon.
- c. **Pidä irrallinen akku loitolla metalliesineistä, kuten paperiliittimistä, kolikoista, avaimista, nauloista, ruuveista tai muista pienistä metalliesineistä, jotka voivat aiheuttaa oikosulun akun navoissa.** Akun napojen välinen oikosulku saattaa aiheuttaa palovammoja tai tulipalon.
- d. **Väärin käytetystä akusta voi vuotaa nestettä. Älä kosketa sitä. Jos nestettä pääsee vahingossa iholle, huuhtelee kosketuskohta vedellä. Jos nestettä pääsee silmiin, tarvitaan lisäksi lääkärin apua.** Akusta vuotava neste saattaa aiheuttaa ärsytystä ja palovammoja.
6. **Huolto**
- a. **Korjauta sähkötyökalu koulutetulla ja ammattitaitoisella henkilöllä ja hyväksy korjauksiin vain alkuperäisiä varaosia.** Siten varmistat, että sähkötyökalu säilyy turvallisena.

## Sähkötyökalujen lisäturvavaroitukset



### Varoitus! Pistosahojen lisäturvavaroitukset

- ◆ **Pitele sähkötyökalua eristetyistä tartuntapinnoista, kun teet työtä, jossa työkalu voi joutua kosketuksiin piilossa olevien sähköjohtojen kanssa.** Työkalun kosketus jännitteisen johtimen kanssa voi tehdä myös työkalun paljaista metalliosista jännitteisiä ja aiheuttaa sähköiskun käyttäjälle.
- ◆ **Kiinnitä työstettävä kappale esimerkiksi ruuvipuristimella tukevaan alustaan.** Kappaleen kannatteleminen käsin tai sen tukeminen omaa vartaloa vasten voi johtaa kappaleen irtoamiseen ja vaaratilanteeseen.
- ◆ **Pidä kätesi pois leikkausalueelta.** Älä koskaan työnnä kättäsi työstökohteen alapuolelle. Älä työnnä sormia liikkuvaan terään tai sen kiinnikkeeseen. Älä tue sahaa pitämällä kiinni sahausjalasta.
- ◆ **Pidät terät terävinä.** Tylsät tai vahingoittuneet terät voivat leikata vinoon tai jäädä kiinni. Käytä työstettävään materiaaliin soveltuvaa sahanterää, jolla saat haluamasi sahausjaljen.
- ◆ **Jos sahaat putkea tai kotelointia, tarkista ensin, ettei sen sisällä ole vettä, sähköjohtoa tms.**
- ◆ **Älä kosketa terää tai sahattua leikkauspintaa heti sahausksen jälkeen.** Ne voivat olla hyvin kuumia.
- ◆ **Varo piilossa olevia vaaroja.** Tarkista sähköjohtojen ja putkien sijainti, ennen kuin sahaat seinää, lattiaa tai kattoa.
- ◆ **Terän liike jatkuu vielä hetken käyttökylkimen vapautamisen jälkeen.** Katkaise virta ja odota, että terän liike on kokonaan pysähtynyt, ennen kuin lasket työkalun käsistäsi.

**Varoitus!** Leikatessa syntyvän pölyn kanssa kosketuksiin joutuminen tai sen hengittäminen saattaa olla haitallista käyttäjän tai lähellä olijoiden terveydelle. Käytä kasvosuojusta, joka on erityisesti tarkoitettu suojaamaan pölyltä ja höyryiltä, ja varmista, että kaikki työskentelyalueella olevat ja sinne tulevat henkilöt käyttävät suojavarusteita.

- ◆ Työkalun käyttötarkoitus on kuvattu tässä käyttöohjeessa. Käytä työkalua ainoastaan sellaiseen työhön, johon se on tarkoitettu, ja käytä vain tässä käyttöohjeessa suositeltuja tarvikkeita ja lisälaitteita. Ohjeesta poikkeava käyttö voi aiheuttaa henkilö- ja/tai omaisuusvahinkoja.

## Muiden turvallisuus

- ◆ Tätä työkalua ei ole tarkoitettu sellaisten henkilöiden käyttöön, joilla on fyysisiä tai älyllisiä rajoitteita tai aistirajoitteita, eikä laitteen toimintaan perehtymättömien henkilöiden käyttöön (lapset mukaan luettuina), paitsi valvonnan alaisina, tai jos he ovat saaneet laitteen käyttöön liittyvää opastusta heidän turvallisuudestaan vastaavalta henkilöltä.
- ◆ Lapsia on valvottava ja heitä on estettävä leikkimästä laitteella.

## Muut riskit.

Myös muut kuin turvavaroituksissa mainitut riskit ovat mahdollisia työkalua käytettäessä. Nämä riskit voivat liittyä muun muassa virheelliseen tai pitkäaikaiseen käyttöön.

Tiettyjä jäänönsriskejä ei voi välttää, vaikka noudatetaan kaikkia turvämääräyksiä ja käytät turvalaitteita. Näihin kuuluvat muun muassa

- ◆ pyörivien tai liikkuvien osien koskettamisen aiheuttamat vahingot
- ◆ osia, teriä tai lisävarusteita vaihdettaessa aiheutuneet vahingot
- ◆ työkalun pitkäaikaisen käytön aiheuttamat vahingot Kun käytät työkalua pitkään, varmista, että pidät säännöllisesti taukoja.
- ◆ kuulovaurio
- ◆ työkalua käytettäessä (esimerkiksi puuta, erityisesti tammea, pyökiä ja MDF-levyjä, käsiteltäessä) syntyneen pölyn sisäänhengityksen aiheuttamat terveysriskit.

## Tärinä

Teknisissä tiedoissa ja vaatimustenmukaisuusilmoituksessa ilmoitettu tärinäpäästöarvo on mitattu standardin EN 60745 testausmenetelmän mukaisesti, ja sen avulla voidaan vertailla työkaluja keskenään. Ilmoitettua tärinäpäästöarvoa voidaan käyttää myös altistumisen alustavaan arviointiin.

**Varoitus!** Sähkötyökalun käytön aikana mitattu todellinen tärinäpäästöarvo voi poiketa ilmoitetusta tärinäpäästöarvosta työkalun käyttötavan mukaan. Tärinätaso voi olla ilmoitettua tasoa suurempi.

Kun tärinälle altistumista arvioidaan sen määrittämiseksi, mitä direktiivin 2002/44/EY mukaisia turvatoimenpiteitä vaaditaan sähkötyökaluja säännöllisesti käyttävien henkilöiden suojelemiseksi, tärinälle altistumisen arvioinnissa on otettava huomioon todelliset käyttöolosuhteet ja työkalun käytötavat. Todellisen käytön lisäksi on kiinnitettävä huomiota myös siihen, milloin työkalu on sammutettuna tai se käy tyhjäkäynnillä.

## Laitteessa olevat merkinnät

Työkalussa on seuraavat kuvamerkinnot:



**Varoitus!** Käyttäjän on luettava käyttöohje vahinkojen välttämiseksi.

## Akkuja ja laturia koskevat lisäturvaohjeet

### Akku

- ◆ Älä koskaan yritä avata akkua.
- ◆ Älä anna akun kastua.
- ◆ Älä säilytä akkua tiloissa, joissa lämpötila voi nousta yli 40 °C:een.
- ◆ Lataa akku paikassa, jonka lämpötila on vähintään +10 °C ja enintään +40 °C.
- ◆ Lataa akku ainoastaan työkalun mukana toimitetulla laturilla.
- ◆ Noudata akkuja hävittäessäsi Ympäristönsuojelu-kohdassa annettuja ohjeita.



**Älä koskaan yritä ladata viallista akkua.**

### Laturit

- ◆ Käytä Stanley Fat Max -laturia vain laitteen mukana toimitetun akun lataamiseen. Muut akut voivat räjähtää ja aiheuttaa henkilövahinkoja tai aineellisia vahinkoja.
- ◆ Älä koskaan yritä ladata paristoja, joita ei ole tarkoitettu ladattavaksi.
- ◆ Vaihda vialliset johdot välittömästi ehjiin.
- ◆ Älä altista laturia vedelle.
- ◆ Älä avaa laturia.
- ◆ Älä työnnä mitään laturin sisään.



Laturit on tarkoitettu ainoastaan sisäkäyttöön.



Lue käyttöohjeet huolellisesti ennen laitteen käyttöä.

## Sähköturvallisuus



Laturit on kaksoeristetty, joten erillistä maadoitusta ei tarvita. Tarkista aina, että verkkojännite vastaa arvokilvessä ilmoitettua jännitettä. Älä yritä korvata laturiyksikköä tavallisella verkkopistokeella.

- ◆ Jos virtajohto vahingoittuu, sen vaihtaminen on turvallisuussyistä jätettävä valmistajan tai valtuutetun Stanley Fat Max -huoltoilikeen tehtäväksi.

## Yleiskuvaus

Tässä työkalussa on joitakin tai kaikki seuraavista ominaisuuksista.

1. Nopeudensäädön liipaisinkytkin
2. Lukituspainike
3. Sahanterän lukitusvipu
4. Terän kiinnike
5. Jalustalevy
6. Leikkaustoiminnon painike
7. Akku

## kuva A

8. Akkulaturi
9. Latauksen merkkivalo

## Kokoaminen

**Varoitus!** Varmista ennen kokoamista, että akku on poistettu työkalusta ja että sahanterä on pysähtynyt. Käytössä olleet sahanterät voivat olla kuumia.

## Sahanterän asennus ja poisto (kuva B)

- ◆ Pidä sahanterää (10) hampaat eteenpäin.
- ◆ Nosta sahanterän lukitusvipu (3) ylös.
- ◆ Työnnä terän varsi kokonaan terän kiinnityslaippaan (4) niin pitkälle kuin se menee.
- ◆ Vapauta vipu.
- ◆ Poista sahanterä (10) nostamalla sahanterän lukitusvipu (3) ylös ja vetämällä terä ulos.

## Akun kiinnittäminen ja irrottaminen (kuva C)

- ◆ Kiinnitä akku (7) asettamalla se työkalussa olevan kiinnityssyvennyksen kanssa samaan linjaan. Liu'uta akkua kiinnityssyvennykseen, kunnes akku lukittu paikalleen.
- ◆ Irrota akku painamalla vapautuspainikkeita (11) samalla, kun vedät akun irti syvennyksestä.

## Käyttö

**Varoitus!** Anna työkalun käydä omaan tahtiinsa. Älä ylikuormita sitä.

**Varoitus!** Älä koskaan käytä työkalua, kun sahausjalka on löysällä tai irti.

## Akun lataaminen (kuva A)

Lataa akku ennen ensimmäistä käyttökertaa ja aina, kun se ei enää tuota riittävästi virtaa toimintoihin, jotka aiemmin sujuivat helposti. Akku voi lämmetä ladattaessa. Tämä on normaalia, eikä se ole merkki mistään viasta.

**Varoitus!** Älä lataa akkua, jos ympäristön lämpötila on alle +10 °C tai yli +40 °C. Suositeltava latauslämpötila: noin +24 °C.

**Huomautus: Laturi ei lataa akkua, jos akun kennon lämpötila on alle 10 °C tai yli 40 °C.**

**Akku tulee kuitenkin jättää laturiin. Laturi aloittaa lataamisen automaattisesti, kun kennon lämpötila nousee tai laskee riittävästi.**

- ◆ Lataa akku (7) asettamalla se laturiin (8). Akku sopii laturiin vain yhdessä asennossa. Älä laita sitä laturiin väkisin. Varmista, että akku on kunnolla laturissa.
- ◆ Kytke laturi pistorasiaan.

Lataustilan ilmaisim (9) vilkkuu.

Akku on ladattu, kun latauksen merkkivalo (9) palaa keskeytyksettä. Akku voidaan jättää laturiin vaikka kuinka pitkäksi aikaa. Merkkivalo alkaa vilkkua ns. täydennyslatauksen ajaksi.

- ◆ Lataa akut viikon kuluessa tyhjentymisestä. Akkujen käyttöikä lyhenee merkittävästi, jos ne jätetään tyhjiksi pitkäksi aikaa.

## Akun jättäminen laturiin

Akku voidaan jättää laturiin, kun merkkivalo palaa. Laturi pitää akun käyttövalmiina ja ladattuna.

## Laturin vianmääritys

Jos laturi havaitsee lähes tyhjän tai viallisen akun, latauksen merkkivalo (9) vilkkuu nopeasti punaisena. Toimi seuraavasti:

- ◆ Aseta akku (7) uudelleen laturiin.
- ◆ Jos merkkivalot vilkkuvat edelleen nopeasti punaisina, vaihda akku, jotta saat selville, toimiiko lataus asianmukaisesti.
- ◆ Jos toinen akku latautuu normaalisti, alkuperäinen akku on viallinen ja se on vietävä huoltopisteeseen kierrätettäväksi.
- ◆ Jos toinen akku antaa saman virheilmoituksen kuin alkuperäinen, vie laturi huoltopisteeseen testattavaksi.

**Huomautus: Akun kunnan määrittäminen voi kestää 30 minuuttia. Jos akku on liian kuuma tai kylmä, latauksen merkkivalo vilkkuu punaisena vuoroin nopeasti ja hitaasti.**

## Käynnistys ja pysäytys (kuvat D ja E)

- ◆ Käynnistä työkalu liu'uttamalla lukituskytkintä (2) vasemmalle ja vetämällä sitten nopeudensäädön liipaisinkytkintä (1) ja pitämällä sen vedettynä.
- ◆ Sammuta laite vapauttamalla liipaisinkytkin (1).

**Varoitus!** Älä käynnistä tai pysäytä työkalua sen ollessa kuormitettuna.

**Varoitus!** Työnnä lukituskytkin (2) oikealle lukitusasentoon aina, kun työkalu ei ole käytössä.

## Nopeudensäätö

Nopeudensäädön liipaisinkytkimen avulla voit valita nopeuden useista vaihtoehdoista ja siten parantaa merkittävästi eri materiaalien leikkaustulosta.

- ◆ Työkalun nopeus määräytyy sen mukaan, miten pitkälle liipaisinkytkintä (1) vedetään ulos.

## Vinosahaus (kuvat F, G ja H)

Jalustalevy voidaan kääntää vasempaan tai oikeaan 45° viistoon kulmaan.

### Voit säätää viistosahauskulmaa seuraavasti:

- ◆ Avaa jalustalevyn (5) lukitus löysäämällä kiinnityspulttia (12) koneen mukana toimitetulla kuusioavaimella.
- ◆ Liu'uta jalustalevyä (5) eteenpäin, kunnes se vapautuu 0°:n säpistä.
- ◆ Kierrä jalustalevy haluttuun viistosahauskulmaan (kuva G).
- ◆ Liu'uta jalustalevyä taaksepäin, kunnes se kiinnittyy vasemman- tai oikeanpuoleiseen säppiin.
- ◆ Lukitse jalustalevy (5) haluttuun asentoon kiristämällä kiinnityspulttia (12) koneen mukana toimitetulla kuusioavaimella.

**Huomautus:** Sahausjalkaa voidaan kallistaa vasemmalle tai oikealle, ja siinä on säppi 45°:n kohdalla.

## Leikkaustoiminto (kuva I)

Tässä pistosahassa on kolme leikkaustoimintoa, joista kaksi on kehäliikkeistä ja yksi suora. Kehäliiketoiminnossa terä liikkuu tavallista aggressiivisemmin, ja se on tarkoitettu pehmeiden aineiden, kuten puun tai muovin, leikkaamiseen. Kehäliiketoiminto nopeuttaa leikkaamista, mutta sahausjälki on tavallista epätasaisempi. Kehäliiketoimintoa käytettäessä terä liikkuu leikkausiskun aikana ylös- ja alaspäin suuntautuvan liikkeen lisäksi myös eteenpäin.

**Varoitus!** Metallia tai kovaa puuta ei koskaan pidä leikata kehäliiketoiminnolla.

- ◆ Liu'uta leikkaustoiminnon painiketta (6) johonkin kolmesta leikkausasennosta, jotka ovat 0, 1 ja 2.
- ◆ Asento 0 on tarkoitettu suoraan sahaukseen.
- ◆ Asennot 1 ja 2 on tarkoitettu kehäliikēsahaukseen.
- ◆ Leikkauksen aggressiivisuus lisääntyy sitä mukaa, kun vipua siirretään asennosta 1 asentoon 2. Pistosaha leikkaa aggressiivisimmin asennossa 2.

## Sahaus

- ◆ Pitele työkalua aina kahdella kädellä.
- ◆ Anna terän liikkuu vapaasti muutaman sekunnin ajan, ennen kuin aloitat sahaamisen.
- ◆ Paina työkalua vain kevyesti, kun sahaat.
- ◆ Paina jalustalevyä (5) työkappaletta vasten sahatessasi, jos se on mahdollista. Se parantaa työkalun hallintaa ja vähentää sen värinää. Lisäksi se estää terää vaurioitumasta.

## Vinkkejä parhaimman tuloksen saavuttamiseksi Yleistä

- ◆ Saha puuta suurimmalla nopeudella, alumiinia ja PVC:tä keskinopeudella ja muita metalleja hitaalla nopeudella.

## Laminaattien sahaaminen

Koska sahanterä leikkaa ylöspäin suuntautuvalla vedolla, jalustalevyn puolella oleva pinta voi säilytää.

- ◆ Käytä pienihampaista sahanterää.
- ◆ Sahaa työkappaletta taustapuolelta.
- ◆ Minimoi säilytyminen puristamalla palat hukkapuuta tai kovalevyä työkappaleen molemmille puolille ja sahaa kaikkien kerrosten läpi.

## Metallin sahaaminen

Ota huomioon, että metallin sahaaminen kestää pitempään kuin puun.

- ◆ Käytä metallin sahaamiseen sopivaa sahanterää. Käytä hienohampaista sahanterää, kun sahaat rautapitoisia metalleja. Käytä karkeampaa sahanterää, kun sahaat muita metalleja.
- ◆ Kun sahaat ohutta metalliarkkia, purista palat hukkapuuta työkappaleen molemmille puolille ja sahaa kaikkien kerrosten läpi.
- ◆ Levitä ohut kerros öljyä aiotulle sahauslinjalle.

## Lisävarusteet

Työkalun suorituskyky riippuu käytetystä lisävarusteesta. Stanley Fat Max -lisävarusteet on valmistettu korkealaatuiseksi ja suunniteltu parantamaan työkalun suorituskykyä. Käytämällä näitä lisävarusteita saat työkalustasi parhaan hyödyn. Tämä työkalu sopii sekä U- että T-vartisille sahanterille.

## Huolto

Tämä työkalu on suunniteltu toimimaan mahdollisimman pitkän aikaa mahdollisimman vähällä huollolla. Oikealla huollolla ja säännöllisellä puhdistuksella työkalu säilyttää suorituskykynsä.

**Varoitus!** Katkaise työkalusta virta ja irrota virtajohto pistorasista aina ennen huoltotoimenpiteitä.

- ◆ Puhdista työkalun ja laturin ilma-aukot säännöllisesti pehmeällä harjalla tai kuivalla liinalla.
- ◆ Puhdista moottorikotelo säännöllisesti kostealla liinalla. Älä koskaan käytä puhdistamiseen liuotainaineita tai syövyttäviä puhdistusaineita.
- ◆ Tiputa ajoittain tippa öljyä terän vastinrullan akselille.

## Virtapistokkeen vaihto (vain Iso-Britannia ja Irlanti)

Jos joudut vaihtamaan virtapistokkeen:

- ◆ Hävitä vanha pistoke ympäristöystävällisesti.
- ◆ Liitä ruskea johto uuden pistokkeen jännitteeseen napaan.
- ◆ Liitä sininen johto tähtipisteliittimeen.

**Varoitus!** Maadoitusliittimeen ei liitetä johtoa. Noudata pistokkeen mukana toimitettuja kiinnitysohjeita. Suositeltava sulake: 5 A.

## Ympäristönsuojelu



Erillinen keräys. Tätä tuotetta ei saa hävittää normaalin kotitalousjätteen mukana.

Kun Stanley Fat Max -laitteesi aikanaan täytyy vaihtaa tai ei kelpaa enää käyttöön, älä hävitä laitetta kotitalousjätteen mukana. Toimita laite kierrätettäväksi.



Käytettyjen tuotteiden ja pakkausmateriaalien erilliskeruun avulla materiaalit voidaan kierrättää ja käyttää uudelleen.

Kierrätysmateriaalien käyttö auttaa vähentämään ympäristön saastumista ja uusien raaka-aineiden tarvetta.

Paikallisissa säädöksissä voidaan määrätä, että kodin sähkötuotteiden keruu tapahtuu kaupunkien jätteidenkäsittelyasemilla tai laitteita myyvässä liikkeessä uuden tuotteen oston yhteydessä.

Stanley Europe kerää ja kierrättää Stanley Fat Max -tuotteet, kun ne ovat tulleet elinkaarensa loppuun. Vie tuotteesi valtuutettuun huoltoliikkeeseen, joka kerää vanhat laitteet puolestamme.

Saat valtuutettujen huoltoliikkeiden yhteystiedot ottamalla yhteyttä paikalliseen Stanley Europan toimipisteeseen tässä käyttöoppaassa ilmoitetussa osoitteessa. Valtuutettujen Stanley Europe -huoltoliikkeiden yhteystiedot sekä lisätietoja palveluistamme on myös Internetissä osoitteessa [www.2helpU.com](http://www.2helpU.com)

## Akku



Stanley Fat Max -akkuja voi ladata yhä uudelleen ja uudelleen. Hävitä loppuun kuluneet akut ympäristöstävällisesti.

- ◆ Käytä akku täysin loppuun ja irrota se sitten työkalusta.
- ◆ NiCd-, NiMH- ja Li-Ion-akut ovat kierrätettäviä. Voit viedä akun mihin tahansa valtuutettuun huoltoliikkeeseen tai paikalliselle jätteenajitteluasemalle.

## Tekniset tiedot

FMC650 (H1)		
Jännite	$V_{dc}$	18
Kuormittamaton nopeus	$min^{-1}$	0 - 2500
Iskunpituus	mm	19
Suurin sahaussyvyys		
Puu	mm	55
Teräs	mm	8
Alumiini	mm	20
Paino	kg	2,62

Laturi 905765** TYP 1		
Tulojännite	$V_{AC}$	220-240
Lähtöjännite	$V_{DC}$	20 (max)
Virta	A	2
Arvioitu latausaika	min	120

Akku FMC688L		
Jännite	$V_{DC}$	18
Kapasiteetti	Ah	4.0
Tyyppi	Li-Ion	

$L_{pA}$ (äänenpaine) 84.5 dB(A), epävarmuus (K) 3 dB(A)
$L_{WA}$ (äänitehotaso) 95.5 dB(A), epävarmuus (K) 3 dB(A)
<b>Tärinän kokonaisarvot (vektorisumma) standardin EN 60745 mukaisesti:</b>
Leikattaessa puulevyjä ( $a_{h,E}$ ) 6 $m/s^2$ , epävarmuus (K) 1.5 $m/s^2$
Leikattaessa metallilevyjä ( $a_{h,M}$ ) 4.3 $m/s^2$ , epävarmuus (K) 1.5 $m/s^2$

**EY-vaatimusten mukaisuusvakuutus**

KONEDIREKTIIVI



Johdoton pistosaha – FMC650

Stanley Europe ilmoittaa, että tuotteet, jotka on kuvattu kohdassa Tekniset tiedot, täyttävät seuraavien direktiivien vaatimukset:

2006/42/EY, EN 60745-1, EN 60745-2-11

Nämä tuotteet täyttävät myös direktiivien 2004/108/EY ja 2011/65/EU vaatimukset. Lisätietoja saa ottamalla yhteyttä Stanley Europeen seuraavassa osoitteessa. Tiedot ovat myös käyttöoppaan takakannessa.

Allekirjoittanut vastaa teknisten tietojen kokoamisesta ja antaa tämän ilmoituksen Stanley Europeen puolesta.

Kevin Hewitt  
Vice-President Global Engineering  
Stanley Europe, Egide Walschaertsstraat 14-18,  
2800 Mechelen, Belgium  
23/12/2013

**Takuu**

Stanley Europe takaa, ettei tuotteessa ole materiaali- ja/tai valmistusvikaa silloin, kun se toimitetaan ostajalle ammattikäyttöön. Takuu on lisäksi yksityisen ammattikäyttäjän sopimusoikeuksiin eikä se vaikuta niihin. Takuu on voimassa Euroopan unionin jäsenmaissa ja Euroopan vapaakauppa-alueella (EFTA).

**YHDEN VUODEN TÄYDELLINEN TAKUU**

Mikäli Stanley Fat Max -tuotteessa ilmenee vika materiaali- ja/tai valmistusvirheen vuoksi 12 kuukauden kuluessa ostopäivästä, Stanley Europe takaa vaihtavansa vialliset osat tai koko tuotteen Stanley Europeen valinnan mukaan ilman kustannuksia ostajalle edellyttäen, että

- ◆ tuotetta ei ole käytetty virheellisesti, vaan sitä on käytetty käyttöoppaan ohjeiden mukaisesti
- ◆ tuote on altistunut vain normaaliille kulumiselle
- ◆ tuotetta ei ole korjannut valtuuttamaton henkilö
- ◆ ostokuitti esitetään
- ◆ Stanley Fat Max -tuote palautetaan kaikkien alkuperäisten osien kanssa.

Jos haluat tehdä korvausvaatimuksen, ota yhteyttä ostopaikkaan tai katso lähimmän valtuutetun Stanley Fat Max -huoltoliikkeen yhteystiedot Stanley Fat Max -tuoteluettelosta tai ota yhteyttä paikalliseen Stanley-toimipisteeseen tässä ohjeessa kerrotussa osoitteessa. Valtuutettujen Stanley Fat Max -huoltoliikkeiden yhteystiedot sekä lisätietoja palveluistamme on myös Internetissä osoitteessa [www.stanley.eu/3](http://www.stanley.eu/3).

## Ενδεδειγμένη χρήση

Η σέγα Stanley Fat Max έχει σχεδιαστεί για το πριόνισμα ξύλου, πλαστικών και μετάλλου. Αυτό το εργαλείο προορίζεται για επαγγελματική και ιδιωτική, μη επαγγελματική χρήση.

## Οδηγίες ασφαλείας

### Γενικές προειδοποιήσεις ασφαλείας για τα ηλεκτρικά εργαλεία



**Προειδοποίηση!** Διαβάστε όλες τις προειδοποιήσεις ασφαλείας και όλες τις οδηγίες. Η μη τήρηση των παρακάτω προειδοποιήσεων και οδηγιών μπορεί να προκαλέσει ηλεκτροπληξία, πυρκαγιά ή/και σοβαρούς τραυματισμούς.

Φυλάξτε όλες τις προειδοποιήσεις και τις οδηγίες για μελλοντική αναφορά. Ο χαρακτηρισμός "ηλεκτρικό εργαλείο" που χρησιμοποιείται σε όλες τις παρακάτω προειδοποιήσεις αναφέρεται σε εργαλεία που συνδέονται στην πρίζα (με καλώδιο) ή σε εργαλεία που λειτουργούν με μπαταρία (χωρίς καλώδιο).

#### 1. Ασφάλεια χώρου εργασίας

- α. Διατηρείτε το χώρο εργασίας καθαρό και καλά φωτισμένο. Οι ακατάστατοι χώροι και τα σημεία χωρίς καλό φωτισμό προκαλούν ατυχήματα.
- β. Μην χρησιμοποιείτε ηλεκτρικά εργαλεία σε περιβάλλον όπου υπάρχει κίνδυνος έκρηξης, π.χ. παρουσία εύφλεκτων υγρών, αερίων ή σκόνης. Τα ηλεκτρικά εργαλεία μπορεί να δημιουργήσουν σπινθηρισμό ο οποίος μπορεί να αναφλέξει τη σκόνη ή τις αναθυμιάσεις.
- γ. Όταν χρησιμοποιείτε το ηλεκτρικό εργαλείο, κρατάτε τα παιδιά και τα υπόλοιπα άτομα μακριά από το χώρο εργασίας. Εάν αποσπαστεί η προσοχή σας μπορεί να χάσετε τον έλεγχο.

#### 2. Ασφαλής χρήση ηλεκτρικού ρεύματος

- α. Το φως του καλωδίου του ηλεκτρικού εργαλείου πρέπει να ταιριάζει στην αντίστοιχη πρίζα. Δεν επιτρέπεται με κανέναν τρόπο η μετασκευή του φως. Μην χρησιμοποιείτε προσαρμοστικά φως με γειωμένα ηλεκτρικά εργαλεία. Τα φως που δεν έχουν υποστεί τροποποιήσεις και οι κατάλληλες πρίζες μειώνουν τον κίνδυνο ηλεκτροπληξίας.
- β. Αποφύγετε την επαφή του σώματός σας με γειωμένες επιφάνειες όπως σωλήνες, θερμαντικά σώματα (καλοριφέρ), κουζίνες και ψυγεία. Όταν το σώμα σας είναι γειωμένο, αυξάνεται ο κίνδυνος ηλεκτροπληξίας.

- γ. Μην εκθέτετε τα ηλεκτρικά εργαλεία στη βροχή ή την υγρασία. Η εισχώρηση νερού στο ηλεκτρικό εργαλείο αυξάνει τον κίνδυνο ηλεκτροπληξίας.
- δ. Μην κακομεταχειρίζεστε το καλώδιο. Μην χρησιμοποιείτε ποτέ το καλώδιο για να μεταφέρετε το εργαλείο, να το τραβήξετε ή να το αποσυνδέσετε από την πρίζα. Κρατάτε το καλώδιο μακριά από θερμότητα, λάδια, αιχμηρά άκρα ή κινούμενα μέρη. Τυχόν χαλασμένα ή μπερδεμένα καλώδια αυξάνουν τον κίνδυνο ηλεκτροπληξίας.
- ε. Όταν χρησιμοποιείτε το ηλεκτρικό εργαλείο σε εξωτερικούς χώρους, να χρησιμοποιείτε πάντοτε καλώδια προέκτασης κατάλληλα για χρήση σε εξωτερικούς χώρους. Η χρήση καλωδίου προέκτασης κατάλληλου για εργασία σε εξωτερικούς χώρους μειώνει τον κίνδυνο ηλεκτροπληξίας.
- στ. Εάν η χρήση ενός ηλεκτρικού εργαλείου σε υγρή τοποθεσία είναι αναπόφευκτη, χρησιμοποιήστε μια Διάταξη Προστασίας Ρεύματος Διαρροής (RCD). Η χρήση διάταξης RCD μειώνει τον κίνδυνο ηλεκτροπληξίας.

#### 3. Ασφάλεια προσώπων

- α. Όταν χρησιμοποιείτε το ηλεκτρικό εργαλείο, να είστε προσεκτικοί, να δίνετε προσοχή στην εργασία που κάνετε και να επιστρατεύετε την κοινή λογική. Μην χρησιμοποιείτε το ηλεκτρικό εργαλείο όταν είστε κουρασμένοι ή όταν βρίσκεστε υπό την επήρεια ναρκωτικών, οινοπνεύματος ή φαρμάκων. Μια στιγμή απροσεξία κατά το χειρισμό του ηλεκτρικού εργαλείου μπορεί να οδηγήσει σε σοβαρούς τραυματισμούς.
- β. Να χρησιμοποιείτε εξοπλισμό προσωπικής προστασίας. Να φοράτε πάντα προστατευτικά γυαλιά. Ο κίνδυνος τραυματισμών μειώνεται όταν χρησιμοποιείτε εξοπλισμό προστασίας, όπως μάσκα προστασίας από σκόνη, αντλιοσθητικά παπούτσια ασφαλείας, κράνη ή ωτασπίδες, ανάλογα με τις συνθήκες εργασίας.
- γ. Εμποδίστε την ακούσια ενεργοποίηση του εργαλείου. Βεβαιωθείτε ότι ο διακόπτης λειτουργίας βρίσκεται στη θέση "OFF" πριν συνδέσετε το εργαλείο στην πρίζα ή/και στην μπαταρία και πριν το σηκώσετε ή το μεταφέρετε. Η μεταφορά ηλεκτρικών εργαλείων με το δάχτυλό σας επάνω στο διακόπτη ή η σύνδεση στην πρίζα ηλεκτρικών εργαλείων με το διακόπτη στη θέση ενεργοποίησης, ενέχει κινδύνους πρόκλησης ατυχημάτων.
- δ. Πριν θέσετε το ηλεκτρικό εργαλείο σε λειτουργία, αφαιρέστε τυχόν εργαλεία ή κλειδιά ρύθμισης. Εάν αφήσετε ένα εργαλείο ή κλειδί πάνω σε κάποιο περιστρεφόμενο εξάρτημα ενός ηλεκτρικού εργαλείου μπορεί να προκληθούν τραυματισμοί.

- ε. Μην τεντώνεστε. Φροντίστε πάντοτε να έχετε την κατάλληλη στάση και να διατηρείτε την ισοροπία σας.** Αυτό σας επιτρέπει τον καλύτερο έλεγχο του ηλεκτρικού εργαλείου σε περιπτώσεις απροσδόκητων καταστάσεων.
- στ. Φοράτε κατάλληλη ενδυμασία εργασίας. Μην φοράτε φαρδιά ρούχα ή κοσμήματα. Κρατάτε τα μαλλιά, τα ενδύματα και τα γάντια σας μακριά από τα κινούμενα εξαρτήματα.** Τα φαρδιά ρούχα, τα κοσμήματα και τα μακριά μαλλιά μπορεί να εμπλακούν στα κινούμενα εξαρτήματα.
- ζ. Αν παρέχονται διατάξεις απαγωγής και συλλογής της σκόνης, βεβαιωθείτε ότι είναι συνδεδεμένες και ότι χρησιμοποιούνται σωστά.** Η χρήση συλλογής σκόνης μειώνει τους κινδύνους που σχετίζονται με τη σκόνη.
- 4. Χρήση και φροντίδα του ηλεκτρικού εργαλείου**
- α. Μην υπερφορτώνετε το ηλεκτρικό εργαλείο.** Χρησιμοποιείτε για την εκάστοτε εργασία σας το ηλεκτρικό εργαλείο που προορίζεται για αυτήν. Με το κατάλληλο ηλεκτρικό εργαλείο, εργάζεστε καλύτερα και ασφαλέστερα στην ονομαστική περιοχή ισχύος του.
- β. Μην χρησιμοποιήσετε ποτέ ένα ηλεκτρικό εργαλείο του οποίου ο διακόπτης λειτουργίας είναι χαλασμένος.** Οποιοδήποτε ηλεκτρικό εργαλείο του οποίου η λειτουργία δεν μπορεί να ελεγχθεί με το διακόπτη είναι επικίνδυνο και πρέπει να επισκευαστεί.
- γ. Βγάλτε το φις από την πρίζα ή/και την μπαταρία από το ηλεκτρικό εργαλείο, πριν διεξαγάγετε κάποια εργασία ρύθμισης, πριν αλλάξετε κάποιο αξεσουάρ ή όταν πρόκειται να αποθηκεύσετε τα ηλεκτρικά εργαλεία.** Αυτά τα προληπτικά μέτρα ασφαλείας μειώνουν τον κίνδυνο να τεθεί το εργαλείο ακούσια σε λειτουργία.
- δ. Να φυλάτε τα ηλεκτρικά εργαλεία που δε χρησιμοποιείτε μακριά από παιδιά. Μην αφήνετε άτομα που δεν είναι εξοικειωμένα με το ηλεκτρικό εργαλείο ή που δεν έχουν διαβάσει αυτές τις οδηγίες χρήσης να το χρησιμοποιήσουν.** Τα ηλεκτρικά εργαλεία είναι επικίνδυνα όταν χρησιμοποιούνται από άτομα χωρίς κατάλληλη εκπαίδευση.
- ε. Να συντηρείτε τα ηλεκτρικά εργαλεία. Ελέγξτε εάν τα κινούμενα εξαρτήματα είναι σωστά ευθυγραμμισμένα ή μήπως έχουν μπλοκάρει, μήπως έχουν σπάσει κομμάτια, καθώς και εάν πληρούνται όλες οι υπόλοιπες προϋποθέσεις που ενδεχομένως να επηρεάσουν τη σωστή λειτουργία του εργαλείου. Δώστε τυχόν χαλασμένα εξαρτήματα του ηλεκτρικού εργαλείου για επισκευή πριν το χρησιμοποιήσετε πάλι.** Η ανεπαρκής συντήρηση των ηλεκτρικών εργαλείων αποτελεί αιτία πολλών ατυχημάτων.
- στ. Διατηρείτε τα κοπτικά εργαλεία κοφτερά και καθαρά.** Τα κοπτικά εργαλεία με αιχμηρά κοπτικά άκρα που συντηρούνται σωστά έχουν λιγότερες πιθανότητες να μπλοκάρουν και ελέγχονται ευκολότερα.
- ζ. Να χρησιμοποιείτε τα ηλεκτρικά εργαλεία, τα αξεσουάρ, τις μύτες εργαλείων κλπ. σύμφωνα με τις παρούσες οδηγίες, λαμβάνοντας υπόψη σας τις συνθήκες εργασίας και την εργασία που θέλετε να εκτελέσετε.** Η χρήση του ηλεκτρικού εργαλείου για εργασίες πέρα από τις προβλεπόμενες μπορεί να οδηγήσει σε επικίνδυνες καταστάσεις.
- 5. Χρήση και συντήρηση του εργαλείου μπαταρίας**
- α. Επαναφορτίστε μόνο με το φορτιστή που καθορίζεται από τον κατασκευαστή.** Ένας φορτιστής που είναι κατάλληλος για έναν τύπο μπαταρίας μπορεί να προκαλέσει κίνδυνο πυρκαγιάς εάν χρησιμοποιηθεί με άλλη μπαταρία.
- β. Χρησιμοποιείτε τα ηλεκτρικά εργαλεία αποκλειστικά και μόνο με τις καθοριζόμενες μπαταρίες.** Η χρήση άλλων μπαταριών μπορεί να προκαλέσει κίνδυνο τραυματισμού και πυρκαγιάς.
- γ. Όταν η μπαταρία δε χρησιμοποιείται, μην την πλησιάζετε σε μεταλλικά αντικείμενα, όπως συνδέτηρες, κέρματα, κλειδιά, καρφιά, βίδες ή άλλα μικρά μεταλλικά αντικείμενα που μπορούν να βραχυκυκλώσουν τους δύο ακροδέκτες της.** Εάν βραχυκυκλώσουν οι πόλοι της μπαταρίας μπορεί να προκληθούν εγκαύματα ή πυρκαγιά.
- δ. Υπό ακραίες συνθήκες, είναι δυνατή η διαρροή υγρού από την μπαταρία, με το οποίο πρέπει να αποφύγετε την επαφή. Σε περίπτωση κατά λάθος επαφής, ξεπλύνετε με νερό.** Εάν το υγρό έρθει σε επαφή με τα μάτια, ζητήστε και ιατρική βοήθεια. Το υγρό που διαρρέει από την μπαταρία μπορεί να προκαλέσει ερεθισμούς ή εγκαύματα.
- 6. Τεχνική εξυπηρέτηση**
- α. Εργασίες τεχνικής εξυπηρέτησης του ηλεκτρικού σας εργαλείου πρέπει να αναλαμβάνουν μόνο έμπειροι τεχνικοί και μόνο χρησιμοποιώντας γνήσια ανταλλακτικά.** Έτσι, εξασφαλίζεται η διατήρηση της ασφάλειας του ηλεκτρικού εργαλείου.

### Συμπληρωματικές προειδοποιήσεις ασφαλείας για τα ηλεκτρικά εργαλεία



**Προειδοποίηση!** Συμπληρωματικές προειδοποιήσεις ασφαλείας για τις σέγες και τις παλινδρομικές σέγες



- ◆ **Κρατάτε το ηλεκτρικό εργαλείο από τις μονωμένες επιφάνειες συγκράτησης, όταν εκτελείτε κάποια εργασία κατά την οποία το εξάρτημα κοπής μπορεί να έρθει σε επαφή με κρυμμένα καλώδια.** Ένα εξάρτημα κοπής το οποίο έρχεται σε επαφή με ηλεκτροφόρο καλώδιο μπορεί να καταστήσει και τα εκτεθειμένα μεταλλικά μέρη του ηλεκτρικού εργαλείου ηλεκτροφόρα και να προκαλέσει ηλεκτροπληξία στον χειριστή του.
- ◆ **Χρησιμοποιείτε σφικτήρες ή άλλα πρακτικά μέσα για να ασφαλίσετε και να στηρίξετε το προς επεξεργασία αντικείμενο σε μια σταθερή βάση.** Η συγκράτηση του κατεργαζόμενου τεμαχίου με το χέρι ή επάνω στο σώμα σας το καθιστά ασταθές και μπορεί να οδηγήσει σε απώλεια του ελέγχου.
- ◆ **Μην πλησιάζετε τα χέρια σας στην περιοχή κοπής.** Ποτέ μην πλησιάζετε τα χέρια σας κάτω από το υπό επεξεργασία αντικείμενο για οποιονδήποτε λόγο. Μην πλησιάζετε τα δάχτυλα ή τον αντίχειρά σας κοντά στην παλλόμενη λάμα και το σφικτήριο της λάμας. Μην σταθεροποιείτε το πριόνι κρατώντας το από το πέδιλο.
- ◆ **Διατηρείτε τις λάμες κοφτερές.** Οι στομαμένες ή κατεστραμμένες λάμες μπορεί να προκαλέσουν παρέκκλιση του πριονιού ή διακοπή της λειτουργίας του υπό πίεση. Χρησιμοποιείτε πάντα τον κατάλληλο τύπο πριονόλαμας ανάλογα το υλικό του κατεργαζόμενου τεμαχίου και τον τύπο κοπής.
- ◆ **Όταν κόβετε σωλήνες ή αγωγούς βεβαιωθείτε ότι δεν περιέχουν νερό, ηλεκτρικές καλωδιώσεις, κ.τ.λ.**
- ◆ **Μην αγγίζετε το προς επεξεργασία αντικείμενο ή τη λάμα αμέσως μετά τη χρήση του εργαλείου.** Μπορεί να είναι πολύ ζεστά.
- ◆ **Προσέχετε τους κρυφούς κινδύνους και, πριν από την κοπή τοίχων, δαπέδων ή ταβανιών, ελέγχετε για τυχόν διερχόμενα καλώδια ή σωλήνες.**
- ◆ **Η λάμα συνεχίζει να κινείται και μετά την απασφάλιση του διακόπτη.** Απενεργοποιείτε πάντα το εργαλείο και περιμένετε να σταματήσει εντελώς η πριονόλαμα προτού ακουμπήσετε κάτω το εργαλείο.

**Προειδοποίηση!** Η επαφή ή η εισπνοή της σκόνης που δημιουργούν οι εφαρμογές κοπής μπορεί να επιφέρουν κίνδυνο για την υγεία του χειριστή και των ατόμων που ενδεχομένως παρευρίσκονται. Φορέστε μάσκα σκόνης ειδικά σχεδιασμένη για προστασία έναντι της σκόνης και των αναθυμιάσεων και βεβαιωθείτε ότι τα άτομα που βρίσκονται ή εισέρχονται στο χώρο εργασίας είναι επίσης προστατευμένα.

- ◆ Η προβλεπόμενη χρήση περιγράφεται στο παρόν εγχειρίδιο οδηγιών. Η χρήση οποιοδήποτε αξεσουάρ ή εξαρτήματος ή η εκτέλεση με αυτό το εργαλείο οποιασδήποτε άλλης εργασίας πέραν αυτών που συνιστώνται στο παρόν εγχειρίδιο οδηγιών ενδέχεται να ενέχει κίνδυνο τραυματισμού ή/και υλικών ζημιών.

## Ασφάλεια τρίτων

- ◆ Αυτό το εργαλείο δεν προορίζεται για χρήση από άτομα (στα οποία περιλαμβάνονται και τα παιδιά) με μειωμένες φυσικές, αντιληπτικές ή διανοητικές ικανότητες ή άτομα χωρίς εμπειρία και γνώσεις, παρά μόνο εφόσον επιτηρούνται ή τους έχουν δοθεί οδηγίες σχετικά με τη χρήση του εργαλείου από άτομο υπεύθυνο για την ασφάλειά τους.
- ◆ Τα παιδιά πρέπει να επιτηρούνται για να διασφαλίζεται ότι δεν παίζουν με το εργαλείο.

## Αναπόφευκτοι κίνδυνοι.

Μπορεί να δημιουργηθούν επιπρόσθετοι αναπόφευκτοι κίνδυνοι όταν χρησιμοποιείτε το εργαλείο, οι οποίοι μπορεί να μην συμπεριλαμβάνονται στις προειδοποιήσεις ασφαλείας που εσωκλείονται. Αυτοί οι κίνδυνοι μπορεί να προκληθούν από κακή χρήση, παρατεταμένη χρήση κτλ.

Ακόμα και με την τήρηση των σχετικών κανονισμών ασφαλείας και τη χρήση μέσων προστασίας, ορισμένοι κίνδυνοι δεν είναι δυνατόν να εξαλειφθούν. Αυτοί περιλαμβάνουν:

- ◆ Τραυματισμούς από το άγγιγμα των περιστρεφόμενων/κινούμενων εξαρτημάτων.
- ◆ Τραυματισμούς από αλλαγή οποιουδήποτε εξαρτημάτων, λεπίδων ή αξεσουάρ.
- ◆ Τραυματισμούς από παρατεταμένη χρήση του εργαλείου. Όταν χρησιμοποιείτε οποιοδήποτε εργαλείο για παρατεταμένες χρονικές περιόδους, βεβαιωθείτε ότι κάνετε τακτικά διαλείμματα.
- ◆ Προβλήματα ακοής.
- ◆ Κίνδυνοι στην υγεία που προκαλούνται από την εισπνοή σκόνης όταν χρησιμοποιείτε το εργαλείο (παραδείγματα:- όταν επεξεργάζεστε ξύλο, ειδικά δρυ, οξιά και MDF.)

## Δόνηση

Η δηλωμένη τιμή εκπομπής δόνησης που αναφέρεται στα τεχνικά χαρακτηριστικά και τη δήλωση συμμόρφωσης έχει μετρηθεί σύμφωνα με μια τυποποιημένη μέθοδο δοκιμής που παρέχεται από το πρότυπο EN 60745 και μπορεί να χρησιμοποιηθεί για τη σύγκριση ενός εργαλείου με ένα άλλο. Η δηλωμένη τιμή εκπομπής δόνησης μπορεί επίσης να χρησιμοποιηθεί σε έναν προκαταρκτικό προσδιορισμό της έκθεσης.

**Προειδοποίηση!** Η τιμή εκπομπής δόνησης κατά την πραγματική χρήση του ηλεκτρικού εργαλείου μπορεί να διαφέρει από τη δηλωμένη τιμή, ανάλογα με το τρόπο που χρησιμοποιείται το εργαλείο. Η στάθμη δόνησης μπορεί να αυξηθεί πάνω από τη στάθμη που έχει δηλωθεί.

Κατά τον προσδιορισμό της έκθεσης σε δόνηση για τον καθορισμό των απαιτούμενων μέτρων ασφάλειας σύμφωνα με την οδηγία 2002/44/ΕΚ για την προστασία προσώπων που χρησιμοποιούν συχνά ηλεκτρικά εργαλεία στην εργασία τους, μια προσεγγιστική εκτίμηση της έκθεσης σε δόνηση πρέπει να λαμβάνει υπόψη τις πραγματικές συνθήκες χρήσης και τον τρόπο χρήσης του εργαλείου, συμπεριλαμβανομένων και όλων των επιμέρους τμημάτων του κύκλου εργασίας, όπως, πόσες φορές τέθηκε το εργαλείο εκτός λειτουργίας, τότε είναι σε λειτουργία χωρίς φορτίο και επιπρόσθετα ο χρόνος πίεσης της σκανδάλης.

## Ετικέτες στο εργαλείο

Τα ακόλουθα σύμβολα εμφανίζονται στο εργαλείο:



**Προειδοποίηση!** Για να μειωθεί ο κίνδυνος τραυματισμού, ο χρήστης πρέπει να διαβάσει το εγχειρίδιο οδηγιών.

## Συμπληρωματικές οδηγίες ασφαλείας για τις μπαταρίες και τους φορτιστές

### Μπαταρίες

- ◆ Μην επιχειρήσετε ποτέ να ανοίξετε τις μπαταρίες για οποιονδήποτε λόγο.
- ◆ Μην εκθέτετε την μπαταρία σε νερό.
- ◆ Μην φυλάσσετε την μπαταρία σε χώρους όπου η θερμοκρασία μπορεί να υπερβεί τους 40 °C.
- ◆ Η φόρτιση πρέπει να γίνεται μόνο σε θερμοκρασίες περιβάλλοντος μεταξύ 10 °C και 40 °C.
- ◆ Η φόρτιση πρέπει να γίνεται μόνο με τους φορτιστές που παρέχονται μαζί με το εργαλείο.
- ◆ Όταν απορρίπτετε τις μπαταρίες, ακολουθήστε τις οδηγίες που δίνονται στην ενότητα "Προστασία του περιβάλλοντος".



**Μην επιχειρήσετε να φορτίσετε κατεστραμμένες μπαταρίες.**

### Φορτιστές

- ◆ Ο φορτιστής Stanley Fat Max πρέπει να χρησιμοποιείται αποκλειστικά και μόνο για τη φόρτιση της μπαταρίας του εργαλείου το οποίο συνοδεύει. Άλλες μπαταρίες μπορεί να εκραγούν, προκαλώντας τραυματισμό και ζημιές.
- ◆ Μην επιχειρείτε ποτέ να φορτίσετε μη επαναφορτιζόμενες μπαταρίες.
- ◆ Εάν κάποιο καλώδιο φθαρεί, αντικαταστήστε το αμέσως.
- ◆ Μην εκθέτετε το φορτιστή σε νερό.
- ◆ Μην ανοίγετε το φορτιστή.
- ◆ Μην επεμβαίνετε στο φορτιστή.



Ο φορτιστής προορίζεται για χρήση μόνο σε εσωτερικούς χώρους.



Διαβάστε το εγχειρίδιο οδηγιών πριν από τη χρήση.

## Ασφαλής χρήση ηλεκτρικού ρεύματος



Ο φορτιστής σας φέρει διπλή μόνωση. Επομένως, δεν απαιτείται σύρμα γείωσης. Ελέγχετε πάντα ότι η τάση τροφοδοσίας αντιστοιχεί σε αυτήν που αναγράφεται στην πινακίδα τεχνικών χαρακτηριστικών. Ποτέ μην επιχειρείτε να αντικαταστήσετε τη μονάδα φορτιστή με έναν κανονικό ρευματολήπτη.

- ◆ Αν το καλώδιο ρεύματος έχει υποστεί φθορά, πρέπει να αντικατασταθεί από τον κατασκευαστή ή από ένα εξουσιοδοτημένο κέντρο επισκευών της Stanley Fat Max, ώστε να μην αποτελέσει κίνδυνο.

## Χαρακτηριστικά

Αυτό το εργαλείο διαθέτει μερικά από ή όλα τα παρακάτω χαρακτηριστικά.

1. Διακόπτης-σκανδάλη μεταβλητής ταχύτητας
2. Κουμπί απασφάλισης
3. Μοχλός κλειδώματος πριονόλαμας
4. Σφινγκήρας πριονόλαμας
5. Πέδιλο
6. Κουμπί λειτουργίας κοπής
7. Μπαταρία

## εικ. Α

8. Φορτιστής μπαταριών
9. Ενδεικτική λυχνία φόρτισης

## Συναρμολόγηση

**Προειδοποίηση!** Πριν από τη συναρμολόγηση, αφαιρέστε τη μπαταρία από το εργαλείο και βεβαιωθείτε ότι η πριονόλαμα έχει σταματήσει να κινείται. Οι πριονόλαμες μετά από χρήση μπορεί να είναι ζεστές.

## Τοποθέτηση και αφαίρεση της πριονόλαμας (εικ. Β)

- ◆ Κρατήστε την πριονόλαμα (10) με τα δόντια στραμμένα προς τα εμπρός.
- ◆ Ανασηκώστε το μοχλό κλειδώματος πριονόλαμας (3) προς τα επάνω.
- ◆ Τοποθετήστε το στέλεχος της λάμας πλήρως στο σφινγκήρα της λάμας (4) μέχρι το τέρμα της διαδρομής του.
- ◆ Ελευθερώστε το μοχλό.

- ◆ Για να αφαιρέσετε την πριονόλαμα (10), ανασηκώστε το μοχλό κλειδώματος πριονόλαμας (3) προς τα επάνω και τραβήξτε τη λάμα έξω.

### Τοποθέτηση και αφαίρεση της μπαταρίας (εικ. C)

- ◆ Για να τοποθετήσετε τη μπαταρία (7), ευθυγραμμίστε την με την υποδοχή στο εργαλείο. Περάστε τη μπαταρία μέσα στην υποδοχή και σπρώξτε την μέχρι να ασφαλίσει στη θέση της.
- ◆ Για να αφαιρέσετε τη μπαταρία, πατήστε τα κουμπιά απασφάλισης (11) και ταυτόχρονα τραβήξτε τη μπαταρία έξω από την υποδοχή.

### Χρήση

**Προειδοποίηση!** Αφήστε το εργαλείο να λειτουργήσει με το δικό του ρυθμό. Μην υπερφορτώνετε.

**Προειδοποίηση!** Μη χρησιμοποιείτε ποτέ τη σέγα όταν το πέδιλο έχει χαλαρώσει ή έχει αφαιρεθεί.

### Φόρτιση της μπαταρίας (εικ. A)

Η μπαταρία πρέπει να φορτίζεται πριν από την πρώτη χρήση και όποτε αδυνατεί να παρέχει επαρκή ισχύ σε εργασίες η εκτέλεση των οποίων ήταν προγενέστερα εύκολη. Η μπαταρία μπορεί να θερμαίνεται κατά τη φόρτιση. Κάτι τέτοιο είναι φυσιολογικό και δεν υποδηλώνει πρόβλημα.

**Προειδοποίηση!** Μην φορτίζετε την μπαταρία σε θερμοκρασίες περιβάλλοντος κάτω από 10°C ή πάνω από 40°C. Συνιστώμενη θερμοκρασία φόρτισης: περίπου 24 °C.

**Σημείωση:** Ο φορτιστής δε θα φορτίσει μια μπαταρία με θερμοκρασία κυψέλης κάτω από περίπου 10 °C ή πάνω από 40 °C.

**Η μπαταρία πρέπει να μείνει στο φορτιστή και αυτός θα αρχίσει να τη φορτίζει αυτόματα μόλις η θερμοκρασία κυψέλης αυξηθεί ή μειωθεί αντίστοιχα.**

- ◆ Για να φορτίσετε την μπαταρία (7), τοποθετήστε την στο φορτιστή (8). Η μπαταρία μπορεί να τοποθετηθεί στο φορτιστή μόνο με έναν τρόπο. Μην ασκείτε δύναμη. Βεβαιωθείτε ότι η μπαταρία είναι τοποθετημένη σωστά στο φορτιστή.
- ◆ Συνδέστε το φορτιστή στο εργαλείο και στη συνέχεια στο ρεύμα.

Η ενδεικτική λυχνία φόρτισης (9) θα αναβοσβήσει.

Η φόρτιση έχει ολοκληρωθεί όταν η ενδεικτική λυχνία φόρτισης (9) ανάβει σταθερά. Ο φορτιστής και η μπαταρία μπορεί να μείνουν σε σύνδεση επ' αόριστον. Η ενδεικτική λυχνία LED θα ανάβει καθώς ο φορτιστής αναπληρώνει περιστασιακά το φορτίο της μπαταρίας.

- ◆ Φορτίζετε τις αποφορτισμένες μπαταρίες εντός 1 εβδομάδας. Η διάρκεια ζωής μιας μπαταρίας μειώνεται σημαντικά εάν αυτή αποθηκευτεί σε αποφορτισμένη κατάσταση.

### Παραμονή της μπαταρίας στο φορτιστή

Ο φορτιστής και η μπαταρία μπορούν να παραμείνουν συνδεδεμένα με τη λυχνία LED αναμμένη επ' αόριστον. Ο φορτιστής θα διατηρήσει την μπαταρία πλήρως φορτισμένη.

### Διαγνωστικά φορτιστή

Εάν ο φορτιστής εντοπίσει μια ασθενή ή κατεστραμμένη μπαταρία, η ενδεικτική λυχνία φόρτισης (9) θα αρχίσει να αναβοσβήνει γρήγορα με κόκκινο χρώμα. Προχωρήστε ως εξής:

- ◆ Επανατοποθετήστε τη μπαταρία (7)..
- ◆ Εάν οι ενδεικτικές λυχνίες φόρτισης συνεχίσουν να αναβοσβήνουν γρήγορα με κόκκινο χρώμα, χρησιμοποιήστε άλλη μπαταρία για να εξακριβώσετε εάν η διαδικασία φόρτισης εκτελείται σωστά.
- ◆ Εάν η νέα μπαταρία φορτίζεται σωστά, αυτό σημαίνει ότι η αρχική μπαταρία είναι ελαττωματική και θα πρέπει να επιστραφεί σε ένα κέντρο τεχνικής εξυπηρέτησης για ανακύκλωση.
- ◆ Εάν η νέα μπαταρία δίνει την ίδια ένδειξη με την αρχική μπαταρία, παραδώστε το φορτιστή για έλεγχο σε ένα εξουσιοδοτημένο κέντρο τεχνικής εξυπηρέτησης.

**Σημείωση:** Μπορεί να χρειαστούν μέχρι και 30 λεπτά για να εξακριβωθεί εάν η μπαταρία είναι ελαττωματική.

**Εάν η μπαταρία είναι πολύ θερμή ή πολύ κρύα, η ενδεικτική λυχνία LED θα αναβοσβήνει με κόκκινο χρώμα σε γρήγορο και αργό ρυθμό εναλλασσόμενα, με μια αναλαμπή σε κάθε ρυθμό και επαναλαμβανόμενα.**

### Ενεργοποίηση και απενεργοποίηση (εικ. D & E)

- ◆ Για να ενεργοποιήσετε το εργαλείο, σπρώξτε το κουμπί απασφάλισης (2) αριστερόστροφα. Στη συνέχεια, έλξτε και κρατήστε πατημένο το διακόπτη-σκανδάλι μεταβλητής ταχύτητας (1).
- ◆ Για να απενεργοποιήσετε, απελευθερώστε το διακόπτη-σκανδάλι (1).

**Προειδοποίηση!** Μην ενεργοποιείτε ή απενεργοποιείτε το εργαλείο όταν βρίσκεται υπό φορτίο.

**Προειδοποίηση!** Σπρώχνετε πάντα το διακόπτη απασφάλισης (2) δεξιόστροφα στη θέση ασφάλισης όταν το εργαλείο δεν χρησιμοποιείται.

### Έλεγχος μεταβλητής ταχύτητας

Ο διακόπτης μεταβλητής ταχύτητας on/off προσφέρει μια επιλογή ταχυτήτων για κατά πολύ βελτιωμένους ρυθμούς κοπής σε διάφορα υλικά.

- ◆ Η ταχύτητα καθορίζεται από το βαθμό έλξης του διακόπτη-σκανδάλι (1).

### Λοξή κοπή (εικ. F, G και H)

Το πέδιλο μπορεί να ρυθμιστεί για δεξιά ή αριστερή λοξή κοπή σε γωνία 45°.

**Για να ρυθμιστεί η γωνία λοξής κοπής:**

- ◆ Χαλαρώστε το μπουλόνι στερέωσης του πέλδου (12) με το εξαγωνικό κλειδί που παρέχεται για να απασφαλίσετε το πέλδο (5).
- ◆ Σπρώξτε το πέλδο (5) εμπρός για να το απελευθερώσετε από τη θέση συγκράτησης των 0°.
- ◆ Περιστρέψτε το πέλδο στην επιθυμητή γωνία λοξής κοπής (εικ. Γ).
- ◆ Σπρώξτε το πέλδο προς τα πίσω για να το ασφαλίσετε στην αριστερή ή τη δεξιά θέση συγκράτησης.
- ◆ Σφίξτε το μπουλόνι στερέωσης του πέλδου (12) με το εξαγωνικό κλειδί που παρέχεται για να ασφαλίσετε το πέλδο (5) στην απαιτούμενη θέση.

**Σημείωση:** Το πέλδο μπορεί να θεθεί σε γωνία προς τα αριστερά ή προς τα δεξιά και διαθέτει θέσεις συγκράτησης στις 45°.

**Λειτουργία κοπής (εικ. Ι)**

Η σέγα αυτή είναι εξοπλισμένη με τρεις λειτουργίες κοπής, δύο παλινδρομικές και μια ευθεία. Η παλινδρομική κίνηση διαθέτει μια πιο επιθετική κίνηση λάμας και είναι σχεδιασμένη για κοπή σε μαλακά υλικά όπως ξύλο ή πλαστικό. Η παλινδρομική κίνηση παρέχει ταχύτερη κοπή, αλλά με λιγότερο λεία κοπή κατά μήκος του υλικού. Στην παλινδρομική κίνηση η λάμα κινείται προς τα εμπρός κατά τη διαδρομή κοπής επιπρόσθετα της κίνησης πάνω και κάτω.

**Προειδοποίηση!** Μέταλλο ή σκληρά ξύλα δεν πρέπει ποτέ να κόβονται με παλινδρομική κίνηση.

- ◆ Σπρώξτε το κουμπί λειτουργίας κοπής (6) μεταξύ των τριών θέσεων κοπής: 0, 1 και 2.
- ◆ Η θέση 0 είναι για ευθεία κοπή.
- ◆ Οι θέσεις 1 και 2 είναι για παλινδρομική κοπή.
- ◆ Η επιθετικότητα της κοπής αυξάνεται καθώς ο μοχλός ρυθμίζεται από το ένα έως το δύο, με το δύο να είναι η πιο επιθετική κοπή.

**Πριόνισμα**

- ◆ Πάντα να κρατάτε το εργαλείο και με τα δύο χέρια.
- ◆ Αφήστε τη λάμα να κινηθεί ελεύθερα για λίγα δευτερόλεπτα, προτού ξεκινήσετε την κοπή.
- ◆ Κατά την εκτέλεση της κοπής, εφαρμόζετε μόνο μικρή πίεση στο εργαλείο.
- ◆ Εάν είναι δυνατό, εργαστείτε με το πέλδο (5) να πιέζει επάνω στο προς επεξεργασία αντικείμενο. Κάτι τέτοιο βελτιώνει τον έλεγχο του εργαλείου και μειώνει τις δονήσεις, ενώ προστατεύει την πριονόλαμα από ζημιές.

**Συμβουλές για άριστη χρήση****Γενικά**

- ◆ Χρησιμοποιείτε μεγάλη ταχύτητα για το ξύλο, μέτρια ταχύτητα για το αλουμίνιο και το PVC και χαμηλή ταχύτητα για μέταλλα διαφορετικά από το αλουμίνιο.

**Πριόνισμα ελασμάτων**

Καθώς η πριονόλαμα κόβει κατά τη διαδρομή προς τα πάνω, μπορεί να επέλθει σχίσσιμο στην επιφάνεια κοντά στο πέλδο.

- ◆ Χρησιμοποιείτε μια πριονόλαμα με λεπτά δόντια.
- ◆ Πριονίζετε από την πίσω επιφάνεια του αντικειμένου υπό επεξεργασία.
- ◆ Για να ελαχιστοποιήσετε το σχίσσιμο, στερεώστε με το σφιγκτήρα ένα κομμάτι άχρηστου ξύλου ή κόντρα πλακέ και στις δύο πλευρές του αντικειμένου υπό επεξεργασία και πριονίστε ανάμεσα σε αυτό το σάντουιτς.

**Πριόνισμα μετάλλου**

Να ξέρετε ότι το πριόνισμα μετάλλου παίρνει πολύ παραπάνω χρόνο από το πριόνισμα ξύλου.

- ◆ Χρησιμοποιείτε μια πριονόλαμα κατάλληλη για το πριόνισμα μετάλλου. Χρησιμοποιείτε μια πριονόλαμα με λεπτά δόντια για σιδηρούχα μέταλλα και μια πιο χοντρή πριονόλαμα για μη σιδηρούχα μέταλλα.
- ◆ Όταν κόβετε λεπτά μεταλλικά ελάσματα, στερεώστε με το σφιγκτήρα ένα κομμάτι άχρηστου ξύλου στην πίσω επιφάνεια του αντικειμένου υπό επεξεργασία και κόψτε ανάμεσα σε αυτό το σάντουιτς.
- ◆ Απλώστε ένα λεπτό στρώμα λαδιού κατά μήκος της γραμμής που σκοπεύετε να κόψετε.

**Αξεσουάρ**

Η απόδοση του εργαλείου σας εξαρτάται από τα αξεσουάρ που χρησιμοποιούνται. Τα αξεσουάρ της Stanley Fat Max έχουν κατασκευαστεί μηχανικά με πρότυπα υψηλής ποιότητας και είναι σχεδιασμένα για να ενισχύουν την απόδοση του εργαλείου σας. Χρησιμοποιώντας αυτά τα αξεσουάρ θα λάβετε τη μέγιστη απόδοση από το εργαλείο σας.

Το εργαλείο αυτό είναι συμβατό με τις πριονόλαμες με στέλεχος σχήματος U και T.

**Συντήρηση**

Αυτό το εργαλείο έχει σχεδιαστεί έτσι ώστε να λειτουργεί για μεγάλο χρονικό διάστημα με την ελάχιστη δυνατή συντήρηση. Η αδιάλειπτη και ικανοποιητική λειτουργία εξαρτάται από τη σωστή φροντίδα του εργαλείου και τον τακτικό καθαρισμό του.

**Προειδοποίηση!** Πριν από κάθε εργασία συντήρησης πρέπει να θέτετε το εργαλείο εκτός λειτουργίας και να το βγάξετε από την πρίζα.

- ◆ Να καθαρίζετε τακτικά τις εγκοπές εξαιρισμού του εργαλείου και του φορτιστή με μια μαλακή βούρτσα ή με ένα στεγνό πανί.
- ◆ Να καθαρίζετε τακτικά το περίβλημα του μοτέρ με υγρό πανί. Μη χρησιμοποιείτε λειαντικά καθαριστικά ή υγρά καθαρισμού που περιέχουν διαλυτικά.
- ◆ Από καιρό σε καιρό λιπάνετε με μια σταγόνα λάδι τον αξόνισκο του ράουλου της βάσης λάμας.

## Αντικατάσταση του ρευματολήπτη (H.B. & Ιρλανδία μόνο)

Αν χρειαστεί να εγκαταστήσετε έναν καινούριο ρευματολήπτη (φίς):

- ◆ Απορρίψτε με ασφαλή τρόπο το παλιό φίς.
- ◆ Συνδέστε τον καφέ αγωγό στον ηλεκτροφόρο ακροδέκτη του νέου ρευματολήπτη.
- ◆ Συνδέστε τον μπλε αγωγό στον ουδέτερο ακροδέκτη.

**Προειδοποίηση!** Δεν χρειάζεται καμία σύνδεση στον ακροδέκτη γείωσης. Ακολουθήστε τις οδηγίες τοποθέτησης που παρέχονται με τους καλής ποιότητας ρευματολήπτες (φίς). Προτεινόμενη ασφάλεια τήξης: 5 A.

## Προστασία του περιβάλλοντος



Επιλεκτική περισυλλογή. Αυτό το προϊόν δεν πρέπει να απορρίπτεται μαζί με τα κοινά οικιακά απορρίμματα.

Εάν κάποια μέρα διαπιστώσετε ότι το προϊόν σας Stanley Fat Max χρειάζεται αντικατάσταση ή ότι δεν το χρειάζεστε άλλο, μην το απορρίψετε μαζί με τα κοινά οικιακά απορρίμματα αλλά διαθέστε αυτό το προϊόν για ξεχωριστή περισυλλογή.



Η ξεχωριστή περισυλλογή των μεταχειρισμένων προϊόντων και των υλικών συσκευασίας επιτρέπει την ανακύκλωση και επαναχρησιμοποίηση των υλικών.

Με την επαναχρησιμοποίηση των ανακυκλωμένων υλικών αποτρέπεται η μόλυνση του περιβάλλοντος και μειώνεται η ζήτηση πρώτων υλών.

Οι κανονισμοί που ισχύουν στην περιοχή σας ενδέχεται να προβλέπουν την ξεχωριστή περισυλλογή των ηλεκτρικών συσκευών που προέρχονται από νοικοκυριά σε δημοτικές εγκαταστάσεις ή από τον έμπορο όταν αγοράσετε ένα καινούριο προϊόν.

Η Stanley Europe δίνει τη δυνατότητα ανακύκλωσης των προϊόντων της Stanley Fat Max που έχουν συμπληρώσει τη διάρκεια ζωής τους. Για να χρησιμοποιήσετε αυτήν την υπηρεσία, επιστρέψτε το προϊόν σας σε οποιοδήποτε εξουσιοδοτημένο κέντρο επισκευών, όπου θα το παραλάβουν εκ μέρους μας.

Ενημερωθείτε για το πλησιέστερο εξουσιοδοτημένο κέντρο επισκευών της περιοχής σας, επικοινωνώντας με τα γραφεία της Stanley Europe στη διεύθυνση που αναγράφεται στο εγχειρίδιο. Επίσης, μια λίστα με τα εξουσιοδοτημένα κέντρα επισκευών της Stanley Europe και πλήρεις λεπτομέρειες για τις υπηρεσίες που παρέχονται μετά την πώληση καθώς και στοιχεία επικοινωνίας υπάρχουν στο Διαδίκτυο, στη διεύθυνση: [www.2helpU.com](http://www.2helpU.com)

## Μπαταρίες



Οι μπαταρίες Stanley Fat Max μπορούν να επαναφορτιστούν πολλές φορές. Στο τέλος της ωφέλιμης ζωής τους, απορρίψτε τις μπαταρίες με τη δέουσα φροντίδα για το περιβάλλον μας:

- ◆ Χρησιμοποιήστε το εργαλείο μέχρι να αδειάσει εντελώς η μπαταρία. Στη συνέχεια, αφαιρέστε την από το εργαλείο.
- ◆ Οι μπαταρίες NiCd, NiMH και Li-Ion είναι ανακυκλώσιμες. Παραδώστε τις σε οποιοδήποτε εξουσιοδοτημένο αντιπρόσωπο επισκευών ή στον πλησιέστερο σταθμό ανακύκλωσης της περιοχής σας.

## Τεχνικά χαρακτηριστικά

		FMC650 (H1)
Τάση	$V_{dc}$	18
Ταχύτητα χωρίς φορτίο	$ελάχισ^{-1}$	0 - 2500
Μήκος διαδρομής	mm	19
Μέγιστο βάθος κοπής		
Εύλο	mm	55
Χάλυβας	mm	8
Αλουμίνιο	mm	20
Βάρος	kg	2,62

		Τύπ. 905765** TYP 1
Τάση εισόδου	$V_{AC}$	220-240
Τάση εξόδου	$V_{DC}$	20 (Μέγ.)
Ρεύμα	A	2
Χρόνος φόρτισης κατά προσέγγιση	λεπτά	120

		FMC688L
Τάση	$V_{DC}$	18
Χωρητικότητα	Ah	4.0
Τύπος		Ιόντων λιθίου

$L_{PA}$ (ηχητική πίεση) 84.5 dB(A), Αβεβαιότητα (K) 3 dB(A)
$L_{WA}$ (ηχητική ισχύς) 95.5 dB(A), αβεβαιότητα (K) 3 dB(A)
Συνολικές τιμές δόνησης (διανυσματικό άθροισμα τριών αξόνων) κατά EN 60745:
Κοπή φύλλων ( $a_{h,v}$ ) 6 $m/s^2$ , αβεβαιότητα (K) 1.5 $m/s^2$
Κοπή μεταλλικών ελασμάτων ( $a_{h,M}$ ) 4.3 $m/s^2$ , αβεβαιότητα (K) 1.5 $m/s^2$

## Δήλωση συμμόρφωσης ΕΚ

ΟΔΗΓΙΑ ΠΕΡΙ ΜΗΧΑΝΗΜΑΤΩΝ



Σέγα χωρίς καλώδιο - FMC650

Η Stanley Europe δηλώνει ότι αυτά τα προϊόντα που περιγράφονται στα "τεχνικά χαρακτηριστικά" συμμορφώνονται με:

2006/42/ΕΚ, EN 60745-1, EN 60745-2-11

Αυτά τα προϊόντα συμμορφώνονται επίσης με την οδηγία 2004/108/ΕΚ και 2011/65/ΕΕ. Για περισσότερες πληροφορίες, παρακαλείσθε να επικοινωνήσετε με την Stanley Europe στην παρακάτω διεύθυνση ή να ανατρέξετε στο πίσω μέρος του εγχειριδίου.

Ο κάτωθι υπογεγραμμένος είναι υπεύθυνος για την κατάρτιση του τεχνικού φακέλου και δηλώνει τα παρόντα εκ μέρους της

Stanley Europe.

Kevin Hewitt

Αντιπρόεδρος παγκόσμιας μηχανικής  
Stanley Europe, Egide Walschaertsstraat 14-18,  
2800 Mechelen, Belgium

23/12/2013

## Εγγύηση

Η Stanley Europe είναι σίγουρη για την ποιότητα των προϊόντων της και παρέχει μια εξαιρετική εγγύηση για τους επαγγελματίες χρήστες του προϊόντος. Αυτή η δήλωση εγγύησης είναι επιπρόσθετη στα και δεν επηρεάζει με κανένα τρόπο τα συμβατικά δικαιώματά σας ως ιδιώτη μη επαγγελματία χρήστη. Η εγγύηση ισχύει εντός της επικράτειας των Κρατών Μελών της Ευρωπαϊκής Ένωσης και της Ευρωπαϊκής Ζώνης Ελευθέρων Συναλλαγών.

## ΠΛΗΡΗΣ ΕΓΓΥΗΣΗ ΕΝΟΣ ΕΤΟΥΣ

Εάν το προϊόν σας Stanley Fat Max καταστεί ελαττωματικό λόγω ελαττωματικών υλικών ή εργασίας εντός 12 μηνών από την ημερομηνία αγοράς, η Stanley Ευρώπη αναλαμβάνει να αντικαταστήσει όλα τα ελαττωματικά μέρη δωρεάν ή – κατά την κρίση μας – να αντικαταστήσει τη μονάδα χωρίς χρέωση, υπό τον όρο ότι:

- ◆ Το προϊόν δεν έχει υποστεί κακομεταχείριση και έχει χρησιμοποιηθεί σύμφωνα με το εγχειρίδιο οδηγιών.
- ◆ Το προϊόν έχει υποβληθεί σε φυσιολογική φθορά.
- ◆ Δεν έχει γίνει προσπάθεια επισκευής από μη εξουσιοδοτημένα άτομα.
- ◆ Υπάρχει απόδειξη αγοράς.
- ◆ Το προϊόν Stanley Fat Max επιστρέφεται πλήρες, με όλα τα αυθεντικά εξαρτήματα

Εάν επιθυμείτε να γεμίσετε αξιώσεις, επικοινωνήστε με τον πωλητή σας ή ελέγξτε την τοποθεσία του πλησιέστερου εξουσιοδοτημένου κέντρου επισκευών Stanley Fat Max στον κατάλογο της Stanley Fat Max ή επικοινωνήστε με το τοπικό σας γραφείο της Stanley στη διεύθυνση που αναγράφεται στο παρόν εγχειρίδιο. Εναλλακτικά, μια λίστα με τα εξουσιοδοτημένα κέντρα επισκευών της Stanley Fat Max και πλήρεις λεπτομέρειες για τις υπηρεσίες που παρέχονται μετά την πώληση διατίθενται στο Διαδίκτυο, στη διεύθυνση: [www.stanley.eu/3](http://www.stanley.eu/3)



<b>België/Belgique</b>	Stanley Fat Max E. Walschaertstraat 14-16 2800 Mechelen Belgium	De. Tel. +32 70 220 065 Fr. Tel. +32 70 220 066 Fax +32 15 473 799 www.stanleytools.eu Enduser.be@SBDinc.com
<b>Danmark</b>	Stanley Fat Max Farveland 1B 2600 Glostrup	Tel. 70 20 15 10 Fax 70 22 49 10 www.stanleyworks.dk
<b>Deutschland</b>	Stanley Fat Max Richard Klinger Str. 11, D - 65510 Idstein	Tel. 06126 21-1 Fax 06126 21-2770
<b>Ελλάδα</b>	Stanley Fat Max. Σπράβουος 7 & Λεωφ. Βουλιαγμένης 159 Γλυφάδα 166 74 - Αθήνα	Τηλ. +30 210 8981-616 Φαξ +30 210 8983-285 www.stanleyworks.gr
<b>España</b>	Stanley Fat Max. Parc de Negocis "Mas Blau" Edificio Muntadas, c/Bergadá, 1, Of. A6 08820 El Prat de Llobregat (Barcelona)	Tel. 934 797 400 Fax 934 797 419 respuesta.postventa@sbdinc.com www.stanleyworks.es
<b>France</b>	Stanley Fat Max 5 allée des Hêtres B.P. 30084 69579 Limonest Cédex	Tel. 04 72 20 39 20 Fax 04 72 20 39 00 www.stanleyoutillage.fr
<b>Helvetia</b>	Stanley Fat Max In der Luberzen 40 8902 Urdorf	Tel. 01 730 67 47 Fax 01 730 70 67 www.stanleyworks.de
<b>Italia</b>	Stanley Fat Max Energypark–Building 03 sud, Via Monza 7/A 20871 Vimercate (MB)	Tel. 039-9590200 Fax 039-9590313 www.stanley.it
<b>Nederland</b>	Stanley Fat Max Joulehof 12, 4600 RG Bergen op Zoom	Tel. +31 164 283 065 Fax +31 164 283 200 Enduser.NL@SBDinc.com
<b>Norge</b>	Stanley Fat Max Postboks 4613, Nydalen 0405 Oslo	Tlf. 45 25 13 00 Fax 45 25 08 00
<b>Österreich</b>	Stanley Fat Max Oberlaaerstraße 248, A-1230 Wien	Tel. 01 66116-0 Fax 01 66116-614 www.stanleyworks.de
<b>Portugal</b>	Stanley Fat Max Centro de Escritórios de Sintra Avenida Almirante Gago Coutinho, 132/134, Edifício 142710-418 Sintra 2710-418 Lisboa	Tel. 214667500 Fax 214667575 resposta.posvenda@sbdinc.com
<b>Suomi</b>	Stanley Fat Max Tekniikantie 12, 02150 Espoo	Puh. 010 400 430 Faksi 0800 411 340 www.stanleyworks.fi
<b>Sverige</b>	Stanley Fat Max Box 94, 431 22 Mölndal	Tel. 031-68 61 00 Fax 031-68 60 08
<b>Türkiye</b>	Stanley Fat Max KALE Hırdavat ve Makina A.Ş. Defterdar Mah. Savaklar Cad. No:15 Edirnekapı / Eyüp / İSTANBUL 34050	Puh. 0212 533 52 55 Faks 0212 533 10 05 www.stanleyworks.fi
<b>United Kingdom</b>	Stanley Fat Max 210 Bath Road Slough, Berkshire SL1 3YD	Tel. +44 (0)1753 511234 Fax +44 (0)1753 551155 www.stanleytools.co.uk
<b>Middle East &amp; Africa</b>	Stanley Fat Max P.O.Box - 17164 Jebel Ali (South Zone), Dubai, UAE	Tel. +971 4 8127400 Fax +971 4 8127036 www.stanleyworks.ae