

DEWALT®

XR LI-ION

www.DEWALT.com

DCMASST1

Fig. A

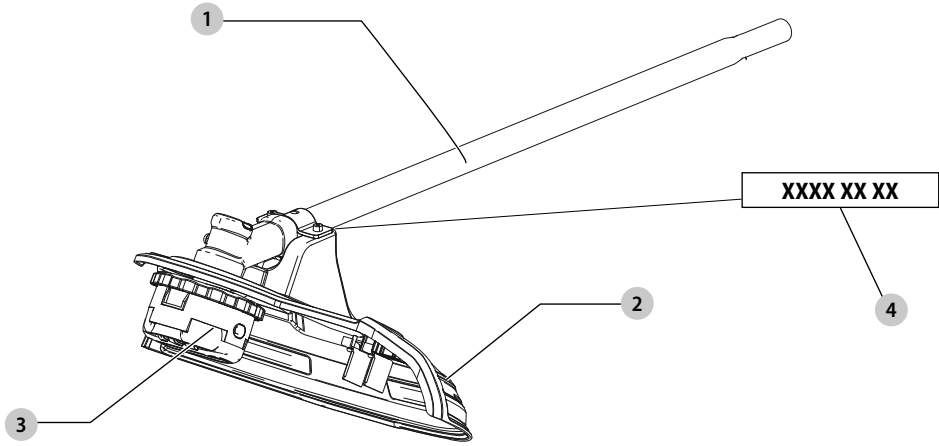


Fig. B

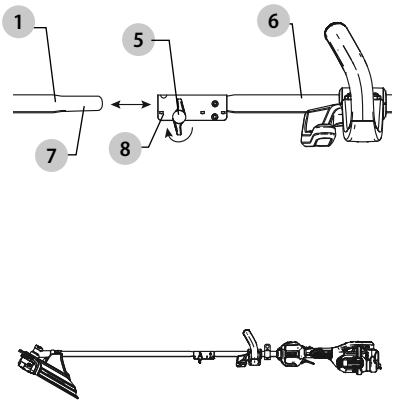


Fig. C

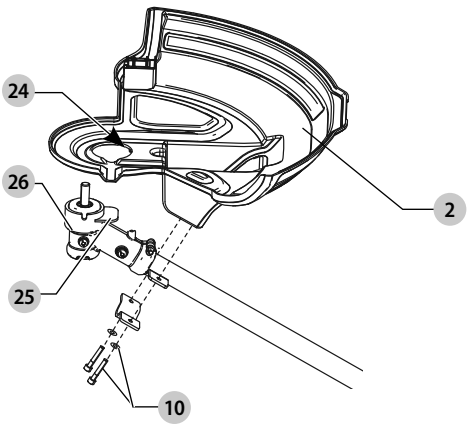


Fig. D

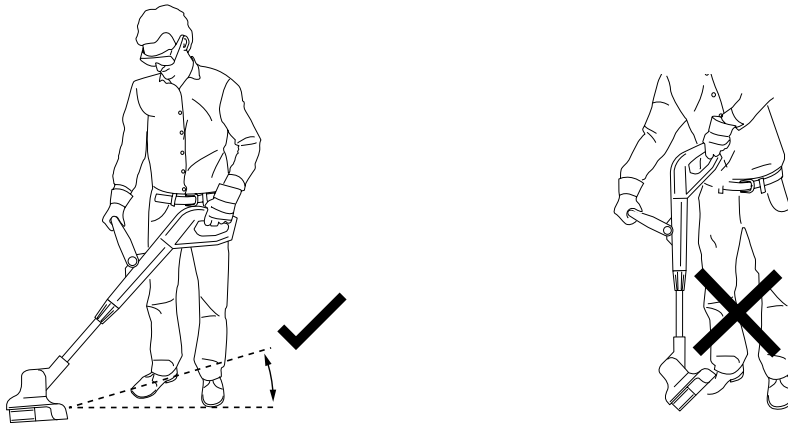


Fig. E

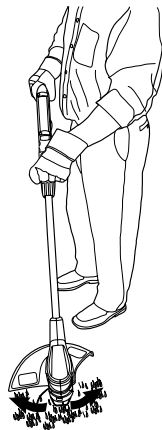


Fig. F



Fig. G

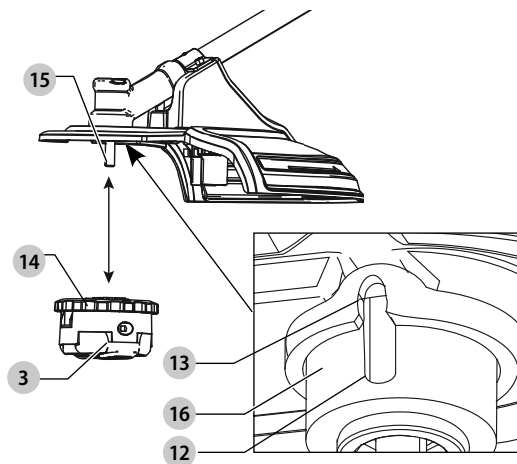


Fig. H

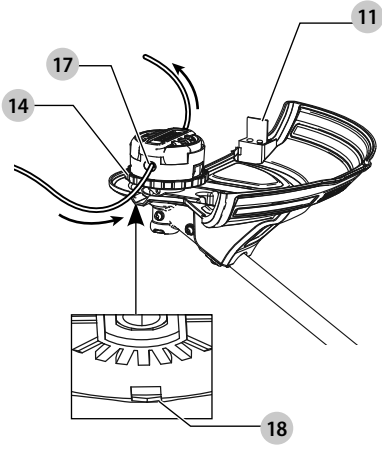


Fig. I

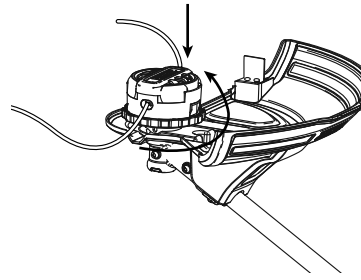
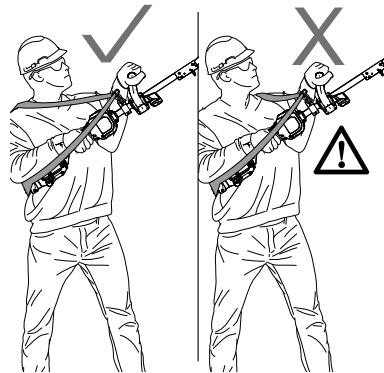
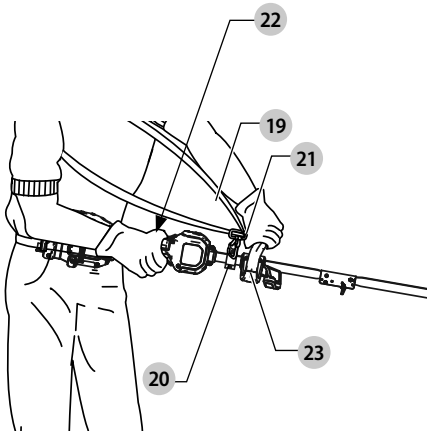


Fig. J



STRING TRIMMER

DCMASST1

Congratulations!

You have chosen a DeWALT tool. Years of experience, thorough product development and innovation make DeWALT one of the most reliable partners for professional power tool users.

Technical Data

DCMASST1		
Voltage	V _{DC}	54
Low speed	/min	4400
High speed	/min	5400
Cutting Swath Size	mm	380
Weight	kg	2.1

Noise values and vibration values (triax vector sum) according to EN50636-2-91

L _{PA} (emission sound pressure level)	dB(A)	82
K (uncertainty of sound pressure level)	dB(A)	2.5
L _{WA} (sound power level)	dB(A)	92
K (uncertainty for the given sound level)	dB(A)	2.1
Vibration emission value a _H =	m/s ²	2.5
Uncertainty K =	m/s ²	1.5

The vibration and/or noise emission level given in this information sheet has been measured in accordance with a standardised test given in EN50636-2-91 and may be used to compare one tool with another. It may be used for a preliminary assessment of exposure.



WARNING: The declared vibration and/or noise emission level represents the main applications of the tool. However if the tool is used for different applications, with different accessories or poorly maintained, the vibration and/or noise emission may differ. This may significantly increase the exposure level over the total working period.

An estimation of the level of exposure to vibration and/or noise should also take into account the times when the tool is switched off or when it is running but not actually doing the job. This may significantly reduce the exposure level over the total working period.

Identify additional safety measures to protect the operator from the effects of vibration and/or noise such as: maintain the tool and the accessories, keep the hands warm (relevant for vibration), organisation of work patterns.

EC-Declaration of Conformity

Machinery Directive



String Trimmer

DCMASST1

DeWALT declares that these products described under **Technical Data** are in compliance with:

2006/42/EC, EN60335-1:2012 + A11:2014 + A13:2017 + A1:2019 + A14:2019 + A2:2019, EN50636-2-91:2014

2000/14/EC, Lawn Trimmer, L ≤ 50 cm, Annex VI

DEKRA Certification B.V.

Meander 1051 / P.O. box 5185

6525 MJ ARNHEM / 6802 ED

ARNHEM, Netherlands

Notified Body ID No.: 0344

Level of acoustic power according to 2000/14/EC

(Article 12, Annex III, L ≤ 50 cm):

L_{PA} (measured sound pressure) 82 dB(A)

uncertainty (K) = 2.5 dB (A)

L_{WA} (guaranteed sound power) 96 dB(A)

These products also comply with Directive 2014/30/EU and 2011/65/EU. For more information, please contact DeWALT at the following address or refer to the back of the manual.

The undersigned is responsible for compilation of the technical file and makes this declaration on behalf of DeWALT.

Markus Rompel

Vice-President Engineering, PTE-Europe

DeWALT, Richard-Klinger-Straße 11,

65510, Idstein, Germany

31.12.2020



WARNING: To reduce the risk of injury, read the instruction manual.

Definitions: Safety Guidelines


The definitions below describe the level of severity for each signal word. Please read the manual and pay attention to these symbols.




DANGER: Indicates an imminently hazardous situation which, if not avoided, **will** result in **death or serious injury**.



WARNING: Indicates a potentially hazardous situation which, if not avoided, **could** result in **death or serious injury**.


 **CAUTION:** Indicates a potentially hazardous situation which, if not avoided, **may** result in **minor or moderate injury**.


NOTICE: Indicates a practice **not related to personal injury** which, if not avoided, **may** result in **property damage**.

 Denotes risk of electric shock.

 Denotes risk of fire.

SAFETY INSTRUCTIONS

 **WARNING:** When using mains-powered appliances, basic safety precautions, including the following, should always be followed to reduce the risk of fire, electric shock, personal injury and material damage.

 **WARNING:** When using the machine the safety rules must be followed. For your own safety and bystanders please read these instructions before operating the machine. Please keep the instructions safe for later use.

- Read all of this manual carefully before operating the appliance.
- The intended use is described in this manual. The use of any accessory or attachment or the performance of any operation with this appliance other than those recommended in this instruction manual may present a risk of personal injury.
- Retain this manual for future reference.

IMPORTANT

**READ CAREFULLY BEFORE USE
KEEP FOR FUTURE REFERENCE**

SAFE OPERATING PRACTICES

Training

- a) **Read the instructions carefully.** Be familiar with the controls and the correct use of the machine.
- b) **Never allow children or people unfamiliar with these instructions to use the machine.** Local regulations can restrict the age of the operator.
- c) Keep in mind that the operator or user is responsible for accidents or hazards occurring to other people or their property.

Preparation

- a) Before use, always visually inspect the machine for damaged, missing or misplaced guards or shields.
- b) Never operate the machine while people, especially children, or pets are nearby.

Operation


- a) Wear eye protection and stout shoes at all times while operating the machine.
- b) Avoid using the machine in bad weather conditions especially when there is a risk of lightning.
- c) Use the machine only in daylight or good artificial light.
- d) Never operate the machine with damaged guards or shields or without guards or shields in place.

- e) Switch on the motor only when the hands and feet are away from the cutting means.
- f) Always disconnect the machine from the power supply (i.e. remove the plug from the mains, remove the disabling device or removable battery)
 - whenever the machine is left unattended;
 - before clearing a blockage;
 - before checking, cleaning or working on the machine;
 - after striking a foreign object;
 - whenever the machine starts vibrating abnormally.
- g) Take care against injury to feet and hands from the cutting means.
- h) Always ensure that the ventilation openings are kept clear of debris.
- i) Remove any objects that may cause kickback, such as branches and rocks.
- j) Check for loose fasteners and damaged parts.
- k) Hold the tool using only the designated gripping surfaces: **the powerhead housing and the auxiliary handle (see Fig. D)**. Do not use the pole as a gripping surface.

Maintenance and Storage

- a) **Disconnect the machine from the power supply (i.e. remove the plug from the mains, remove the disabling device or removable battery) before carrying out maintenance or cleaning work.**
- b) Use only the manufacturer's recommended replacement parts and accessories.
- c) **Inspect and maintain the machine regularly.** Have the machine repaired only by an authorized repairer.
- d) When not in use, store the machine out of the reach of children.
- e) **Clean before storing, including the use of guards.**

ADDITIONAL SAFETY INSTRUCTIONS FOR GRASS TRIMMERS

 **WARNING:** Cutting elements continue to rotate after the motor is switched off.

- Wear long trousers to protect your legs.
- Before using the appliance, check that your cutting path is free from sticks, stones, wire and any other obstacles.
- Only use the appliance in the upright position, with the cutting line near the ground. Never switch the appliance on in any other position.
- Move slowly when using the appliance. Be aware that freshly cut grass is damp and slippery.
- Do not work on steep slopes. Work across the face of slopes, not up and down.
- Never cross gravel paths or roads while the appliance is running.
- Never touch the cutting line while the appliance is running.
- Do not put the appliance down until the cutting line has come to a complete standstill.

ENGLISH

- Use only the appropriate type of cutting line. Never use metal cutting line or fishing line.
 - Keep hands and feet away from the cutting line and blade at all times, especially when switching on the motor.
 - Before using the appliance and after any impact, check for signs of wear or damage and repair as necessary.
 - Take care against injury from any device fitted for trimming the filament line length. After extending new cutter line always return the machine to its normal operating position before switching on.
 - Close supervision is necessary when the appliance is used near children.
 - This appliance is not intended for use by young or infirm persons without supervision.
 - This appliance is not to be used as a toy.
 - Use in a dry location only. Do not allow the appliance to become wet.
 - Do not immerse the appliance in water.
 - Do not open the body casing. There are not user-serviceable parts inside
 - Do not operate the appliance in explosive atmospheres, such as in the presence of flammable liquids, gases or dust.
 - When the appliance is stored or transported in a vehicle it should be placed in the boot or restrained to prevent movement following sudden changes in speed or direction.
 - When not in use, the appliance should be stored in a dry, well ventilated place out of reach of children.
 - Children should not have access to stored appliances.
- Health hazards caused by breathing dust developed when using your tool (example: working with wood, especially oak, beech and MDF.)
 - Risk of burns due to accessories becoming hot during operation.

SAVE THESE INSTRUCTIONS

Package Contents

The package contains:

- 1 String trimmer
 - 1 Guard
 - 2 Guard screws
 - 2 Washers
 - 1 Instruction manual
- Check for damage to the tool, parts or accessories which may have occurred during transport.
 - Take the time to thoroughly read and understand this manual prior to operation.

Markings on Tool

The following pictograms are shown on the tool:



Read instruction manual before use.



Wear eye protection.



Wear ear protection.



No hands



Hot surface. Do not touch.



Do not expose the tool to rain or high humidity or leave outdoors while it is raining.



Switch the tool off. Before performing any maintenance on the tool, remove the battery from the tool.



Keep bystanders away.



Directive 2000/14/EC guaranteed sound power.

Safety of Others

- This appliance is not intended for use by persons (including children) with reduced physical, sensory or mental capabilities, or lack of experience and knowledge, unless they have been given supervision or instruction concerning use of the appliance by a person responsible for their safety.
- Children must be supervised to ensure that they do not play with the appliance.

Residual Risks

To ensure you have good footing on slopes, do not overreach. Keep your balance at all times. Always walk, do not run.

Additional residual risks may arise when using the tool which may not be included in the enclosed safety warnings. These risks can arise from misuse, prolonged use etc.

Even with the application of the relevant safety regulations and the implementation of safety devices, certain residual risks can not be avoided. These include:

- Injuries caused by touching any rotating/moving parts.
- Injuries caused when changing any parts, blades or accessories.
- Injuries caused by prolonged use of a tool. When using any tool for prolonged periods ensure you take regular breaks.
- Impairment of hearing.

Date Code Position (Fig. A)


The date code **4**, which also includes the year of manufacture, is printed into the housing.

Example:

2020 XX XX

Year and week of Manufacture

Description (Fig. A)

 **WARNING:** Never modify the tool. Damage or personal injury could result.

- 1 String trimmer pole
- 2 Guard
- 3 Spool housing

Intended Use


Your string trimmer attachment has been designed to be used with your DCMAS5713 powerhead. This string trimmer has been designed for professional trimming applications.


DO NOT use under wet conditions or in the presence of flammable liquids or gases.

DO NOT let children come into contact with the tool. Supervision is required when inexperienced operators use this tool.

- **Young children and the infirm.** This appliance is not intended for use by young children or infirm persons without supervision.
- This product is not intended for use by persons (including children) suffering from diminished physical, sensory or mental abilities; lack of experience, knowledge or skills unless they are supervised by a person responsible for their safety. Children should never be left alone with this product.


ASSEMBLY AND ADJUSTMENTS

 **WARNING:** To reduce the risk of serious personal injury, turn tool off and disconnect battery pack before making any adjustments or removing/installing attachments or accessories. An accidental start-up can cause injury.


 **WARNING:** Use only DeWALT battery packs and chargers.

Powerhead (Fig. B)

(DCMAS5713 sold separately)

 **WARNING:** To reduce risk of injury:

- Before any use, be sure everyone using this unit reads and understands all manufacturer's safety instructions and other information contained in manufacturer's manual.
- Never apply power without an attachment being properly mounted to the powerhead.

 **WARNING:** To reduce the risk of serious personal injury, turn unit off and remove the battery pack before making any adjustments or removing/installing attachments or accessories, or prior to cleaning. An accidental start-up can cause injury.


Your string trimmer is designed such that the powerhead can separate from the string trimmer attachment by turning the knob **5** counterclockwise and gently pulling them apart by their poles **1**, **6**.

This should only be done with the power switch off and the battery pack removed. Inside the upper powerhead pole **6** is a mechanical coupling that will spin if the powerhead is turned on. This coupling can cause severe injury if contacted while the powerhead is operating.

NOTE: A double shoulder harness is required if the mass of the tool and battery pack exceed 7.5 kg.

Assembling the String Trimmer Attachment to the Powerhead (Fig. A, B)

1. When installing the string trimmer attachment **1** into the upper powerhead pole **6**, align the latching button **7** with the hole **8** as shown in Fig. B.
2. Turn the knob **5** clockwise to lock attachment to upper powerhead pole. When properly assembled, it should look like Fig. B. If it does not, do not use, disassemble and re-align the pole saw attachment **1** so the latching button **7** engages the hole **8**.


 **WARNING:** Always check to make sure that the knobs are completely secured in place. If the knobs are not completely secured it could result in the assemblies becoming disconnected creating a hazardous condition.


Assembling the Guard (Fig. C)

1. Slide the guard **2** into place as shown in Fig. C.
2. Secure with the guard screws and washers **10** and washers, tighten securely.

OPERATION


Instructions for Use


 **WARNING:** Always observe the safety instructions and applicable regulations.


 **WARNING:** To reduce the risk of serious personal injury, turn tool off and disconnect battery pack before making any adjustments or removing/installing attachments or accessories. An accidental start-up can cause injury.

Proper Hand Position (Fig. J)

 **WARNING:** To reduce the risk of serious personal injury, ALWAYS use proper hand position as shown.

 **WARNING:** To reduce the risk of serious personal injury, ALWAYS hold securely in anticipation of a sudden reaction.

 **WARNING:** Hold the tool using only the designated gripping surfaces: The powerhead handle and the auxiliary handle.

 **WARNING:** Do not use the pole as a gripping surface.

Proper hand position requires one hand on the powerhead handle **22** and one hand on the auxiliary handle **23**.

Trimming (Fig. D–F)

With the string trimmer on, angle it and swing side to side as shown in Fig. D, E.

Maintain a minimum distance of 610 mm between the guard and your feet as shown in Fig. F.

WARNING: Keep the rotating string roughly parallel with the ground (tilted no more than 30°). This trimmer is not an edger. DO NOT TILT the trimmer so that the string is spinning near a right angle to the ground. Flying debris can cause serious injury.

Bump Feed Trimmer Line Feed

Your trimmer uses 2.0 mm diameter nylon line. Cutting line will wear faster and require more feeding if the cutting is done along sidewalks or other abrasive surfaces or heavier weeds are being cut.

As you use the trimmer, the string will get shorter due to wear. Gently bump the trimmer on the ground while running at normal speed and the line will feed.

NOTE: Extending nylon line beyond the 380 mm swath will negatively affect performance, runtime, and the life of the trimmer due to potential of damaging motor. Doing so may void the warranty.

Helpful Cutting Tips

- Use the tip of the string to do the cutting; do not force string head into uncut grass.
- Wire and picket fences cause extra string wear, even breakage. Stone and brick walls, curbs, and wood may wear string rapidly.
- Do not allow spool cap to drag on ground or other surfaces.
- In long growth, cut from the top down and do not exceed 380 mm high.
- Keep trimmer tilted toward the area being cut; this is the best cutting area.
- The trimmer cuts when passing the unit from the left to right. This will avoid throwing debris at the operator.
- Avoid trees and shrubs. Tree bark, wood moldings, siding, and fence posts can easily be damaged by the string.

MAINTENANCE

Your power tool has been designed to operate over a long period of time with a minimum of maintenance. Continuous satisfactory operation depends upon proper tool care and regular cleaning.

WARNING: To reduce the risk of serious personal injury, turn tool off and disconnect battery pack before making any adjustments or removing/installing attachments or accessories. An accidental start-up can cause injury.

The charger and battery pack are not serviceable.

Maintenance Treatments (Fig. H)

- Your trimmer line can dry out over time. To keep your line in top condition, store spare line in a plastic, sealable bag with a tablespoon of water.

- Plastic parts may be cleaned by using a mild soap and a damp rag.
- The line cutter **11** on the edge of the guard can dull over time. It is recommended you periodically touch-up the sharpness of the blade with a file.



Lubrication

Your power tool requires no additional lubrication.



Cleaning

WARNING: Blow dirt and dust out of the main housing with dry air as often as dirt is seen collecting in and around the air vents. Wear approved eye protection and approved dust mask when performing this procedure.

WARNING: Never use solvents or other harsh chemicals for cleaning the non-metallic parts of the tool. These chemicals may weaken the materials used in these parts. Use a cloth dampened only with water and mild soap. Never let any liquid get inside the tool; never immerse any part of the tool into a liquid.

Optional Accessories

WARNING: Since accessories, other than those offered by DEWALT, have not been tested with this product, use of such accessories with this tool could be hazardous. To reduce the risk of injury, only DEWALT recommended accessories should be used with this product.

Consult your dealer for further information on the appropriate accessories.

WARNING: To reduce the risk of serious personal injury, turn appliance off and remove battery before making any adjustments or removing/installing attachments or accessories.

WARNING: The use of any accessory not recommended by DEWALT for use with this appliance could be hazardous.

WARNING: Do not use any blades, or any accessory or attachment other than those recommended by DEWALT on this trimmer. Serious injury or product damage may result.


CAUTION: Use only DEWALT replacement spools and line. All line must be spiral-shaped with smooth, round edges. Using any other manufacturer's line can reduce performance, damage the trimmer or cause personal injury.


Your trimmer uses 2.0 mm diameter line, however a 2.4 mm line may be used. Other sizes may degrade performance or cause damage to the trimmer. Other sizes may degrade performance or cause damage to the trimmer.


Replacing Spool Assembly (Fig. G)

1. Rotate the spool housing **3** until the hole **12** in the spindle plate aligns with notch **13** in the motor housing. Insert a screwdriver through the notch and into the hole, to prevent the spindle from turning.
2. Unscrew and remove the spool housing by turning the spool grip cover **14** clockwise.
NOTE: Do not try to remove the spool housing by turning the spool housing **3**.
3. Remove spindle plate **16** before installing a new spool. Remove any dirt and grass from the motor housing and spindle plate.
4. Install spindle plate **16** onto the spindle **15**, so the double D shaped retaining nut on the spindle sits inside the base of the spindle plate.
5. Align the spindle plate hole and notch, insert the screwdriver back into the hole and thread the new spool housing counterclockwise. Securely tighten the new spool housing onto the spindle **15**.

Reloading the Cutting Line (Fig. H, I)

 **WARNING:** To reduce the risk of serious personal injury, turn unit off and remove the battery pack before making any adjustments or removing/installing attachments or accessories, when replacing line, or prior to cleaning. An accidental start-up can cause injury.

 **CAUTION:** Use only DEWALT replacement spools and line. Using any other manufacturer's line can reduce performance, damage the trimmer or cause personal injury.
Your trimmer uses 2.0 mm diameter line that is spiral-shaped with smooth round edges. Do not use other size lines. This can degrade performance, cause damage to the unit or injury.


 **CAUTION:** To avoid appliance damage, if the cutting line protrudes beyond the trimming blade, cut it off so that it just reaches the blade.

Use only DEWALT replacement line.

1. Remove battery.
2. Cut a max of 6 m length of of 2.0 mm trimmer line.
3. Align spool housing eyelets **17** with the arrow **18** on the spool grip cover **14** as shown in Figure H.
4. Thread one end of the trimmer line through an eyelet. Guide the line through to the second eyelet and continue to pull the line through until there are equal lengths of string on each side of the spool housing.
5. Secure the spool cap from moving with one hand. Using your other hand, wind the string onto the spool by rotating the spool grip cover counterclockwise. Continue winding until 130 mm of string remain on each side of the spool housing as shown in Fig. I.

Replacing Guard With Extended Coverage Guard (Fig. A, C)

An extended coverage guard is available (sold separately) for extra coverage if desired. Use DEWALT replacement guard Part Number N905733.

 **WARNING:** Never operate appliance without guard firmly in place.

1. Remove the spool housing as described in the **Replacing Spool Assembly** section.
2. Remove the two guard screws **10** shown in Fig. C.
3. Lift the guard off at an angle as shown in Fig. C.
4. To attached a new guard, slide the tab **24** of the new guard under the lip **25** of the motor housing **26**, then lower the back of the guard into place as shown in Fig. A.
5. Replace and securely tighten the two guard screws **10**.
6. Replace the spool housing as described in the **Replacing Spool Assembly** section.

Attaching and Adjusting the Shoulder Strap (Fig. J)

 **WARNING:** The strap **19** should only be slung over one shoulder and not across the body. See Fig. J.

A shoulder strap is recommended for any tool with a total weight exceeding 6 kg. (Total weight includes the power head, attachment, and battery.) A shoulder strap is available at an additional cost from DEWALT, part number N502343. Attach the strap to the tool as shown in Fig. J and adjust for proper balance and support

1. Attach the strap mount.
2. Snap the shoulder strap latch **21** onto the strap mount **20** located on the unit, just in front of the ON/OFF trigger as shown in Fig. J. Adjust the strap so it fits over your shoulder and provides proper balance and support.

Protecting the Environment



Separate collection. Products and batteries marked with this symbol must not be disposed of with normal household waste.

Products and batteries contain materials that can be recovered or recycled reducing the demand for raw materials. Please recycle electrical products and batteries according to local provisions. Further information is available at www.2helpU.com.

Rechargeable Battery Pack

This long life battery pack must be recharged when it fails to produce sufficient power on jobs which were easily done before. At the end of its technical life, discard it with due care for our environment:

- Run the battery pack down completely, then remove it from the tool.
- Li-Ion cells are recyclable. Take them to your dealer or a local recycling station. The collected battery packs will be recycled or disposed of properly.

Belgique et Luxembourg België en Luxemburg	DeWALT – Belgium BVBA Egide Walschaertsstraat 16 2800 Mechelen	Tel: NL 32 15 47 37 63 Tel: FR 32 15 47 37 64 Fax: 32 15 47 37 99	www.dewalt.be enduser.BE@SBDInc.com
Danmark	DeWALT (Stanley Black&Decker AS) Roskildevej 22 2620 Albertslund	Tel: 70 20 15 10 Fax: 70 22 49 10	www.dewalt.dk kundeservice.dk@sbdinc.com
Deutschland	DeWALT Richard Klingner Str. 11 65510 Idstein	Tel: 06126-21-0 Fax: 06126-21-2770	www.dewalt.de infodfwge@sbdinc.com
Ελλάδα	DeWALT (Ελλάδα) Α.Ε. ΕΔΠΑ-ΓΡΑΦΕΙΑ : Στραβουρος 7 & Α. Βουλιαγμένης, Γλυφάδα 166 74, Αθήνα SERVICE : Ημερος Τόπος 2 (Χάνι Αδών) – 193 00 Ασπρόπυργος	Τηλ: 00302108981616 Φαξ: 00302108983570	www.dewalt.gr Greece.Service@sbdinc.com
España	DeWALT Ibérica, S.C.A. Parc de Negocios "Mas Blau" Edificio Muntadas, c/Bergadà, 1, Of. A6 08820 El Prat de Llobregat (Barcelona)	Tel: 934 797 400 Fax: 934 797 419	www.dewalt.es respuesta.postventa@sbdinc.com
France	DeWALT (Stanley Black & Decker France SAS) 62 Chemin de la Bruyère CS 60105, 69574 DARDILLY Cedex	Tel: 04 72 20 39 20 Fax: 04 72 20 39 00	www.dewalt.fr scuf@sbdinc.com
Schweiz Suisse Svizzera	DeWALT In der Luberzen 42 8902 Urdorf	Tel: 044 - 755 60 70 Fax: 044 - 730 70 67	www.dewalt.ch service@rofoag.ch
Ireland	DeWALT Building 4500, Kinsale Road Cork Airport Business Park Cork, Ireland	Tel: 00353-2781800 Fax: 01278 1811	www.dewalt.ie Sales.ireland@sbdinc.com
Italia	DeWALT via Energypark 6 20871 Vimercate (MB), IT	Tel: 800-014353 39 039-9590200 Fax: 39 039-9590311	www.dewalt.it
Nederlands	DeWALT Netherlands BVPostbus 83, 6120 AB BORN	Tel: 31 164 283 063 Fax: 31 164 283 200	www.dewalt.nl
Norge	DeWALT Postboks 4613 0405 Oslo, Norge	Tel: 45 25 13 00 Fax: 45 25 08 00	www.dewalt.no kundeservice.no@sbdinc.com
Österreich	DeWALT Werkzeug Vertriebsges m.b.H Oberlaaerstrasse 248, A-1230 Wien	Tel: 01 - 66116 - 0 Fax: 01 - 66116 - 614	www.dewalt.at service.austria@sbdinc.com
Portugal	DeWALT Ed. D Dirnis, Quina da Fonte Rua dos Malhoes 2 2A 2º Esq. Oeiras e S. Juliao da Barra, paço de Arcos e Caxias 2770 071 Paço de Arcos	Tel: +351 214667500 Fax: +351214667580	www.dewalt.pt resposta.posvenda@sbdinc.com
Suomi	DeWALT PL47 00521 Helsinki, Suomi	Puh: 010 400 4333 Faksi: 0800 411 340	www.dewalt.fi asiakaspalvelu.fi@sbdinc.com
Sverige	DeWALT BOX 94 43122 Mölndal Sverige	Tel: 031 68 61 60 Fax: 031 68 60 08	www.dewalt.se kundservice.se@sbdinc.com
Türkiye	Sanayi ve Ticaret Bakanlıği tebliğince kullanim ömrü 7 yıldır. Stanley Black & Decker Turkey Alet Üretim San. Tic. Ltd.Şti. AND Kozyatağı – İçerenköy Mah. Umut Sok. AND Ofis Sit. No: 10-12 / 82-83-84 Ataşehir/İstanbul, Türkiye	Tel: +90 216 665 2900 Faks: +90 216 665 2901	www.dewalt.com.tr support@dewalt.com.tr
United Kingdom	DeWALT, 270 Bath Road; Slough, Berks SL1 4DX	Tel: 01753-567055 Tel: 01753-572112	www.dewalt.co.uk emaservice@sbdinc.com
Australia	DeWALT 810 Whitehorse Road Box Hill VIC 3128 Australia	Tel: Aust 1800 338 002 Tel: NZ 0800 339 258	www.dewalt.com.au www.dewalt.co.nz
Middle East Africa	DeWALT P.O. Box - 17164, Jebel Ali Free Zone (South), Dubai, UAE	Tel: 971 4 812 7400 Fax: 971 4 2822765	www.dewalt.ae support@dewalt.ae