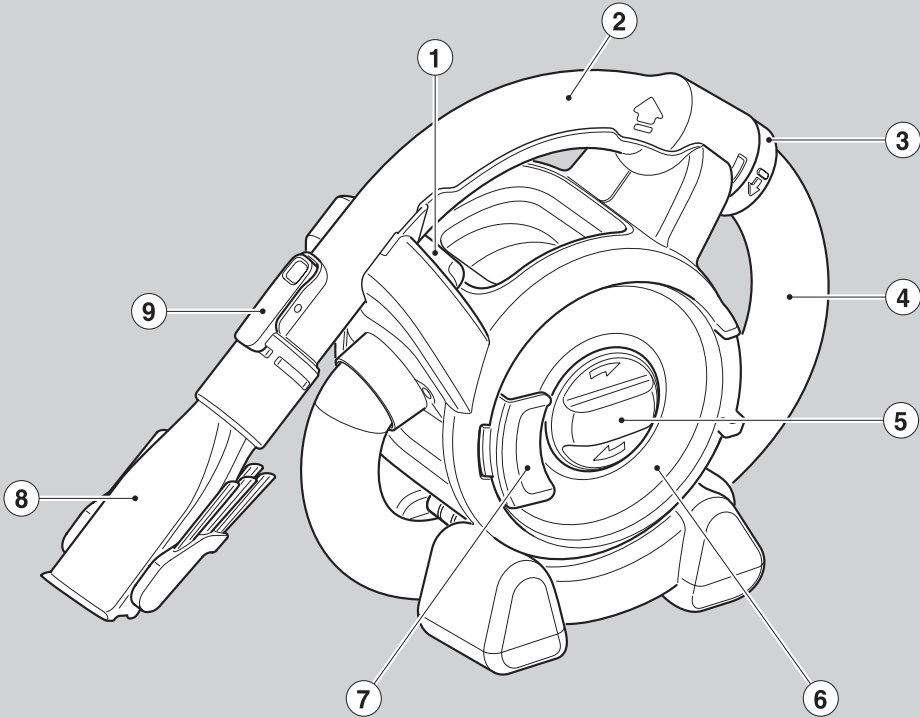
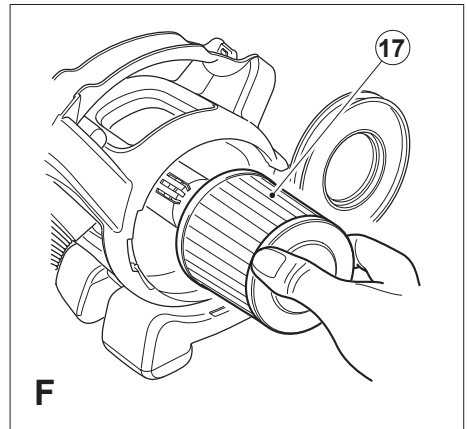
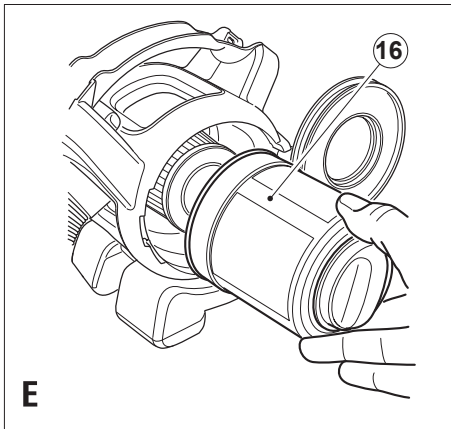
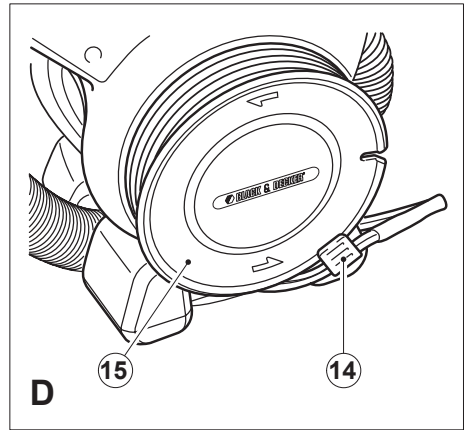
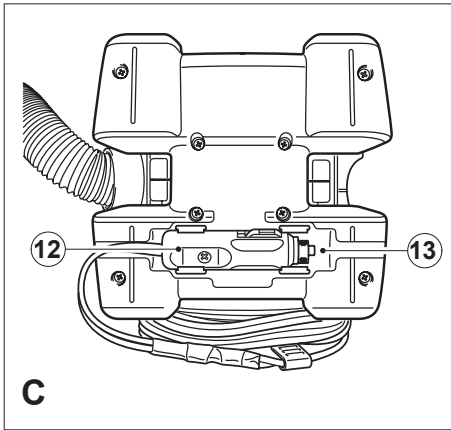
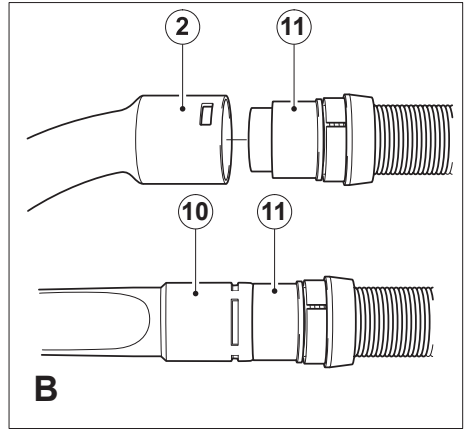
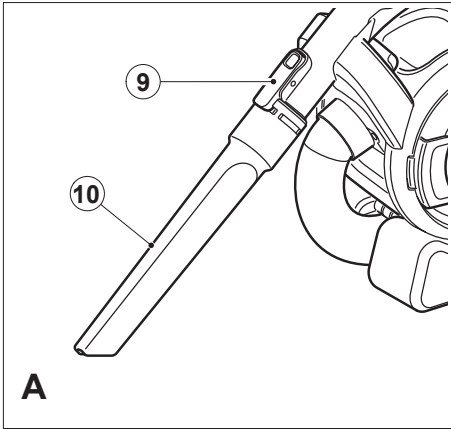


BLACK & DECKER®





Intended use

Your Black & Decker Dustbuster® auto car vacuum cleaner has been designed for light dry vacuum cleaning purposes. The appliance is powered from a car electrical system and connected by the cigarette lighter socket. This appliance is intended for domestic use only.

Safety instructions

Warning! When using electrical appliances, basic safety precautions, including the following, should always be followed to reduce the risk of fire, leaking batteries, personal injury and material damage.

- ◆ Read all of this manual carefully before using the appliance.
- ◆ The intended use is described in this manual. The use of any accessory or attachment or the performance of any operation with this appliance other than those recommended in this instruction manual may present a risk of personal injury.
- ◆ Retain this manual for future reference.

Using your appliance

- ◆ Do not use near water.
- ◆ Do not use the appliance to pick up liquids or any materials that could catch fire.
- ◆ Do not immerse the appliance in water.
- ◆ Never pull the power cord to disconnect the appliance from the socket. Keep the power cord away from heat, oil and sharp edges.
- ◆ This tool is not intended for use by persons (including children) with reduced physical, sensory or mental capabilities, or lack of experience and knowledge, unless they have been given supervision or instruction concerning use of the appliance by a person responsible for their safety. Children should be supervised to ensure that they do not play with the appliance.

After use

- ◆ Unplug the appliance before cleaning.
- ◆ When not in use, the appliance should be stored in a dry place.
- ◆ Children should not have access to stored appliances.

Inspection and repairs

- ◆ Before use, check the appliance for damaged or defective parts. Check for breakage of parts, damage to switches and any other conditions that may affect its operation.
- ◆ Do not use the appliance if any part is damaged or defective.

- ◆ Have any damaged or defective parts repaired or replaced by an authorized repair agent.
- ◆ Regularly check the power cord for damage.
- ◆ Never attempt to remove or replace any parts other than those specified in this manual.

Additional safety instructions for accessory plugs and sockets

To reduce the risk of fire make sure that the 12 V DC outlet is free from debris and when the adapter plug is fitted, make sure that it is a tight connection.

Features

This appliance includes some or all of the following features.

1. On/off power switch
2. Removable hose/handle
3. Locking ring
4. Hose
5. Filter cleaning wheel
6. Transparent door
7. Door latch
8. 2 in 1 combi brush accessory
9. Accessory clip
10. Crevice tool

Assembly

Mounting accessories (fig. A & B)

The 2-in-1 combi nozzle (8) has a brush that can be folded forward for dusting and upholstery cleaning.

The crevice tool (10) allows for vacuuming in narrow and hard-to-reach places.

- ◆ To fit an accessory press the accessory clip (9) and slide the accessory onto the handle (2).
- ◆ To remove an accessory, press the accessory clip (9) and remove the accessory.

The handle (2) can be removed from the hose (4) allowing the accessories to be connected directly to the hose cuff (11) when required. To remove the handle:

- ◆ Unclip the handle (2) from the appliance.
- ◆ Rotate the locking ring (3) anti-clockwise to release the clips.
- ◆ Pull the hose (4) away from the handle (2).
- ◆ Fit the accessory directly to the hose cuff (11).

To refit the handle:

- ◆ Remove the accessory from the hose.
- ◆ Push the hose (4) into the handle (2). Rotate the locking ring (3) clockwise until it clicks into place.

Use

Connecting to a power source using the 12 V DC accessory plug (fig. C and D)

Note: The tip of the plug is positive (+) and the side contact is negative (-).

- ◆ Remove the 12 V DC accessory plug (12) from the storage recess (13) on the base of the appliance.
- ◆ Unclip the cord clip (14) from the cord storage.
- ◆ Fully unwind the cord from the cord storage (15).
- ◆ Connect the appliance to the power source by inserting the 12 V DC accessory plug (12) firmly into the accessory outlet of a vehicle or other DC power source.

Note: On some vehicles the accessory socket may only become live when the ignition key is in the accessory position.

Warning! Do not use with positive ground electrical systems, (i.e. older vehicles).

Warning! A reverse polarity connection will result in a blown fuse and may cause permanent damage to the appliance.

- ◆ When you have finished using the appliance:
- ◆ Remove the 12 V DC accessory plug (12) from the 12 V DC source.
- ◆ Wind the cord onto the cord storage (15) and secure with the cord clip (14).
- ◆ Store the 12 V DC accessory plug (12) in the storage recess (13) in the base of the appliance.

Switching on and off

- ◆ To switch the appliance on, slide the on/off power switch (1) to the right.
- ◆ To switch the appliance off, slide the on/off power switch (1) to the left until it clicks into the off position.

The appliance can be used for periods of up to 30 minutes without noticeably affecting the power of a normally charged car battery in good condition.

Warning! Extended use will drain the battery power. Do not run the vehicle's engine while cleaning as this can shorten the life of the appliance.

Vacuuming

- ◆ When operating the appliance, make sure that the hose is not trapped, twisted or blocked.
- ◆ The handle (2) can be easily removed from the appliance allowing you to reach up to 1.5 m from the appliance.
- ◆ With the handle (2) removed, the appliance can be carried using the built-in handle.
- ◆ The handle (2) can also be removed from the hose (4) so that you can connect an accessory directly to the hose cuff (11) when required.

Hints for optimum use

- ◆ When vacuuming stairs, always start at the bottom and work your way up.

Optimising the suction force

In order to keep the suction force optimised, the filters must be cleared regularly during use.

- ◆ Turn the filter cleaning wheel (5) two turns clockwise to remove any dust from the filters.
- ◆ The fine particulate filter must be cleaned regularly, see "Cleaning the fine particulate filter" section.

Cleaning and maintenance

Your Black & Decker tool has been designed to operate over a long period of time with a minimum of maintenance.

Continuous satisfactory operation depends upon proper care and regular cleaning.

Warning! Before performing any maintenance or cleaning on the appliance, unplug the appliance.

From time to time wipe the appliance with a damp cloth. Do not use any abrasive or solvent-based cleaner. Do not immerse the appliance in water.

Emptying the dust container (fig. E)

The dust container must be emptied regularly, preferably after every use.

- ◆ Release the door latch (7) and open the transparent door (6) 180° until it clicks in the open position.
- ◆ Remove the pre-filter (16).
- ◆ Empty the dust container.
- ◆ Clean the pre-filter (16) by lightly shaking over a dustbin.
- ◆ Refit the pre-filter (16)
- ◆ Close the transparent door (6) and make sure that it clicks into place.

Warning! Do not, under any circumstances, rinse out the dust container.

Warning! Do not immerse the appliance in water. A damp cloth and soapy water should be used to clean the exterior of the appliance. Always make sure that the appliance is completely dry before re-use or storing.

Cleaning the fine particulate filter (fig. F)

The fine particulate filter (17) prevents particles and larger objects from entering the motor housing.

The filter (17) is re-usable and should be cleaned regularly.

- ◆ Remove the pre-filter (16) from the appliance as described above.
- ◆ Remove the fine particulate filter (17) by pulling firmly.
- ◆ Tap the filter vigorously to remove loose dust from the filter.

- ◆ If necessary, wash the filter in warm, soapy water.
- ◆ Make sure that the filters are dry.
- ◆ Refit the fine particulate filter (17) on to the appliance.
- ◆ Refit the pre-filter (16) as described above.

Replacing the filters

The filters should be replaced every 6 to 9 months and whenever worn or damaged. Replacement filters are available from your Black & Decker dealer (cat. no. PD10):

- ◆ Remove the old filters as described above.
- ◆ Fit the new filters as described above.

Protecting the environment



Separate collection. This product must not be disposed of with normal household waste.

Should you find one day that your Black & Decker product needs replacement, or if it is of no further use to you, do not dispose of it with household waste. Make this product available for separate collection.



Separate collection of used products and packaging allows materials to be recycled and used again. Re-use of recycled materials helps prevent environmental pollution and reduces the demand for raw materials.

Local regulations may provide for separate collection of electrical products from the household, at municipal waste sites or by the retailer when you purchase a new product.

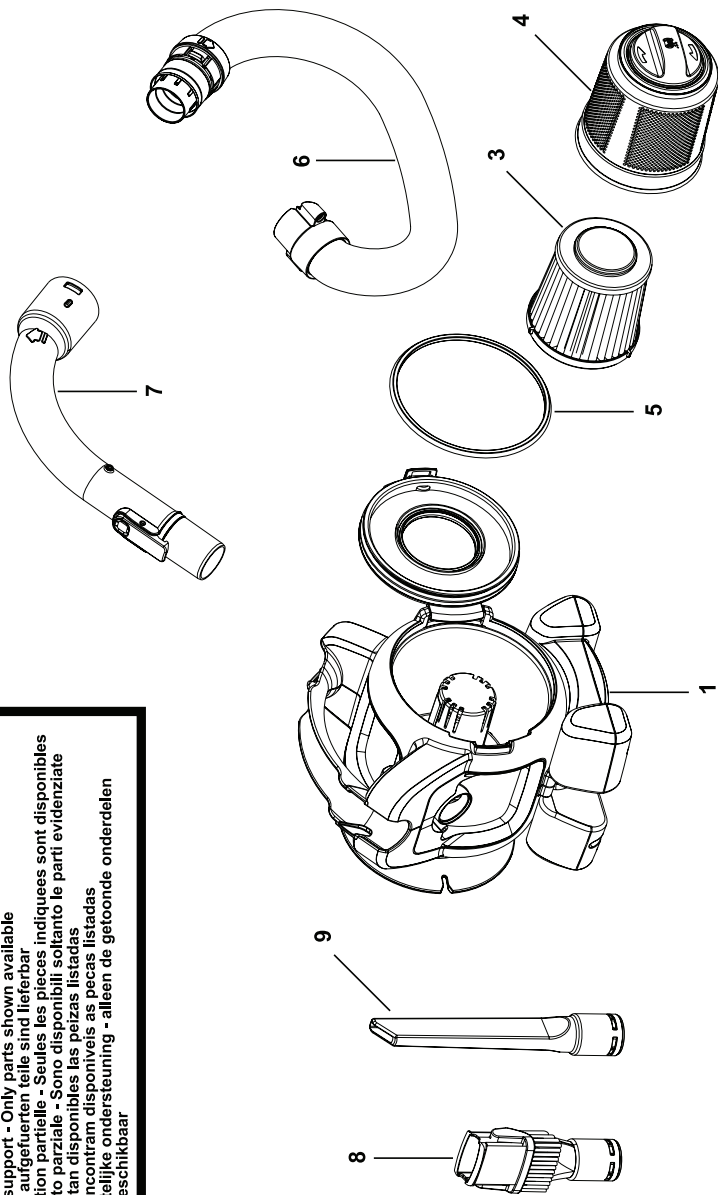
Black & Decker provides a facility for the collection and recycling of Black & Decker products once they have reached the end of their working life. To take advantage of this service please return your product to any authorised repair agent who will collect them on our behalf.

You can check the location of your nearest authorised repair agent by contacting your local Black & Decker office at the address indicated in this manual. Alternatively, a list of authorised Black & Decker repair agents and full details of our after-sales service and contacts are available on the Internet at: www.2helpU.com.

Technical data

PAD1200	
Voltage	V DC 12
Weight	kg 1.6

Partial support - Only parts shown available
Nur die aufgeführten teile sind lieferbar
Reparation partielle - Seules les pieces indiquees sont disponibles
Supporto parziale - Sono disponibili soltanto le parti evidenziate
Solo estan disponibles las piezas listadas
So se encontram disponibles as peças listadas
Gedeeltelijke ondersteuning - alleen de getoonde onderdelen
zijn beschikbaar



Australia

Stanley Black & Decker Tel. 1800 444 224
82 Taryn Drive, Epping Vic, 3076,
Australia

New Zealand

Stanley Black & Decker Tel. +0800 339 258

