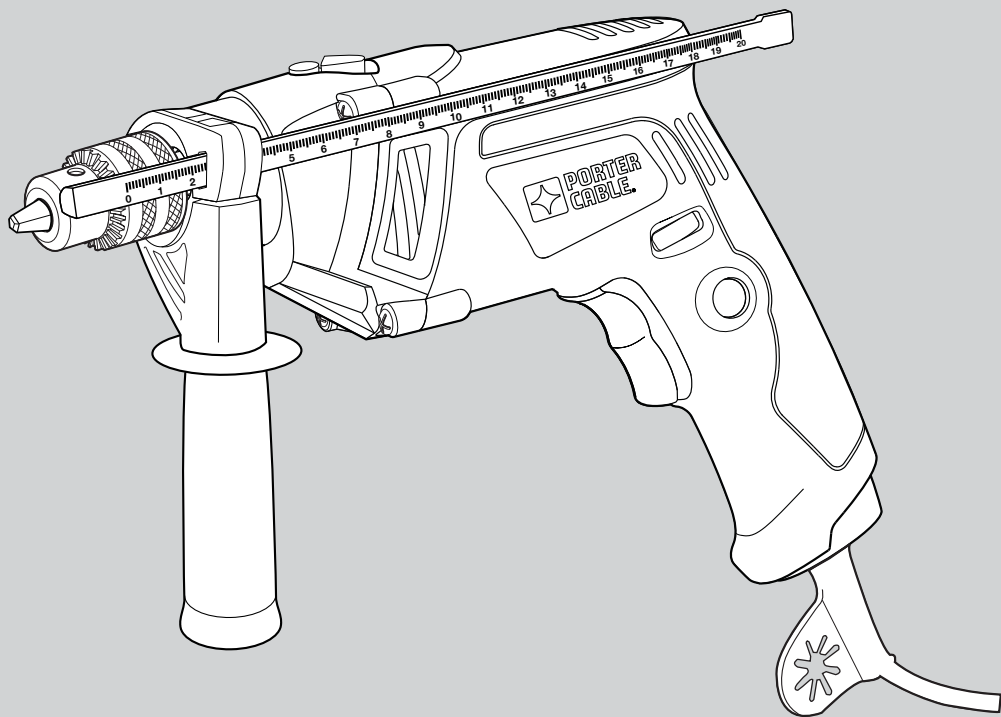
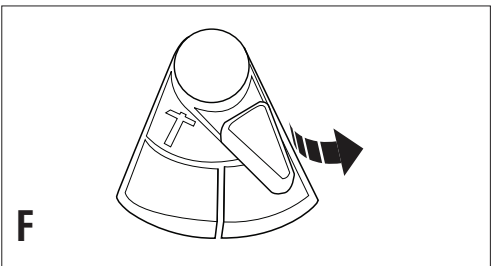
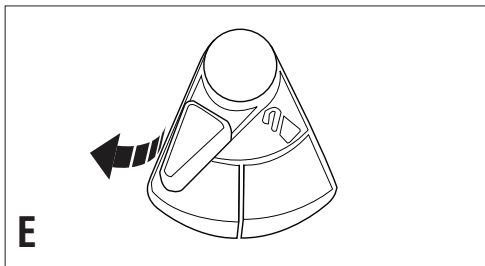
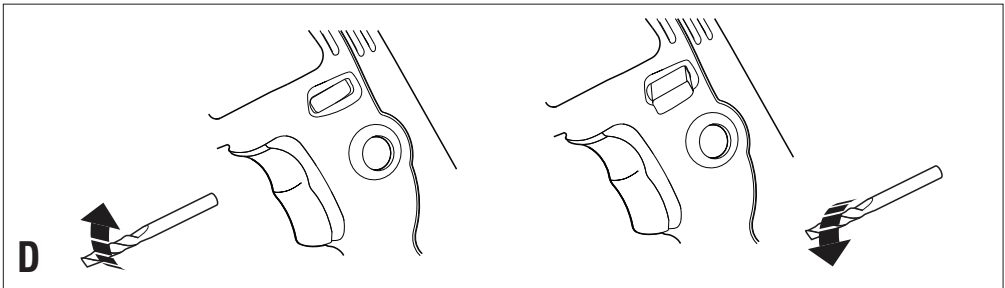
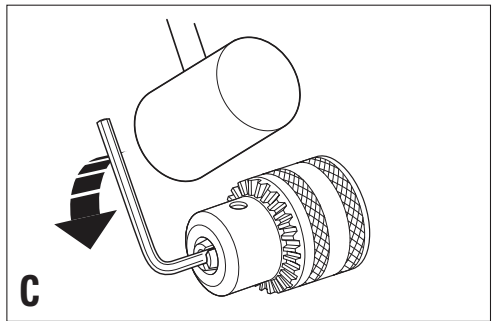
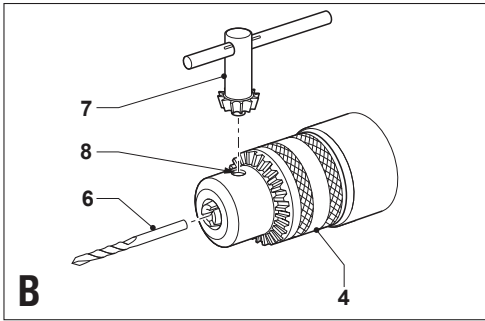
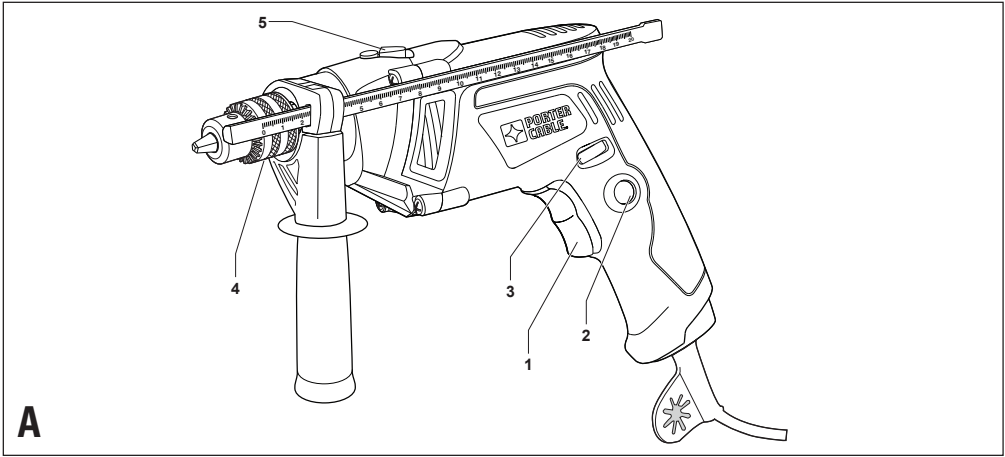


PORTER CABLE®



PCD13RE



PCD13RE

13mm Percussion Drill

TECHNICAL DATA

SPECIFICATION	PCD13RE-XE	
POWER	W	620
VOLTAGE	V	230
NO LOAD SPEED	rpm	0-3,000
REVERSE	YES	
MAX. DRILLING CAPACITY		
– STEEL	mm	10
– WOOD	mm	25
– MASONRY	mm	13
CABLE LENGTH	m	3

INTENDED USE

Your Porter-Cable drill has been designed for drilling in wood, metal, plastics and masonry.

SAFETY INSTRUCTIONS

General power tool safety warnings



Warning! Read all safety warnings and all instructions. Failure to follow all instructions may result in electric shock, fire and/or serious injury.

Save all warnings and instructions for future reference.

The term "power tool" in all of the warnings listed below refers to your mains operated (corded) power tool or battery operated (cordless) power tool.

1. Work area safety

- Keep work area clean and well lit.** Cluttered or dark areas invite accidents.
- Do not operate power tools in explosive atmospheres, such as in the presence of flammable liquids, gases or dust.** Power tools create sparks which may ignite the dust or fumes.
- Keep children and bystanders away while operating a power tool.** Distractions can cause you to lose control.

2. Electrical safety

- Power tool plugs must match the outlet. Never modify the plug in any way.** Do not use any adapter plugs with earthed (grounded) power tools. Unmodified plugs and matching outlets will reduce risk of electric shock.
- Avoid body contact with earthed or grounded surfaces such as pipes, radiators, ranges and refrigerators.** There is an increased risk of electric

shock if your body is earthed or grounded.

- Do not expose power tools to rain or wet conditions.** Water entering a power tool will increase the risk of electric shock.
- Do not abuse the cord. Never use the cord for carrying, pulling or unplugging the power tool.** Keep cord away from heat, oil, sharp edges or moving parts. Damaged or entangled cords increase the risk of electric shock.
- When operating a power tool outdoors, use an extension cord suitable for outdoor use.** Use of a cord suitable for outdoor use reduces the risk of electric shock.
- If operating a power tool in a damp location is unavoidable, use a residual current device (RCD) protected supply.** Use of an RCD reduces the risk of electric shock.
- Recommendation for the use of a residual current device with a rated residual current of 30 mA or less.**

3. Personal safety

- Stay alert, watch what you are doing and use common sense when operating a power tool. Do not use a power tool while you are tired or under the influence of drugs, alcohol or medication.** A moment of inattention while operating power tools may result in serious personal injury.
- Use personal protective equipment. Always wear eye protection.** Protective equipment such as dust mask, non-skid safety shoes, hard hat, or hearing protection used for appropriate conditions will reduce personal injuries.
- Prevent unintentional starting. Ensure the switch is in the off-position before connecting to power source and/or battery pack, picking up or carrying the tool.** Carrying power tools with your finger on the switch or energising power tools that have the switch on invites accidents.
- Remove any adjusting key or wrench before turning the power tool on.** A wrench or a key left attached to a rotating part of the power tool may result in personal injury.
- Do not overreach. Keep proper footing and balance at all times.** This enables better control of the power tool in unexpected situations.
- Dress properly. Do not wear loose clothing or jewellery. Keep your hair, clothing and gloves away from moving parts.** Loose clothes, jewellery or long hair can be caught in moving parts.
- If devices are provided for the connection of dust extraction and collection facilities, ensure these are connected and properly used.** Use of these devices can reduce dust related hazards.

4. Power tool use and care

- a. **Do not force the power tool. Use the correct power tool for your application.** The correct power tool will do the job better and safer at the rate for which it was designed.
- b. **Do not use the power tool if the switch does not turn it on and off.** Any power tool that cannot be controlled with the switch is dangerous and must be repaired.
- c. **Disconnect the plug from the power source and/or the battery pack from the power tool before making any adjustments, changing accessories, or storing power tools.** Such preventive safety measures reduce the risk of starting the power tool accidentally.
- d. **Store idle power tools out of the reach of children and do not allow persons unfamiliar with the power tool or these instructions to operate the power tool.** Power tools are dangerous in the hands of untrained users.
- e. **Maintain power tools. Check for misalignment or binding of moving parts, breakage of parts and any other condition that may affect the power tools operation. If damaged, have the power tool repaired before use.** Many accidents are caused by poorly maintained power tools.
- f. **Keep cutting tools sharp and clean.** Properly maintained cutting tools with sharp cutting edges are less likely to bind and are easier to control.
- g. **Use the power tool, accessories and tool bits etc. in accordance with these instructions, taking into account the working conditions and the work to be performed.** Use of the power tool for operations different from those intended could result in a hazardous situation.

5. Service

- a. **Have your power tool serviced by a qualified repair person using only identical replacement parts.**
This will make sure that the safety of the power tool is maintained.

ADDITIONAL SAFETY INSTRUCTIONS FOR AUSTRALIA AND NEW ZEALAND

- a. Young children and the infirm. This appliance is not intended for use by young children or infirm persons without supervision. Young children should be supervised to ensure they do not play with this appliance.
- b. Replacement of the supply cord. If the supply cord is damaged, it must be replaced by the manufacturer or an authorised Porter-Cable Service Centre in order to avoid a hazard.

ADDITIONAL SAFETY INSTRUCTION FOR DRILLS

- **Wear ear protectors when impact drilling.** Exposure to noise can cause hearing loss.
- **Use auxiliary handle(s), if supplied with the tool.** Loss of control can cause personal injury.
- **Hold power tool by insulated gripping surfaces, when performing an operation where the cutting accessory may contact hidden wiring or its own cord.** Cutting accessory contacting a "live" wire may make exposed metal parts of the power tool "live" and could give the operator an electric shock.

ELECTRICAL SAFETY



This tool is double insulated; therefore no earth wire is required. Always check that the power supply corresponds to the voltage on the rating plate.

This appliance is not intended for use by young or infirm persons without supervision. Children must be supervised to ensure they do not play with the appliance.

If the supply cord is damaged, it must be replaced by the manufacturer or an authorised Porter-Cable Service Centre in order to avoid a hazard.

FEATURES

This tool includes some or all of the following features.

1. Variable speed switch
2. Lock-on button
3. Forward/reverse slider
4. Chuck
5. Drilling mode selector

ASSEMBLY



Warning! Before assembly, make sure that the tool is switched off and unplugged.


Keyed chuck (fig. B)


- Open the chuck by turning the sleeve counterclockwise.
- Insert the bit shaft (6) into the chuck.
- Insert the chuck key (7) into each hole (8) in the side of the chuck and turn clockwise until tight.

Removing and refitting the chuck (fig. C)

- Open the chuck as far as possible.
- Remove the chuck retaining screw, located in the chuck, by turning it clockwise using a screwdriver.
- Tighten an Allen key into the chuck and strike it with a hammer as shown. Remove the Allen key.
- Remove the chuck by turning it counter clockwise.
- To refit the chuck, screw it onto the spindle and secure it with the chuck retaining screw.

USE


 **Warning!** Let the tool work at its own pace. Do not overload.

 **Warning!** Before drilling into walls, floors or ceilings, check for the location of wiring and pipes.

Selecting the direction of rotation (fig. D)

For drilling and for tightening screws, use forward (clockwise) rotation. For loosening screws or removing a jammed drill bit, use reverse (counterclockwise) rotation.

- To select forward rotation, push the forward/reverse slider (3) to the left.
- To select reverse rotation, push the forward/reverse slider to the right.

 **Warning!** Never change the direction of rotation while the motor is running.

Switching on and off



- To switch the tool on, press the variable speed switch (1). The tool speed depends on how far you press the switch.
- For continuous operation, press the lock-on button (2) and release the variable speed switch. This option is available only at full speed.

To switch the tool off, release the variable speed switch.

To switch the tool off when in continuous operation, press the variable speed switch once more and release it.

- To switch the tool off, release the variable speed switch.
- To switch the tool off when in continuous operation, press the variable speed switch once more and release it.

Drilling model selector

- For drilling in masonry, set the drilling mode selector (5) to the  position. (fig.F)
- For drilling in other materials, set the drilling mode selector (5) to the  position. (fig.E)

ACCESSORIES

The performance of your tool depends on the accessory used. Porter-Cable and Piranha accessories are engineered to high quality standards and designed to enhance the performance of your tool. By using these accessories you will get the very best from your tool.

MAINTENANCE

Your Porter-Cable tool has been designed to operate over a long period of time with a minimum of maintenance. Continuous satisfactory operation depends upon proper tool care and regular cleaning.

- Regularly clean the ventilation slots in your tool using a soft brush or dry cloth.

- Regularly clean the motor housing using a damp cloth. Do not use any abrasive or solvent-based cleaner. Never let any liquid get inside the tool and never immerse any part of the tool into liquid.

PROTECTING THE ENVIRONMENT

Separate collection. This product must not be disposed of with normal household waste.

Should you find one day that your Porter-Cable product needs replacement, or if it is of no further use to you, do not dispose of it with household waste. Make this product available for separate collection.



Separate collection of used products and packaging allows materials to be recycled and used again. Re-use of recycled materials helps prevent environmental pollution and reduces the demand for raw materials.

NOTE

Local regulations may provide for separate collection of electrical products from the household, at municipal waste sites or by the retailer when you purchase a new product. Porter-Cable provides a facility for the collection and recycling of Porter-Cable products once they have reached the end of their working life. To take advantage of this service please return your product to any authorised repair agent who will collect them on our behalf. You can check the location of your nearest authorised repair agent by contacting your local Porter-Cable office at the address indicated in this manual. Alternatively, a list of authorised Porter-Cable repair agents and full details of our after-sales service and contacts are available on the Internet at www.2helpU.com.

GUARANTEE**Three Year Limited Warranty**

Porter-Cable will repair, without charge, any defects due to faulty materials or workmanship for three years from the date of purchase. Please return the complete unit, transportation prepaid, to any Porter-Cable Service Centre, or any authorised service station.

For warranty repair information, call (Australia) 1800 654 155 or (New Zealand) 0800 339 258. This warranty does not apply to:

- Accessories
- Damage caused where repairs have been made or attempted by others.
- Damage due to misuse, neglect, wear and tear, alteration or modification. authorised repair agents or Porter-Cable service staff.

This warranty gives you specific legal rights and you may have other rights under the provisions of the Consumer Guarantee Act 1993 (New Zealand only), Trade Practices Act 1974 and State Legislation (Australia only). In addition to the warranty, Porter-Cable tools are covered by our:

Free One Year Service Contract

Porter Cable will also maintain the tool for free at any time during the first year of purchase. This includes labour, parts and lubrication required to restore the product to sound mechanical and/or electrical condition. Normal wear parts are not covered in this service. Carbon brushes worn more than 50% will be replaced.

NOTE: 3 Year warranty is not applicable to items deemed as consumables. Porter Cable Reserves the right to review its warranty policy prior to launch of any new business development products.

Contact Information

Australia

Porter-Cable
20 Fletcher Road, Mooroolbark, Victoria, 3138
Tel. 03-8720 5100
Fax. 03-9727 5940

New Zealand

Porter-Cable
5 Te Apunga Place
Mt Wellington
Auckland 1060
Tel. 0800 339 258
Fax. 09 259 1122

Contact your local council for disposal information.