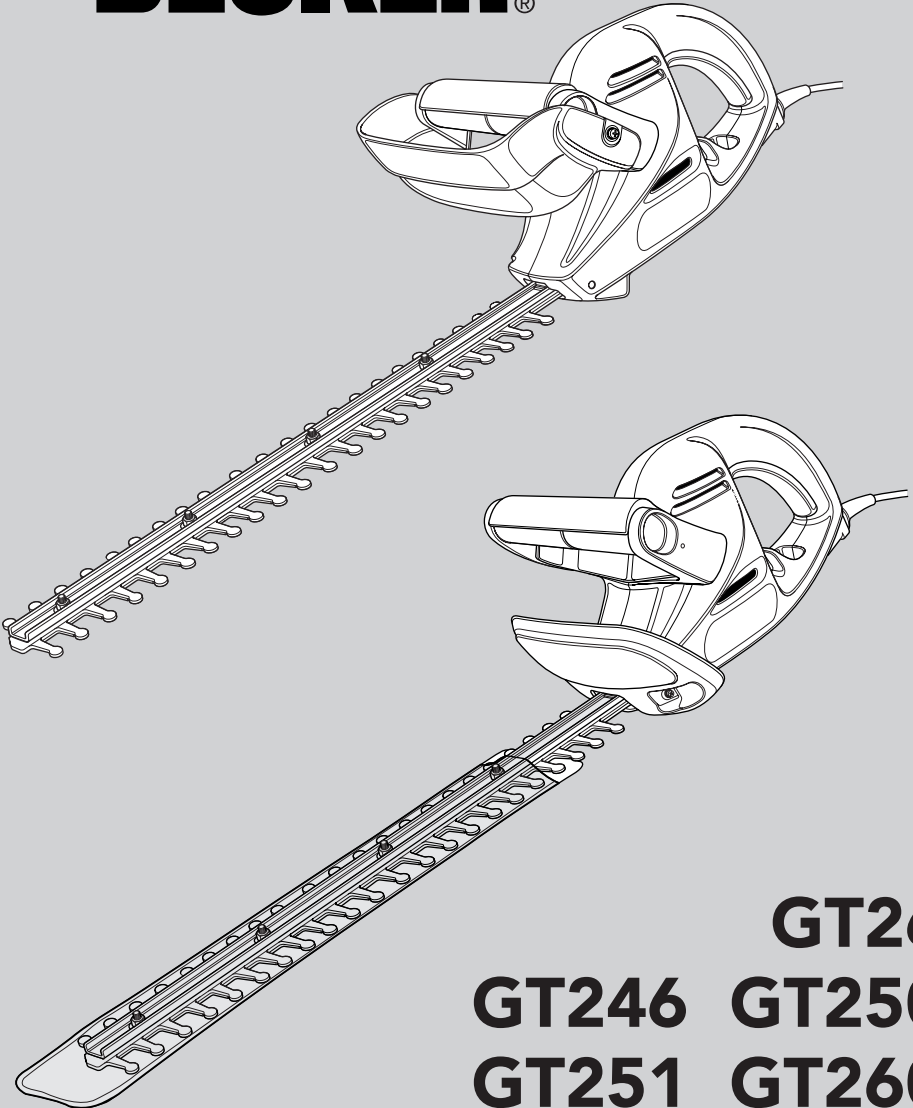


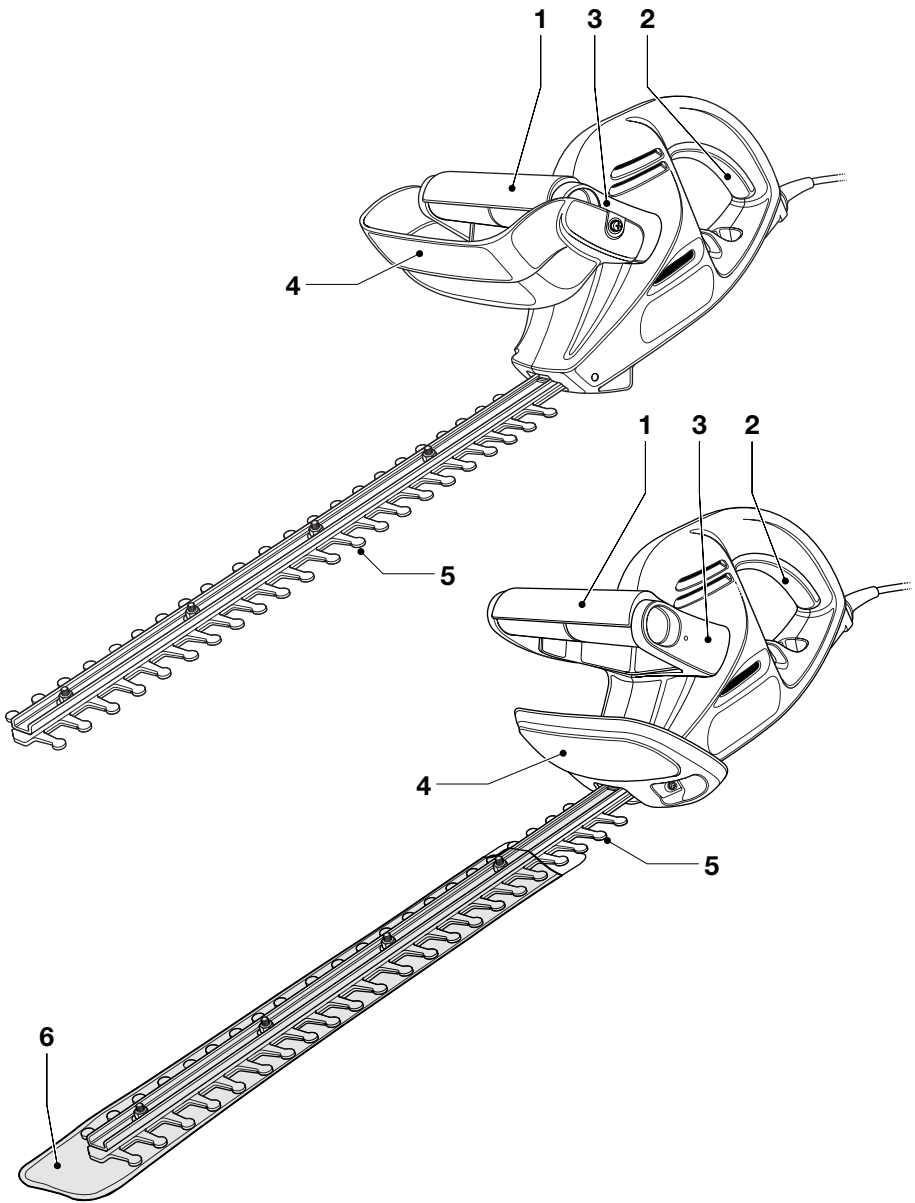


**BLACK &  
DECKER®**

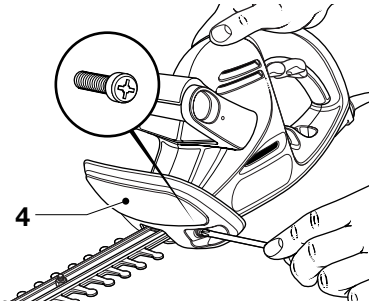
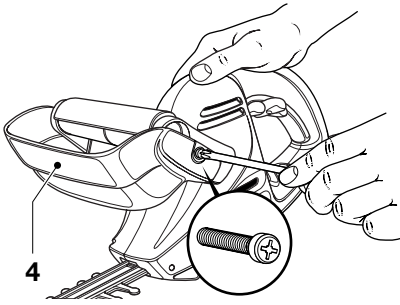


**GT26**  
**GT246 GT250**  
**GT251 GT260**  
**GT261 GT262**

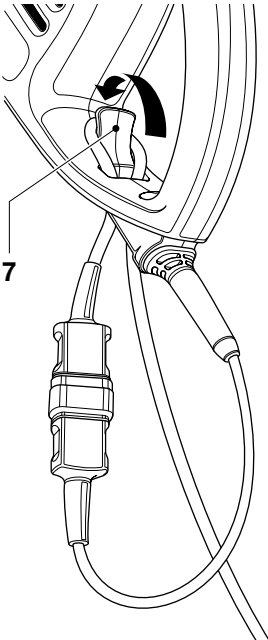
<b>English</b>	<b>5</b>
<b>Deutsch</b>	<b>11</b>
<b>Français</b>	<b>17</b>
<b>Italiano</b>	<b>23</b>
<b>Nederlands</b>	<b>29</b>
<b>Español</b>	<b>35</b>
<b>Português</b>	<b>41</b>
<b>Svenska</b>	<b>47</b>
<b>Norsk</b>	<b>52</b>
<b>Dansk</b>	<b>58</b>
<b>Suomi</b>	<b>64</b>
<b>Ελληνικά</b>	<b>70</b>



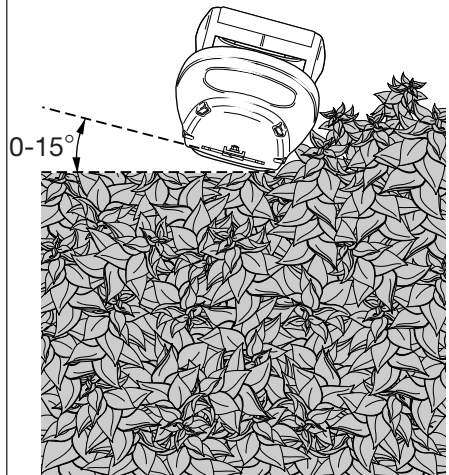
A



**B**



**C**



**D**

# HEDGETRIMMER GT26/GT246/GT250/ GT251/GT260/GT261/GT262

## CONGRATULATIONS!

You have chosen a Black & Decker tool. Our aim is to provide quality tools at an affordable price. We hope that you will enjoy using this tool for many years.

## EC DECLARATION OF CONFORMITY



GT26/GT246/GT250/GT251/GT260/  
GT261/GT262

Black & Decker declares that these products conform to:  
98/37/EC, 89/336/EEC, 73/23/EEC,  
EN 50144, EN 55014, EN 61000  
2000/14/EC, Hedge trimmer  $\leq$  380 W,  
Annex V

Level of sound pressure, measured according to  
2000/14/EC:

$L_{pA}$ (sound pressure)	dB(A)	82
$L_{WA}$ (acoustic power)	dB(A)	95
$L_{WA}$ (guaranteed)	dB(A)	99



Always wear ear protection if the sound pressure exceeds 85 dB(A).

Hand/arm weighted vibration value according to  
EN 50144:

$< 2.5 \text{ m/s}^2$

Kevin Hewitt

Director of Consumer Engineering  
Spennymoor, County Durham DL16 6JG,  
United Kingdom  
1-11-2003

## INTENDED USE

Your Black & Decker hedgetrimmer GT26/GT246/  
GT250/GT251/GT260/GT261/GT262 has been  
designed for trimming hedges, shrubs and brambles.  
This tool is intended for consumer use only.

## SAFETY INSTRUCTIONS

### Warning symbols

The following symbols are used in this manual:



Denotes risk of personal injury, loss of life or damage to the tool in case of non-observance of the instructions in this manual.



Denotes risk of electric shock.



Read the manual prior to operation.

### Know your tool



- ◆ **Warning!** When using mains-powered tools, basic safety precautions, including the following, should always be followed to reduce the risk of fire, electric shock, personal injury and material damage.
- ◆ Read all of this manual carefully before operating the tool.
- ◆ Before operating the tool, make sure that you know how to switch the tool off in an emergency.
- ◆ Retain this manual for future reference.

## General

### 1. Consider work area environment

Do not expose the tool to rain. Do not use the tool in damp or wet conditions. Keep the work area well lit. Do not use the tool where there is a risk of causing fire or explosion, i.e. in the presence of flammable liquids and gases. Keep the work area free from debris and obstacles.

### 2. Keep children away

Do not allow children, visitors or animals to come near the work area or to touch the tool or mains cable.

### 3. Dress properly

Do not wear loose clothing or jewellery, as these can be caught in moving parts. Preferably wear rubber gloves and non-slip footwear when working outdoors. Wear protective hair covering to keep long hair out of the way.

### 4. Personal protection

Always use safety glasses. Use a face or dust mask whenever the operations may produce dust or flying particles. Wear ear protection whenever the sound level seems uncomfortable.

### 5. Guard against electric shock

Prevent body contact with earthed or grounded surfaces (e.g. metal railings, lamp-posts etc.). Electric safety can be further improved by using a high-sensitivity (30 mA/30 mS) residual current device (RCD).

### 6. Do not overreach

Keep proper footing and balance at all times.

### 7. Stay alert

Watch what you are doing. Use common sense. Do not operate the tool when you are tired.

### 8. Secure workpiece

Where appropriate, use clamps or a vice to hold the workpiece. It is safer and it frees both hands to operate the tool.

### 9. Remove keys and adjusting wrenches

Always check that keys and adjusting wrenches are removed from the tool before operating the tool.

### 10. Extension cables

Before use, inspect the extension cable and replace if damaged. Only use extension cables intended for outdoor use.

### 11. Use appropriate tool

The intended use is described in this instruction manual. Do not force small tools or attachments to do the job of a heavy-duty tool. The tool will do the job better and safer at the rate for which it was intended. Do not force the tool.

**Warning!** The use of any accessory or attachment or performance of any operation with this tool other than those recommended in this instruction manual may present a risk of personal injury.

### 12. Check for damaged parts

Before use, carefully check the tool and mains cable for damage. Check for misalignment and seizure of moving parts, breakage of parts, damage to guards and switches and any other conditions that may affect its operation. Ensure that the tool will operate properly and perform its intended function. Do not use the tool if any part is damaged or defective. Do not use the tool if the switch does not turn it on and off. Have any damaged or defective parts repaired or replaced by an authorised repair agent. Never attempt any repairs yourself. If the supply cord is damaged, it must be replaced by an authorised repair agent in order to avoid a hazard.

### 13. Unplug the tool

Unplug the tool when it is not in use, before changing any parts of the tool, accessories or attachments and before servicing.

### 14. Avoid unintentional starting

Do not carry the tool with a finger on the on/off switch. Be sure that the tool is switched off when plugging in.

### 15. Do not abuse cord

Never carry the tool by its cord or pull it to disconnect from the socket. Keep the cord away from heat, oil and sharp edges.

### 16. Store idle tools

When not in use, tools should be stored in a dry, locked up or high place, out of reach of children.

### 17. Maintain tools with care

Keep cutting tools sharp and clean for better and safer performance. Follow the instructions for maintenance and changing accessories. Keep handles and switches dry, clean and free from oil and grease.

## 18. Repairs

This tool complies with relevant safety requirements. Repairs should only be carried out by qualified persons using original spare parts; otherwise this may result in considerable danger to the user.

### Additional safety instructions for hedgetrimmers



Wear safety glasses or goggles when operating this tool.



Wear gloves when operating this tool.



Wear ear protection when operating this tool.



Immediately disconnect the cable from the mains if it is damaged or cut.



Do not expose the tool to rain or high humidity.

- ◆ Keep the cable away from the blades while using this tool.
- ◆ If you have not used a hedgetrimmer before, preferably seek practical instruction by an experienced user in addition to studying this manual.
- ◆ Never touch the blades while the tool is running.
- ◆ Never attempt to force the blades to come to a standstill.
- ◆ Do not put the tool down until the blades have come to a complete standstill.
- ◆ Regularly check the blades for damage and wear. Do not use the tool when the blades are worn or damaged.
- ◆ Take care to avoid hard objects (e.g. metal wire, railings) when trimming. Should you accidentally hit any such object, immediately switch the tool off and check for any damage.
- ◆ Should the tool start to vibrate abnormally, immediately switch it off and check for any damage.
- ◆ If the tool stalls, immediately switch it off. Unplug the tool before attempting to remove any obstructions.

- ◆ After use, place the blade sheath supplied over the blades. Store the tool, making sure that the blade is not exposed.
- ◆ Always ensure that all guards are fitted when using the tool. Never attempt to use an incomplete tool or a tool with unauthorised modifications.
- ◆ Never allow children to use the tool.

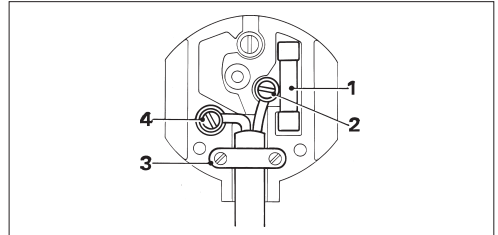
### ELECTRICAL SAFETY

The electric motor has been designed for one voltage only. Always check that the power supply corresponds to the voltage on the rating plate.



This tool is double insulated; therefore no earth wire is required.

### Mains plug replacement (U.K. & Ireland only)



- ◆ Should your mains plug need replacing and you are competent to do this, proceed as instructed below. If you are in doubt, contact an authorised repair agent or a qualified electrician.
- ◆ Disconnect the plug from the supply and remove the fuse from the plug.
- ◆ Cut off the plug and dispose of it safely; a plug with bared copper conductors is dangerous if engaged in a live socket outlet.
- ◆ Only fit 13 Amperes BS1363A approved plugs fitted with the correctly rated fuse (1).
- ◆ The cable wire colours, or a letter, will be marked at the connection points of most good quality plugs. Attach the wires to their respective points in the plug (see above). Brown is for Live (L) (2), blue is for Neutral (N) (4).
- ◆ Before replacing the top cover of the mains plug ensure that the cable restraint (3) is holding the outer sheath of the cable firmly and that the leads are correctly fixed at the terminal screws.

- ◆ If the plug has a fuse cover, make sure that the fuse cover is fitted. Do not use the plug if the fuse cover is missing or damaged.



Never use a light socket.

## Using an extension cable

Always use an approved extension cable suitable for the power input of this tool (see technical data). The extension cable must be suitable for outdoor use and marked accordingly. When using a cable reel, always unwind the cable completely.

## CARTON CONTENTS

The carton contains:

- 1 Hedgetrimmer
- 1 Blade sheath
- 1 Guard
- 2 Screws
- 1 Instruction manual

- ◆ Carefully unpack all parts.
- ◆ Please note that additional items may be found in the carton, depending on the letter suffix following the catalogue number of your tool.

## OVERVIEW (fig. A)

1. Front handle switch
2. Trigger switch
3. Front handle
4. Guard
5. Blade
6. Blade sheath

## ASSEMBLY



- ◆ Before assembly, make sure that the tool is switched off and unplugged.
- ◆ Fit the blade sheath over the blades.

You will need a number 2 Posidrive screwdriver for assembly.

## Fitting the guard (fig. B)

- ◆ Place the guard (4) onto the tool as shown.
- ◆ Secure the guard using the two screws supplied.



Never use the tool without the guard.

## Connecting the tool to the mains (fig. C)

Unless the tool is fitted with a mains cable, you will need to connect an extension cable to the power inlet.

- ◆ Connect the female socket of a suitable extension cable to the power inlet.
- ◆ Loop the extension cable through the cable restraint (7) as shown to prevent it from becoming detached during use.
- ◆ Insert the mains plug into a mains outlet.



The extension cable must be suitable for outdoor use.

## USE



Let the tool work at its own pace. Do not overload.

- ◆ Carefully guide the cable in order to avoid accidentally cutting it. A good way to control the cable is by putting it over your shoulder.

## Switching on and off (fig. D)

For your safety, this tool is equipped with a double switching system. This system prevents starting the tool inadvertently and will only allow operation while holding the tool with both hands.

### Switching on

- ◆ Squeeze both the front handle switch (1) and the trigger switch (2).

### Switching off

- ◆ Release the front handle switch (1) or the trigger switch (2).



Never attempt to lock a switch in the on position.

## Hints for optimum use

- ◆ Slightly tilt the tool (up to 15° relative to the line of cut) so that the blade tips point slightly towards the hedge (fig. E).



This will cause the blades to cut more effectively.

- ◆ Start by trimming the top of the hedge. Hold the tool at the desired angle and move it steadily along the line of cut. The double-sided blade allows you to cut in either direction.
- ◆ In order to obtain a very straight cut, stretch a piece of string along the length of the hedge at the desired height. Use the string as a guideline, cutting just above it.
- ◆ In order to obtain flat sides, cut upwards with the growth. Younger stems move outwards when the blade cuts downwards, causing shallow patches in the hedge.
- ◆ Take care to avoid any foreign objects. Especially avoid hard objects such as metal wire and railings, as these could damage the blades.
- ◆ Regularly oil the blades.

#### Guidelines for trimming (UK & Ireland)

- ◆ Trim hedges and shrubs with seasonal leaves (new leaves every year) in June and October.
- ◆ Trim evergreens in April and August.
- ◆ Trim conifers and other fast growing shrubs every six weeks from May until October.

#### Guidelines for trimming (Australia & New Zealand)

- ◆ Trim hedges and shrubs with seasonal leaves (new leaves every year) in December and March.
- ◆ Trim evergreens in September and February.
- ◆ Trim conifers and other fast growing shrubs every six weeks from October until March.

### MAINTENANCE

Your Black & Decker tool has been designed to operate over a long period of time with a minimum of maintenance. Continuous satisfactory operation depends upon proper tool care and regular cleaning.



Before performing any maintenance, switch off and unplug the tool.

- ◆ After use, carefully clean the blades. After cleaning, apply a film of light machine oil to prevent the blades from rusting.
- ◆ Regularly clean the ventilation slots in your tool using a soft brush or dry cloth.

- ◆ Regularly clean the motor housing using a damp cloth. Do not use any abrasive or solvent-based cleaner.

### PROTECTING THE ENVIRONMENT



Black & Decker provides a facility for recycling Black & Decker products once they have reached the end of their working life. This service is provided free of charge. To take advantage of this service please return your product to any authorised repair agent who will collect them on our behalf.

You can check the location of your nearest authorised repair agent by contacting your local Black & Decker office at the address indicated in this manual. Alternatively, a list of authorised Black & Decker repair agents and full details of our after-sales service and contacts are available on the Internet at: [www.2helpU.com](http://www.2helpU.com).

### GUARANTEE

Black & Decker is confident of the quality of its products and offers an outstanding guarantee. This guarantee statement is in addition to and in no way prejudices your statutory rights. The guarantee is valid within the territories of the Member States of the European Union and the European Free Trade Area.

If a Black & Decker product becomes defective due to faulty materials, workmanship or lack of conformity, within 24 months from the date of purchase, Black & Decker guarantees to replace defective parts, repair products subjected to fair wear and tear or replace such products to ensure minimum inconvenience to the customer unless:

- ◆ The product has been used for trade, professional or hire purposes;
- ◆ The product has been subjected to misuse or neglect;
- ◆ The product has sustained damage through foreign objects, substances or accidents;
- ◆ Repairs have been attempted by other persons than authorised repair agents or Black & Decker service staff.

To claim on the guarantee, you will need to submit proof of purchase to the seller or an authorised repair agent. You can check the location of your nearest authorised repair agent by contacting your local Black & Decker office at the address indicated in this manual. Alternatively, a list of authorised Black & Decker repair agents and full details of our after-sales service and contacts are available on the Internet at: [www.2helpU.com](http://www.2helpU.com).

## OTHER OUTDOOR TOOLS

Black & Decker has a full range of outdoor power tools that make life in the garden easy. If you would like further information on the following products, please contact our Service and Information Centre (see the address page towards the end of this manual) or your local Black & Decker retailer.

- String trimmers
- Chainsaws
- Cordless shear
- Hedgetrimmers
- Lawnmowers
- Lawnrakers
- Leafbusters
- Shredders

Not all products are available in all countries.

## Technical data

		GT26	GT246	GT250	GT251	GT260	GT261	GT262
Voltage	V <sub>AC</sub>	230	230	230	230	230	230	230
(Australia & New Zealand)	V <sub>AC</sub>	240	240	240	240	240	240	240
Power input	W	350	350	380	380	380	380	380
Blade strokes (no load)	min <sup>-1</sup>	3,800	3,800	3,800	3,800	3,800	3,800	3,800
Blade length	cm	41	41	41	41	51	51	51
Blade gap	mm	12	12	12	12	12	12	12
Blade brake time	s	< 1	< 1	< 1	< 1	< 1	< 1	< 1
Weight	kg	2.4 - 2.5	2.4 - 2.5	2.4 - 2.5	2.4 - 2.5	2.4 - 2.5	2.4 - 2.5	2.4 - 2.5

# HECKENSCHERE GT26/GT246/GT250/ GT251/GT260/GT261/GT262

## HERZLICHEN GLÜCKWUNSCH!


Sie haben sich für ein Gerät von Black & Decker entschieden. Wir möchten Qualitätsgeräte zu einem erschwinglichen Preis bieten. Wir hoffen, daß Sie dieses Gerät viele Jahre mit Freude verwenden werden.

## EU-KONFORMITÄTSERKLÄRUNG

**CE** GT26/GT246/GT250/GT251/GT260/  
GT261/GT262  
Black & Decker erklärt hiermit, daß diese Geräte entsprechend folgenden Richtlinien und Normen konzipiert wurden: 98/37/EWG, 89/336/EWG, 73/23/EWG, EN 50144, EN 55014, EN 61000 2000/14/EWG, Heckenschere ≤ 380 W, Anhang V

Höhe des Schalldrucks, gemessen nach 2000/14/EC:

$L_{pA}$ (Schalldruck)	dB(A)	82
$L_{WA}$ (Schalleistung)	dB(A)	95
$L_{WA}$ (garantiert)	dB(A)	99

 Tragen Sie bei einem Schalldruck über 85 dB(A) einen Gehörschutz.

Gewichteter Effektivwert der Beschleunigung nach EN 50144:

< 2,5 m/s<sup>2</sup>



Kevin Hewitt

Director of Consumer Engineering  
Spennymoor, County Durham DL16 6JG,  
United Kingdom  
1-11-2003

## BESTIMMUNGSGEMÄSSE VERWENDUNG

Ihre Black & Decker Heckenschere GT26/GT246/GT250/GT251/GT260/GT261/GT262 wurde zum Schneiden von Hecken und Sträuchern entwickelt. Dieses Gerät ist nicht für den gewerblichen Einsatz vorgesehen.

## SICHERHEITSHINWEISE

### Warnsymbole

Folgende Warnsymbole werden in dieser Anleitung verwendet:



Verletzungsgefahr, Lebensgefahr oder mögliche Beschädigung des Geräts infolge der Nichtbeachtung der Anweisungen dieser Anleitung!



Gefahr eines elektrischen Schlages.



Lesen Sie vor der Inbetriebnahme die Anleitung.

### Kennen Sie Ihr Gerät



- ◆ **Warnung!** Bei der Verwendung elektrischer Geräte sind zum Schutz gegen Feuergefahr, gegen elektrischen Schlag sowie gegen Körper- und Sachschaden grundlegende Sicherheitsmaßnahmen, einschließlich der folgenden Vorschriften, zu beachten.
- ◆ Lesen Sie diese Anleitung gründlich durch, bevor Sie das Gerät verwenden.
- ◆ Informieren Sie sich vor der Inbetriebnahme, wie Sie das Gerät im Notfall ausschalten.
- ◆ Bewahren Sie diese Anleitung auf.

## Allgemeines

### 1. Berücksichtigen Sie Umgebungseinflüsse!

Setzen Sie das Gerät keinem Regen aus. Verwenden Sie das Gerät nicht in einer feuchten oder nassen Umgebung. Sorgen Sie für eine gute Beleuchtung des Arbeitsbereiches. Benutzen Sie das Gerät nicht an Orten, wo Feuergefahr oder Explosionsgefahr besteht, z.B. in der Nähe von brennbaren Flüssigkeiten oder Gasen. Halten Sie den Arbeitsbereich frei von Abfällen und Hindernissen.

### 2. Halten Sie Kinder fern!

Halten Sie Kinder, Besucher und Tiere dem Arbeitsbereich fern und sorgen Sie dafür, daß Sie das Gerät und das Netzkabel nicht berühren.

### 3. Tragen Sie geeignete Arbeitskleidung!

Tragen Sie keine weite Kleidung oder Schmuck, da diese von sich bewegenden Teilen erfaßt werden können. Beim Arbeiten im Freien sind Arbeitshandschuhe und rutschfestes Schuhwerk empfehlenswert. Tragen Sie bei langen Haaren ein Haarnetz.

### 4. Schutzmaßnahmen:

Verwenden Sie immer eine Schutzbrille. Tragen Sie einen Gesichtsschutz oder eine Atemschutzmaske, falls die Arbeiten Staub oder Späne erzeugen können. Tragen Sie bei einem hohen oder unangenehmen Schallpegel immer einen Gehörschutz.

### 5. Schutz vor elektrischem Schlag

Vermeiden Sie eine Berührung des Körpers mit geerdeten Gegenständen (z.B. Metallgeländer, Laternenpfähle usw.). Die elektrische Sicherheit läßt sich durch Verwendung eines Fehlerstrom-Schutzschalters (30 mA/30 mS) weiter erhöhen.

### 6. Achten Sie auf einen sicheren Stand!

Achten Sie auf einen sicheren Stand, um in jeder Arbeitsposition das Gleichgewicht zu halten.

### 7. Seien Sie stets aufmerksam!

Konzentrieren Sie sich auf Ihre Arbeit. Gehen Sie vernünftig vor. Verwenden Sie das Gerät nicht, wenn Sie müde sind.

### 8. Sichern Sie das Werkstück!

Wo zutreffend, benutzen Sie Spannvorrichtungen oder einen Schraubstock, um das Werkstück festzuhalten.

Es ist damit sicherer gehalten und ermöglicht die Bedienung des Gerätes mit beiden Händen.

### 9. Lassen Sie keine Schlüssel stecken!

Überprüfen Sie vor dem Einschalten, ob die Schlüssel und Einstellwerkzeuge entfernt sind.

### 10. Verlängerungskabel

Prüfen Sie vor dem Gebrauch das Verlängerungskabel und tauschen Sie es aus, falls es beschädigt ist. Verwenden Sie nur Verlängerungskabel, die sich für die Verwendung im Freien eignen.

### 11. Benutzen Sie das richtige Gerät!

Die bestimmungsgemäße Verwendung ist in dieser Betriebsanleitung beschrieben. Verwenden Sie keine zu schwachen Geräte oder Zubehörteile für schwere Arbeiten. Mit dem richtigen Gerät erzielen Sie eine optimale Qualität und gewährleisten Ihre persönliche Sicherheit. Überlasten Sie das Gerät nicht.

**Warnung!** Das Verwenden anderer als der in dieser Anleitung empfohlenen Vorsatzgeräte und Zubehörteile oder die Ausführung von Arbeiten mit diesem Gerät, die nicht der bestimmungsgemäßen Verwendung entsprechen, kann zu Unfallgefahren führen.

### 12. Kontrollieren Sie Ihr Gerät auf Beschädigungen!

Überprüfen Sie das Gerät und das Netzkabel vor der Arbeit auf Beschädigungen. Überprüfen Sie, ob alle beweglichen Teile richtig montiert sind, ob keine Teile gebrochen sind, ob keine Schutzvorrichtungen und Schalter beschädigt sind, und ob irgendwelche andere Schäden den einwandfreien Betrieb des Gerätes beeinträchtigen könnten. Vergewissern Sie sich, daß das Gerät ordnungsgemäß funktionieren wird. Verwenden Sie das Gerät nicht, wenn irgendein Teil defekt ist. Verwenden Sie das Gerät nicht, wenn der Ein-/Aus-Schalter nicht funktioniert. Lassen Sie defekte Teile immer von einer unserer Kundendienstwerkstätten reparieren oder austauschen. Versuchen Sie nie, das Gerät selber zu reparieren. Falls das Netzkabel beschädigt ist, ist es von einer autorisierten Reparaturwerkstatt auszutauschen, um Gefahren vorzubeugen.

**13. Ziehen Sie den Netzstecker!**

Ziehen Sie den Netzstecker, wenn Sie das Gerät nicht benutzen, bevor Sie irgendwelche Werkzeuge, Zubehörteile oder Geräteteile auswechseln und bevor Sie irgendwelche Wartungsarbeiten vornehmen.

**14. Vermeiden Sie ein unbeabsichtigtes Einschalten!**

Tragen Sie das Gerät nicht mit dem Finger am Ein-/Aus-Schalter. Vergewissern Sie sich, daß das Gerät ausgeschaltet ist, wenn Sie es an die Stromversorgung anschließen.

**15. Behandeln Sie das Kabel sorgfältig!**

Tragen Sie das Gerät nicht am Kabel und benutzen Sie das Kabel nicht, um den Stecker aus der Steckdose zu ziehen. Schützen Sie das Kabel vor Hitze, Öl und scharfen Kanten.

**16. Bewahren Sie Ihre Geräte sicher auf!**

Unbenutzte Geräte sind an einem trockenen, für Kinder nicht erreichbaren Ort aufzubewahren.

**17. Pflegen Sie Ihre Geräte mit Sorgfalt!**

Halten Sie Schneidwerkzeuge scharf und sauber, um gut und sicher arbeiten zu können. Befolgen Sie die Wartungsvorschriften und die Hinweise für den Werkzeugwechsel. Halten Sie Handgriffe und Schalter trocken, sauber und frei von Öl und Fett.

**18. Reparaturen:**

Dieses Gerät entspricht den einschlägigen Sicherheitsvorschriften. Reparaturen sind nur von autorisierten Fachkräften und mit Original-Ersatzteilen vorzunehmen; andernfalls kann Unfallgefahr für den Betreiber entstehen.

**Zusätzliche Sicherheitshinweise für Heckenscheren**



Tragen Sie bei der Verwendung dieses Geräts eine Schutzbrille!



Tragen Sie bei der Verwendung dieses Geräts Handschuhe!



Tragen Sie bei der Verwendung dieses Geräts einen Gehörschutz!



Falls das Netzkabel durchgeschnitten wird oder beschädigt ist, ziehen Sie sofort den Netzstecker.



Setzen Sie das Gerät keinem Regen oder hoher Feuchtigkeit aus.

- ◆ Halten Sie bei der Arbeit mit diesem Gerät das Netzkabel von den Messern fern.
- ◆ Falls Sie noch nie zuvor eine Heckenschere benutzt haben, lassen Sie sich möglichst von einem erfahrenen Benutzer einweisen. Lesen Sie darüber hinaus diese Anleitung sorgfältig durch.
- ◆ Berühren Sie niemals die Messer, während das Gerät läuft.
- ◆ Versuchen Sie nie, die Messer mit Gewalt zum Stillstand zu bringen.
- ◆ Legen Sie das Gerät nicht nieder, bevor die Messer zum Stillstand gekommen sind.
- ◆ Prüfen Sie die Messer regelmäßig auf Beschädigung und Abnutzung. Verwenden Sie das Gerät nicht, wenn die Messer abgenutzt oder beschädigt sind.
- ◆ Sorgen Sie dafür, daß Sie beim Schneiden nicht auf harte Objekte (z.B. Metalldraht, Gitter) stoßen. Sollten Sie versehentlich doch auf einen harten Gegenstand stoßen, schalten Sie das Gerät sofort aus und überprüfen es auf etwaige Beschädigungen.
- ◆ Sollte das Gerät plötzlich stark vibrieren, schalten Sie es sofort aus und überprüfen es auf etwaige Beschädigungen.
- ◆ Wenn das Gerät sich festfährt, schalten Sie es sofort aus. Ziehen Sie den Netzstecker, bevor Sie versuchen, die Blockierung zu beseitigen.
- ◆ Nach dem Gebrauch bringen Sie die im Lieferumfang enthaltene Messerhülle auf den Messern an. Räumen Sie das Gerät ein und vergewissern Sie sich, daß die Messerhülle angebracht ist.
- ◆ Vergewissern Sie sich vor dem Gebrauch immer, daß alle Schutzvorrichtungen ordnungsgemäß montiert sind. Versuchen Sie nie, ein Gerät zu verwenden, von dem Teile fehlen oder an dem unbefugte Änderungen vorgenommen wurden.
- ◆ Verbieten Sie Kindern die Verwendung des Gerätes.

## ELEKTRISCHE SICHERHEIT

Der Elektromotor wurde für nur eine bestimmte Spannung konzipiert. Überprüfen Sie deswegen, ob die Netzspannung der auf dem Typenschild angegebenen Spannung entspricht.



Dieses Gerät ist zweifach isoliert; eine Erdleitung ist somit nicht erforderlich.

**CH**

**Bei Ersatz des Netzkabels achten Sie auf Verwendung des Schweizer Netzsteckers: Typ 11 für Geräte Klasse II (Doppelisolierung)**

## Verwendung eines Verlängerungskabels

Verwenden Sie immer ein zugelassenes Verlängerungskabel, das für die Leistungsaufnahme des Geräts ausreichend ist (vgl. technische Daten). Das Verlängerungskabel muß sich für den Einsatz im Freien eignen und entsprechend gekennzeichnet sein. Der Mindest-Leiterquerschnitt beträgt 1,5 mm<sup>2</sup>. Rollen Sie das Kabel bei Verwendung einer Kabelrolle immer völlig aus.

## INHALT DER VERPACKUNG

Die Verpackung enthält:

- 1 Heckenschere
- 1 Messerhülle
- 1 Handschutz
- 2 Schrauben
- 1 Bedienungsanleitung

- ◆ Packen Sie sorgfältig alle Teile aus.
- ◆ Bitte beachten Sie, daß je nach der an einer Buchstabenfolge hinter der Katalognummer erkenntlichen Geräteausführung weitere Teile im Lieferumfang enthalten sein können.

## GERÄTEBESCHREIBUNG (Abb. A)

- 1. Zweithandschalter
- 2. Betriebsschalter
- 3. Vorderer Handgriff
- 4. Handschutz
- 5. Messer
- 6. Messerhülle

## MONTAGE



Vergewissern Sie sich vor der Montage, daß das Gerät ausgeschaltet ist und daß der Netzstecker gezogen wurde.

Bringen Sie die Messerhülle über den Messern an.

Für die Montage benötigen Sie einen Posidrive-Schraubendreher Nr. 2.

## Montieren des Handschutzes (Abb. B)

- ◆ Bringen Sie den Handschutz (4) gemäß der Abbildung auf dem Gerät an.
- ◆ Befestigen Sie den Handschutz mit Hilfe der beiden im Lieferumfang enthaltenen Schrauben.



Verwenden Sie das Gerät nie ohne den Handschutz.

## Anschließen an die Stromversorgung (Abb. C)

Falls das Gerät nicht mit einem Netzkabel versehen ist, müssen Sie ein Verlängerungskabel mit den Netzanschluß verbinden.

- ◆ Schließen Sie die Steckerbuchse eines geeigneten Verlängerungskabels an den Netzanschluß an.
- ◆ Haken Sie eine Schleife des Verlängerungskabels wie abgebildet hinter die Zugentlastung (7), damit das Verlängerungskabel sich während des Gebrauchs nicht lösen kann.
- ◆ Stecken Sie den Netzstecker in eine Steckdose.



Das Verlängerungskabel muß für den Einsatz im Freien geeignet sein.

## GEBRAUCH



- ◆ Beschleunigen Sie den Arbeitsvorgang nicht mit Gewalt. Vermeiden Sie eine Überlastung des Gerätes.
- ◆ Führen Sie das Kabel sorgfältig, damit Sie es nicht versehentlich durchschneiden. Es empfiehlt sich, das Kabel zu führen, indem Sie es über die Schulter legen.

**Ein- und Ausschalten (Abb. D)**

Aus Sicherheitsgründen ist dieses Gerät mit einer Einschaltperre versehen. Dieses System verhindert ein unbeabsichtigtes Einschalten des Gerätes und erlaubt den Betrieb nur, wenn Sie das Gerät in beiden Händen halten.

**Einschalten**

- ◆ Betätigen Sie den Zweithandschalter (1) und den Betriebsschalter (2).

**Ausschalten**

- ◆ Lassen Sie den Zweithandschalter (1) oder den Betriebsschalter (2) los.



Versuchen Sie nie, einen Schalter in eingeschaltetem Zustand zu verriegeln.

**Hinweise für optimale Arbeitsergebnisse**

- ◆ Neigen Sie das Gerät ein wenig (max. 15° von der Schnittlinie), so daß die Messerspitzen mehr in Richtung der Hecke zeigen (Abb. E). So schneiden die Messer besser.
- ◆ Schneiden Sie zuerst die Oberseite der Hecke. Halten Sie das Gerät im gewünschten Winkel und bewegen Sie es gleichmäßig entlang der Schnittlinie. Da die Messer an beiden Seiten schneiden, können Sie sowohl nach links als auch nach rechts schneiden.
- ◆ Um einen sehr geraden Schnitt zu erzielen, spannen Sie auf der gewünschten Höhe einen Faden über die gesamte Breite der Hecke. Verwenden Sie den Faden als Richtschnur, indem Sie unmittelbar oberhalb des Fadens schneiden.
- ◆ Um flache Seiten zu erhalten, schneiden Sie aufwärts. Wenn die Messer nach unten schneiden, bewegen sich jüngere Zweige nach außen. Dies führt zu schmalen Fetzen in der Hecke.
- ◆ Sorgen Sie dafür, daß Sie nicht auf Fremdkörper stoßen. Sorgen Sie vor allem dafür, daß Sie nicht auf harte Objekte wie Metalldraht und Gitter stoßen, da dies zu einer Beschädigung der Messer führen kann.
- ◆ Schmieren Sie die Messer regelmäßig mit Öl ein.

**Wann sollte man schneiden**

- ◆ Im allgemeinen sind Hecken, die ihr Laub im Herbst verlieren, im Juni und im Oktober zu schneiden.
- ◆ Immergrüne Hecken sind im April und im August zu schneiden.
- ◆ Koniferen und andere schnell wachsende Straucharten können ab Mai etwa alle 6 Wochen geschnitten werden.

**WARTUNG**

Ihr Black & Decker Gerät wurde für eine lange Lebensdauer und einen möglichst geringen Wartungsaufwand entwickelt. Ein dauerhafter, einwandfreier Betrieb setzt eine regelmäßige Reinigung voraus.



Bevor Sie irgendwelche Wartungsarbeiten vornehmen, schalten Sie das Gerät aus und ziehen Sie den Netzstecker.

- ◆ Reinigen Sie nach dem Gebrauch vorsichtig die Messer. Geben Sie nach dem Reinigen zum Schutz vor Korrosion ein wenig Maschinenöl auf die Messer.
- ◆ Reinigen Sie regelmäßig die Lüftungsschlitze im Gerät mit Hilfe einer weichen Bürste oder eines trockenen Tuches.
- ◆ Reinigen Sie regelmäßig das Motorgehäuse mit Hilfe eines feuchten Tuches. Verwenden Sie keine scheuernden Reinigungsmittel oder Reinigungsmittel auf Lösungsmittelbasis.

**UMWELTSCHUTZ**

Black & Decker nimmt Ihre ausgedienten Black & Decker Geräte gern zurück und sorgt für eine umweltfreundliche Entsorgung. Diese Dienstleistung ist für Sie kostenlos. Um diese Dienstleistung in Anspruch zu nehmen, geben Sie das Gerät bitte bei einer autorisierten Reparaturwerkstatt ab, die für uns die Einsammlung übernimmt.

Die Adresse des zuständigen Büros von Black & Decker finden Sie in dieser Anleitung, darüber läßt sich die nächstgelegene Vertragswerkstatt ermitteln. Außerdem ist eine Liste der Vertragswerkstätten und aller Kundendienststellen von Black & Decker sowie der zuständigen Ansprechpartner im Internet zu finden unter: [www.2helpU.com](http://www.2helpU.com).

## GARANTIE

Black & Decker vertraut auf die Qualität der eigenen Geräte und bietet dem Käufer eine außergewöhnliche Garantie. Diese Garantiezusage versteht sich unbeschadet der gesetzlichen Gewährleistungsansprüche und schränkt diese keinesfalls ein. Sie gilt in sämtlichen Mitgliedsstaaten der Europäischen Union und der Europäischen Freihandelszone EFTA.

Tritt innerhalb von 24 Monaten ab Kaufdatum an einem Gerät von Black & Decker ein auf Material- oder Verarbeitungsfehler zurückzuführender Mangel auf, garantiert Black & Decker den Austausch defekter Teile, die Reparatur von Geräten mit üblichem Verschleiß bzw. den Austausch eines mangelhaften Geräts, ohne den Kunden dabei mehr als unbedingt nötig in Anspruch zu nehmen, allerdings vorbehaltlich folgender Ausnahmen:

- ◆ wenn das Gerät gewerblich, beruflich oder im Verleihgeschäft benutzt wurde;
- ◆ wenn das Gerät mißbräuchlich verwendet oder mit mangelnder Sorgfalt behandelt wurde;
- ◆ wenn das Gerät durch irgendwelche Fremdeinwirkung beschädigt wurde;

- ◆ wenn ein unbefugter Reparaturversuch durch anderes Personal als das einer Vertragswerkstatt oder des Black & Decker-Kundendienstes unternommen wurde.

Zur Inanspruchnahme dieser Garantie ist dem Verkäufer bzw. der Vertragswerkstatt ein Kaufnachweis vorzulegen. Die Adresse des zuständigen Büros von Black & Decker steht in dieser Anleitung, darüber läßt sich die nächstgelegene Vertragswerkstatt ermitteln. Außerdem ist eine Liste der Vertragswerkstätten und aller Kundendienststellen von Black & Decker sowie der zuständigen Ansprechpartner im Internet zu finden unter:

[www.2helpU.com](http://www.2helpU.com).

## WEITERE GARTENGERÄTE

Black & Decker bietet ein großes Sortiment an Gartengeräten an, die die Gartenarbeit erheblich erleichtern. Für nähere Informationen zu den folgenden Geräten wenden Sie sich bitte an den Black & Decker Kundendienst (Adresse hinten in dieser Anleitung) oder an Ihren Händler.

Rasentrimmer	Kettensägen
Akku-Strauchscheren	Akku-Grasscheren
Heckenscheren	Rasenmäher
Rasenlüfter	Laubsauger
Häcksler	

Nicht alle Produkte sind in allen Ländern erhältlich.

## Technische Daten

		GT26	GT246	GT250	GT251	GT260	GT261	GT262
Spannung	V <sub>AC</sub>	230	230	230	230	230	230	230
Leistungsaufnahme	W	350	350	380	380	380	380	380
Messerbewegungen (Leerlauf)	min <sup>-1</sup>	3.800	3.800	3.800	3.800	3.800	3.800	3.800
Messerlänge	cm	41	41	41	41	51	51	51
Messeröffnung	mm	12	12	12	12	12	12	12
Messerbremszeit	Sek.	< 1	< 1	< 1	< 1	< 1	< 1	< 1
Gewicht	kg	2,4 - 2,5	2,4 - 2,5	2,4 - 2,5	2,4 - 2,5	2,4 - 2,5	2,4 - 2,5	2,4 - 2,5



# TAILLE-HAIES GT26/GT246/GT250/GT251/ GT260/GT261/GT262

## FELICITATIONS !

Vous avez choisi un outil Black & Decker. Notre objectif est de vous fournir des outils de qualité au meilleur prix. Nous espérons que vous profiterez de cet outil pendant de longues années.

## DECLARATION DE CONFORMITE CE



GT26/GT246/GT250/GT251/GT260/  
GT261/GT262

Black & Decker déclare que ces outils sont conformes aux normes:

98/37/CEE, 89/336/CEE, 73/23/CEE,  
EN 50144, EN 55014, EN 61000  
2000/14/CEE, taille-haies  $\leq 380$  W,  
Annexe V

Niveau de pression acoustique, mesuré suivant la norme 2000/14/EC:

$L_{pA}$ (pression acoustique)	dB(A)	82
$L_{WA}$ (puissance acoustique)	dB(A)	95
$L_{WA}$ (garanti)	dB(A)	99



Portez toujours des protections pour les oreilles (casque) lorsque le niveau de pression acoustique est supérieur à 85 dB(A).

Niveau de vibration main/bras selon la norme EN 50144:

$< 2,5$ m/s <sup>2</sup>
--------------------------

Kevin Hewitt

Director of Consumer Engineering  
Spennymoor, County Durham DL16 6JG,  
United Kingdom  
1-11-2003

## UTILISATION PREVUE

Votre taille-haies Black & Decker GT26/GT246/GT250/GT251/GT260/GT261/GT262 a été conçu pour la taille de haies, d'arbustes et de ronces. Cet outil a été conçu pour une utilisation exclusivement domestique.

## INSTRUCTIONS DE SECURITE

### Symboles de prévention

Les symboles suivants sont utilisés dans le présent manuel:



Risque de blessure, danger de mort ou risque de dégradation de l'outil en cas de non-respect des instructions du présent manuel.



Risque d'électrocution.



Lire le manuel avant d'utiliser l'outil.

### Découvrez votre outil



- ◆ **Attention!** Lors de l'utilisation d'outils électriques, observez les consignes de sécurité fondamentales, y compris celles qui suivent afin de réduire les risques d'incendie, de décharges électriques, de blessures et de dommages matériels.
- ◆ Lisez et observez attentivement les instructions avant d'utiliser l'outil.
- ◆ Avant d'utiliser l'outil, assurez-vous de savoir comment mettre votre outil à l'arrêt en cas d'urgence.
- ◆ Conservez ces instructions.

## Généralités

### 1. Tenez compte des conditions ambiantes

N'exposez pas l'outil à la pluie. N'exposez pas l'outil à l'humidité. Veillez à ce que l'aire de travail soit bien éclairée. N'utilisez pas l'outil s'il existe un risque d'incendie ou d'explosion, par exemple en présence de liquides ou de gaz inflammables. Maintenez l'aire de travail libre de déchets et d'obstacles.

### 2. Tenez les enfants éloignés

Ne laissez pas les enfants, les visiteurs ou les animaux s'approcher de l'aire de travail, toucher l'outil ou le câble d'alimentation.

### 3. Portez des vêtements de travail appropriés

Ne pas porter de vêtements flottants ou de bijoux. Ils pourraient être happés par les pièces en mouvement. Lors de travaux à l'extérieur, il est recommandé de porter des gants en caoutchouc et des chaussures à semelle antidérapante. Le cas échéant, attachez vos cheveux s'ils sont longs, ou couvrez vous la tête.

### 4. Protection

Portez toujours des lunettes de protection. Portez des lunettes de protection et un masque pour protéger le visage si le travail exécuté produit de la poussière ou des copeaux volants. Portez des protections auditives lorsque le niveau sonore se révèle gênant.

### 5. Protégez-vous des décharges électriques.

Évitez de toucher des surfaces reliées à la terre (p.e. grillages métalliques, lampadaires, etc.) Utilisez un interrupteur de protection contre les courants de court-circuits à haute sensibilité (30 mA/30 mS) pour améliorer la sécurité électrique.

### 6. Adoptez une position confortable

Toujours tenir les deux pieds à terre et garder l'équilibre.

### 7. Faites preuve de vigilance

Observez votre travail. Faites preuve de bon sens. Ne pas employer l'outil en cas de fatigue.

### 8. Fixez bien la pièce à travailler

Pour plus de sécurité, fixez la pièce à travailler avec un dispositif de serrage ou un étau. Ainsi, vous aurez les deux mains libres pour manier l'outil.

### 9. Enlevez les clés et outils de réglage

Avant de mettre l'outil en marche, retirez les clés et outils de réglage.

### 10. Rallonges

Vérifiez la rallonge avant de l'utiliser et remplacez-la en cas de dommage. Utilisez exclusivement des rallonges pour l'extérieur.

### 11. Utilisez l'outil adéquat

Le domaine d'utilisation de l'outil est décrit dans le présent manuel. Ne pas utiliser d'outils ou d'accessoires de trop faible puissance pour exécuter des travaux lourds. L'utilisation d'accessoires autres que ceux recommandés dans le présent manuel pourrait entraîner un risque de blessure. Ne forcez pas l'outil. Attention! Utilisez l'outil conformément à sa destination.

### 12. Contrôlez les dommages éventuels de votre outil

Avant d'utiliser l'outil et le câble d'alimentation, vérifiez soigneusement qu'ils ne sont pas endommagés. Vérifiez l'alignement des pièces en mouvement, leur prise et toute rupture de pièces, tout dommage des protections et des interrupteurs et toute autre condition pouvant affecter le fonctionnement de l'outil. Veillez à ce que l'outil fonctionne correctement et qu'il exécute les tâches pour lesquelles il est prévu. Ne pas utiliser l'outil si une pièce est défectueuse. Ne pas utiliser l'outil si l'interrupteur marche/arrêt ne fonctionne pas. Faites réparer ou échangez toute pièce endommagée par un service de réparation agréé. Ne tentez jamais de le réparer vous-même. Si le câble d'alimentation est endommagé, il doit être remplacé par un réparateur agréé pour éviter tout accident.

### 13. Débranchez l'outil

Débranchez l'outil lorsque l'outil n'est pas utilisé, avant de changer toute pièce de l'outil ou tout accessoire et avant de procéder à l'entretien.

### 14. Évitez tout démarrage involontaire

Ne portez pas l'outil avec un doigt sur l'interrupteur marche/arrêt. Assurez-vous que l'outil est en position d'arrêt avant de le brancher.

**15. Ne tirez pas sur le câble d'alimentation**

Ne portez jamais l'outil par le câble et ne tirez pas sur celui-ci pour le débrancher de la prise. Préservez le câble de la chaleur, de l'huile et des arêtes tranchantes.

**16. Rangez vos outils dans un endroit sûr**

Lorsque vous n'utilisez pas vos outils, rangez-les dans un endroit sec, fermé ou élevé, hors de portée des enfants.

**17. Entretenez vos outils avec soin**

Maintenez vos outils affûtés et propres afin de travailler mieux et plus sûrement. Suivez les instructions d'entretien et de changement d'accessoires. Maintenez les poignées et les interrupteurs secs, propres et exempts d'huile et de graisse.

**18. Réparations**

Cet outil est conforme aux conditions de sécurité requises. Les réparations devront uniquement être effectuées par des personnes qualifiées utilisant des pièces de rechange d'origine ; en cas contraire, cela se révélerait très dangereux pour l'utilisateur.

**Instructions de sécurité supplémentaires pour les taille-haies**

Portez des lunettes de sécurité lorsque vous utilisez cet outil.



Portez des gants lorsque vous utilisez cet outil.



Portez des protections auditives lorsque vous utilisez cet outil.



Débranchez immédiatement le câble s'il est endommagé ou coupé.



N'exposez pas l'outil à la pluie ou à l'humidité.

- ◆ Veillez à garder le câble éloigné des lames lorsque vous utilisez cet outil.
- ◆ Si vous n'avez jamais utilisé de taille-haie, demandez de préférence à un utilisateur expérimenté de vous donner des instructions pratiques et étudiez attentivement ce manuel.

- ◆ Ne touchez jamais les lames lorsque l'outil fonctionne.
- ◆ Ne tentez jamais de forcer sur les lames pour qu'elles s'arrêtent.
- ◆ Ne posez pas l'outil avant que les lames ne se soient complètement arrêtées.
- ◆ Vérifiez régulièrement si les lames ne sont pas endommagées ou usées. N'utilisez pas l'outil lorsque les lames sont usées ou endommagées.
- ◆ Veillez à éviter les objets durs (par ex. fil de fer, clôtures) lorsque vous procédez à la taille. Si vous heurtiez accidentellement un tel objet, éteignez immédiatement l'outil et vérifiez qu'aucun dommage ne s'est produit.
- ◆ Si l'outil commençait à vibrer de façon anormale, arrêtez-le immédiatement et vérifiez qu'aucun dommage ne s'est produit.
- ◆ Si l'outil calait, éteignez-le immédiatement. Débranchez l'outil avant d'essayer de retirer tout débris pouvant l'obstruer.
- ◆ Après utilisation, placez l'étui de protection fourni sur les lames. Rangez l'outil et veillez à ce que la lame ne soit pas découverte.
- ◆ Veillez à ce que les protections soient toutes installées lorsque vous utilisez l'outil. N'utilisez pas un outil incomplet ou modifié de façon non autorisée.
- ◆ Ne permettez pas aux enfants d'utiliser l'outil.

**SECURITE ELECTRIQUE**

Le moteur électrique a été conçu pour une seule tension. Vérifiez que la tension secteur correspondre à la tension indiquée sur la plaque d'identification.



Cet outil a une double isolation; un branchement à une prise de terre n'est donc pas nécessaire.



**Toujours utiliser la fiche prescrite lors du remplacement du câble d'alimentation. Type 11 pour la classe II - double isolation**

## Câbles de rallonge

Utilisez un câble de rallonge adapté à la puissance absorbée de cet outil (voir les caractéristiques techniques). A l'extérieur, n'utilisez que des câbles de rallonge homologués portant le marquage correspondant. La section minimum du conducteur est de 1,5 mm<sup>2</sup>. En cas d'utilisation d'un dévidoir, déroulez toujours le câble complètement.

## CONTENU DE LA BOITE

La boîte contient :

- 1 Taille-haies
- 1 Étui de protection des lames
- 1 Carter protecteur
- 2 Vis
- 1 Manuel d'instructions

- ◆ Déballez soigneusement toutes les pièces.
- ◆ La boîte peut contenir encore d'autres articles, en fonction de la lettre qui figure après le numéro de catalogue de votre outil.

## APERÇU (fig. A)

1. Interrupteur de la poignée avant
2. Interrupteur de mise en marche
3. Poignée avant
4. Carter protecteur
5. Lame
6. Étui de protection des lames

## ASSEMBLAGE



Avant l'assemblage, assurez-vous que l'outil est éteint et débranché.

Installez l'étui de protection sur les lames.

Munissez-vous d'un tournevis à pointe cruciforme (Pozidriv) numéro 2 pour le montage.

### Mise en place du carter protecteur (fig. B)

- ◆ Placez le carter protecteur (4) sur l'outil selon le schéma.
- ◆ Fixez le carter protecteur à l'aide des deux vis fournies.



N'utilisez pas l'outil sans carter protecteur.

### Branchement de l'outil au secteur (fig. C)

Si l'outil n'est pas équipé d'un câble au secteur, vous devez le brancher à la prise électrique à l'aide d'un fil de rallonge .

- ◆ Branchez la prise femelle d'un fil de rallonge adapté à l'entrée d'alimentation électrique.
- ◆ Entourez la rallonge avec le bloque-câble (7) comme l'indique l'illustration pour l'empêcher de se détacher pendant l'utilisation.
- ◆ Branchez la prise mâle du câble au secteur.



Le câble de rallonge doit être adapté pour le travail en extérieur.

## UTILISATION



Laissez l'outil fonctionner à sa propre vitesse. Ne le surchargez pas.

- ◆ Guidez le câble avec soin pour ne pas le couper par mégarde. Passez le câble sur votre épaule pour le maintenir bien en place.

### Démarrage et arrêt (fig. D)

Pour des raisons de sécurité, cet outil est équipé d'un système d'interrupteur double. Ce système empêche un démarrage involontaire de l'outil et ne permettra à l'outil de fonctionner que lorsqu'il est tenu des deux mains.

#### Démarrage

- ◆ Appuyez simultanément sur l'interrupteur de la poignée avant (1) et sur l'interrupteur de mise en marche (2).

#### Arrêt

- ◆ Relâchez l'interrupteur de la poignée avant (1) ou l'interrupteur de mise en marche (2).



N'essayez jamais de bloquer l'interrupteur en position de marche.

### Conseils pour une utilisation optimale

- ◆ Inclinez légèrement l'outil (jusqu'à 15° par rapport à la ligne de coupe) afin que l'extrémité des lames pointent légèrement vers la haie (fig. E). Cela permettra aux lames de couper de façon plus efficace.
- ◆ Commencez par tailler le haut de la haie. Tenez l'outil à l'angle désiré et déplacez-le régulièrement le long de la ligne de coupe. La lame à double tranchant vous permet de couper dans les deux sens.
- ◆ Afin d'obtenir une coupe très droite, tendez un bout de ficelle sur la longueur de la haie à la hauteur désirée. Utilisez la ficelle comme guide, et coupez juste au-dessus d'elle.
- ◆ Pour obtenir des côtés plats, coupez la végétation de bas en haut. Les tiges plus jeunes vont vers l'extérieur lorsque la lame coupe de haut en bas et cela produit des trous sur la surface de la haie.
- ◆ Veillez à éviter tout corps étranger. Évitez en particulier tout objet dur tel que le fil de fer et les clôtures qui pourraient endommager les lames.
- ◆ Graissez régulièrement les lames.

### Quand tailler ?

- ◆ Taillez les haies à feuillage non persistant en juin et en octobre.
- ◆ Taillez les feuillages persistants en avril et en août.
- ◆ Les conifères peuvent être taillés toutes les 6 semaines de mai à octobre.

### ENTRETIEN

Votre outil Black & Decker a été conçu pour fonctionner durablement avec un minimum d'entretien. Un fonctionnement continu satisfaisant dépend d'un nettoyage régulier et d'un entretien de l'outil approprié.



Avant d'effectuer tout entretien, éteignez et débranchez l'outil.

- ◆ Après utilisation, nettoyez soigneusement les lames. Après les avoir nettoyées, appliquez une fine couche d'huile de machine pour éviter que les lames ne rouillent.

- ◆ Nettoyez régulièrement les orifices de ventilation de votre outil à l'aide d'une brosse douce ou d'un chiffon sec.
- ◆ Nettoyez régulièrement le carter du moteur à l'aide d'un chiffon humide. N'utilisez pas de produit abrasif ou à base de solvant.

### PROTECTION DE L'ENVIRONNEMENT



Black & Decker fournit un dispositif permettant de recycler les produits Black & Decker lorsqu'ils ont atteint la fin de leur cycle de vie. Ce service est gratuit. Pour pouvoir profiter de ce service, veuillez retourner votre produit à un réparateur agréé qui se chargera de le collecter pour nous.

Pour connaître l'adresse du réparateur agréé le plus proche de chez vous, contactez le bureau Black & Decker à l'adresse indiquée dans ce manuel. Vous pourrez aussi trouver une liste des réparateurs agréés de Black & Decker et de plus amples détails sur notre service après-vente sur le site Internet à l'adresse suivante :

[www.2helpU.com](http://www.2helpU.com).

### GARANTIE

Black & Decker est confiant dans la qualité de ses produits et vous offre une garantie très étendue. Ce certificat de garantie est un document supplémentaire et ne peut en aucun cas se substituer à vos droits légaux. La garantie est valable sur tout le territoire des Etats Membres de l'Union Européenne et de la Zone de Libre Echange Européenne.

Si un produit Black & Decker s'avère défectueux en raison de matériaux en mauvaises conditions, d'une erreur humaine, ou d'un manque de conformité dans les 24 mois suivant la date d'achat, Black & Decker garantit le remplacement des pièces défectueuses, la réparation des produits usés ou cassés ou remplace ces produits à la convenance du client, sauf dans les circonstances suivantes :

- ◆ Le produit a été utilisé dans un but commercial, professionnel, ou a été loué.
- ◆ Le produit a été mal utilisé ou avec négligence.
- ◆ Le produit a subi des dommages à cause d'objets étrangers, de substances ou à cause d'accidents.
- ◆ Des réparations ont été tentées par des techniciens ne faisant pas partie du service technique de Black & Decker.

Pour avoir recours à la garantie, il est nécessaire de fournir une preuve d'achat au vendeur ou à un réparateur agréé. Pour connaître l'adresse du réparateur agréé le plus proche de chez vous, contactez le bureau Black & Decker à l'adresse indiquée dans ce manuel.

Vous pourrez aussi trouver une liste des réparateurs agréés de Black & Decker et de plus amples détails sur notre service après-vente sur le site Internet à l'adresse suivante :

**www.2helpU.com.**

## AUTRES OUTILS DE JARDINAGE

Black & Decker propose une gamme complète d'outils de jardinage facilitant l'entretien du jardin. Si vous souhaitez obtenir de plus amples renseignements sur les produits suivants, veuillez contacter notre Centre de Service et d'Information (voir la page d'adresse à la fin de ce manuel) ou vous adresser à votre revendeur Black & Decker le plus proche.

Tronçonneuses  
Cisaille à gazon sans fil  
Coupes bordures  
Tailles-haies à fil ou sans fil  
Tondeuses  
Aspirateur / souffleur / broyeur  
Broyeurs  
Aérateur Démousseur

Tous les produits ne sont pas disponibles dans tous les pays.

## Caractéristiques techniques

	GT26	GT246	GT250	GT251	GT260	GT261	GT262
Tension	V <sub>AC</sub> 230	230	230	230	230	230	230
Puissance absorbée	W 350	350	380	380	380	380	380
Déplacement des lames (sans charge)	min <sup>-1</sup> 3.800	3.800	3.800	3.800	3.800	3.800	3.800
Longueur des lames	cm 41	41	41	41	51	51	51
Écart des lames	mm 12	12	12	12	12	12	12
Délai d'arrêt des lames	s < 1	< 1	< 1	< 1	< 1	< 1	< 1
Poids	kg 2,4 - 2,5	2,4 - 2,5	2,4 - 2,5	2,4 - 2,5	2,4 - 2,5	2,4 - 2,5	2,4 - 2,5

# TAGLIASIEPI GT26/GT246/GT250/GT251/ GT260/GT261/GT262

## CONGRATULAZIONI!

Lei ha scelto un utensile Black & Decker. Il nostro obiettivo è fornire utensili di qualità ad un prezzo contenuto. Desideriamo che questo utensile sia di suo gradimento e lo possa usare per molti anni.

## DICHIARAZIONE CE DI CONFORMITÀ



GT26/GT246/GT250/GT251/GT260/  
GT261/GT262

Black & Decker dichiara che questi utensili sono stati costruiti in conformità a: 98/37/CEE, 89/336/CEE, 73/23/CEE, EN 50144, EN 55014, EN 61000 2000/14/CEE, tagliasiepi ≤ 380 W, Annex V

Livello di rumorosità, dati ricavati in base alla norma 2000/14/EC:

$L_{pA}$	(rumorosità)	dB(A)	82
$L_{WA}$	(potenza sonora)	dB(A)	95
$L_{WA}$	(garantito)	dB(A)	99



Prendere appropriate misure a protezione dell'udito qualora il livello acustico superasse gli 85 dB(A).

Il valore medio quadratico ponderato dell'accelerazione secondo EN 50144:

< 2,5 m/s<sup>2</sup>

Kevin Hewitt

Director of Consumer Engineering  
Spennymoor, County Durham DL16 6JG,  
United Kingdom  
1-11-2003

## USO PROGETTATO

Il vostro tagliasiepi Black & Decker GT26/GT246/GT250/GT251/GT260/GT261/GT262 è stato progettato per tagliare siepi, cespugli e fronde. L'utensile è stato progettato per un uso individuale.

## ISTRUZIONI DI SICUREZZA

### Simboli di sicurezza

I seguenti simboli vengono usati nel presente manuale:



Indica rischio di infortunio, pericolo di morte o danno all'apparecchio qualora non ci si attenga alle istruzioni contenute nel presente manuale.



Indica pericolo di scossa elettrica.



Leggere attentamente il manuale prima di utilizzare l'utensile.

### Conoscere l'utensile



- ◆ **Attenzione!** Quando si impiegano utensili alimentati elettricamente, per ridurre il rischio di incendio, di scosse elettriche e danni a persone e cose è necessario seguire sempre delle precauzioni di sicurezza basilari, incluso le seguenti:
  - ◆ Leggere attentamente le seguenti istruzioni prima di utilizzare l'utensile.
  - ◆ Prima di far funzionare l'utensile, assicuratevi di conoscere come spegnere l'utensile in caso di emergenza.
  - ◆ Conservare con cura le istruzioni!

**Norme generali****1. Tener presenti le caratteristiche dell'ambiente di lavoro**

Non lasciare l'utensile sotto la pioggia. Non usare l'utensile in ambienti carichi di umidità. Tenere ben illuminata l'area di lavoro. Non usare l'utensile quando vi sia rischio di provocare un incendio o una esplosione, per es. in luoghi con atmosfera gassosa o infiammabile. Mantenere l'area di lavoro libera da ostacoli e pulita.

**2. Tenere i bambini lontani dall'area di lavoro**

Non permettere a bambini, altre persone o animali di avvicinarsi alla zona di lavoro, toccare l'utensile o il cavo di alimentazione.

**3. Usare il vestiario appropriato**

Evitare l'uso di abiti svolazzanti, catenine, ecc. in quanto potrebbero rimanere impigliati nelle parti mobili dell'utensile. Lavorando all'aperto indossare guanti di gomma e scarpe con soles antisdrucciolo. Raccogliere i capelli se si portano lunghi.

**4. Protezione personale**

Indossate occhiali di sicurezza. Indossate una mascherina contro la polvere ogni volta che l'uso dell'utensile provochi polvere o schegge. Indossate cuffie acustiche quando consideriate che il livello acustico sia troppo alto.

**5. Fare attenzione alle scosse elettriche**

Evitare il contatto con le superfici messe a terra (ad esempio guide metalliche, steli di lampade ecc.). La sicurezza elettrica può essere ulteriormente ampliata utilizzando un dispositivo a corrente residua (RCD) ad alta sensibilità (30 mA/30 mS).

**6. Non sbilanciarsi**

Mantenere sempre un buon equilibrio evitando posizioni malsicure.

**7. Stare sempre attenti**

Prestare attenzione a quanto si sta facendo. Usare il proprio buon senso. Non utilizzare l'utensile quando si è stanchi.

**8. Bloccare il pezzo da lavorare**

In caso di necessità, usare pinze o morse per bloccare il pezzo da lavorare. Ciò aumenta la sicurezza e consente di mantenere entrambe le mani libere per operare meglio.

**9. Non lasciare sull'utensile chiavi o strumenti di misura**

Prima di mettere in funzione l'utensile abbiate cura di togliere chiavi e altri strumenti.

**10. Prolungha**

Ispezionare la prolungha prima dell'uso e sostituirla se è danneggiata. Utilizzare solo prolungha destinate all'uso in ambienti esterni.

**11. Usare l'utensile adatto**

L'utilizzo previsto è indicato nel presente manuale. Non forzare utensili e accessori di potenza limitata impiegandoli per lavori destinati ad utensili di maggiore potenza. Non forzare l'utensile.

**Attenzione!** L'uso di accessori o attrezzature diversi, o l'impiego del presente utensile per scopi diversi, da quelli raccomandati nel manuale d'uso possono comportare il rischio di infortuni.

**12. Controllare che non vi siano parti danneggiate**

Prima dell'uso, ispezionare accuratamente l'utensile e il cavo elettrico per rilevare eventuali danni. Controllate se ci sono parti non allineate o parti mobili con gioco, pezzi rotti, danni alle protezioni o agli interruttori e qualsiasi altra condizione che possa ripercuotere nel funzionamento dell'utensile. Assicuratevi che l'utensile funzionerà adeguatamente e che verrà impiegato per i lavori per cui è stato progettato. Non usate l'utensile se ha qualche parte difettosa. Non usate l'utensile se l'interruttore non è in grado di accenderlo o di spegnerlo. Ogni pezzo difettoso deve essere sostituito o riparato da un tecnico autorizzato. Non riparatelo voi stessi. Se il cavo di alimentazione è danneggiato, per evitare situazioni pericolose è necessario affidarne la sostituzione a un tecnico autorizzato.

**13. Estrarre la spina dalla presa di alimentazione**

Estrarre la spina dalla presa di alimentazione quando l'utensile non è in uso, o prima di cambiare pezzi, accessori o complementi o prima di eseguire lavori di manutenzione.

**14. Evitate di avviare l'utensile quando non è necessario**

Non portate l'utensile con il dito sull'interruttore. Prima di collegare l'utensile alla presa, verificare che sia spento.



**15. Non forzate il cavo di collegamento elettrico**

Non sostenere mai l'utensile mediante il cavo né tirare quest'ultimo per estrarne la spina dalla presa. Mantenete il cavo lontano da fonti di calore, olio e spigoli taglienti.

**16. Custodia dell'elettro utensile dopo l'uso**

Quando non vengono usati, gli utensili vanno conservati in un luogo asciutto e inaccessibile (sottochiave o in alto), fuori dalla portata dei bambini.

**17. Mantenere l'utensile con cura**

Mantenere gli utensili da taglio affilati e puliti in modo da ottenere una miglior e più sicura resa. Seguire le istruzioni di manutenzione e cambio di accessori. Mantenere le impugnature e gli interruttori asciutti, puliti e senza tracce di olio o grassi.

**18. Riparazioni**

Questo utensile è conforme ai relativi requisiti di sicurezza. Le riparazioni devono essere eseguite soltanto da personale qualificato e con pezzi di ricambio originali; altrimenti può comportare un grave rischio per l'utente.

**Istruzioni aggiuntive di sicurezza per tagliaiepi**

Indossate sempre occhiali di protezione quando fate funzionare questo utensile.



Indossate guanti quando fate funzionare questo utensile.



Indossate sempre protezioni acustiche quando fate funzionare questo utensile.



Disinserire immediatamente il cavo dalla presa di corrente se è danneggiato o tagliato.



Non esponete l'utensile alla pioggia od a condizioni di alta umidità.

- ◆ Mantenere il cavo lontano dalle lame quando lo strumento è in funzione.
- ◆ Se non si è pratici di tagliaiepi, oltre a studiare questo manuale è consigliabile chiedere istruzioni pratiche ad un esperto.

- ◆ Non toccare mai le lame mentre l'utensile è in funzione.
- ◆ Non cercare di fermare le lame.
- ◆ Non lasciare per terra l'utensile fino a che le lame non si sono completamente fermate.
- ◆ Controllare regolarmente che le lame non siano danneggiate o usurate. Non usare l'utensile se le lame sono usurate o danneggiate.
- ◆ Fare attenzione a non toccare oggetti duri (p.e. fili metallici, ringhiere) durante la tosatura. Nel caso in cui si colpisca incidentalmente un oggetto di questo tipo, spegnere immediatamente l'utensile per verificare che non abbia subito danni.
- ◆ Se l'utensile si avvia in modo anomalo, spegnerlo immediatamente per verificare eventuali danni.
- ◆ Se l'utensile si ferma, spegnerlo immediatamente. Disinserire la spina dell'utensile prima di togliere eventuali ostruzioni.
- ◆ Dopo l'uso, coprire la lama con la guaina in dotazione. Conservare l'utensile assicurandosi che la lama non sia esposta.
- ◆ Quando si usa l'attrezzo, verificare sempre che siano montate tutte le protezioni. Non tentare mai di utilizzare un attrezzo privo di alcuni componenti o che sia stato sottoposto a modifiche non autorizzate.
- ◆ Vietare ai bambini l'uso dell'attrezzo.

**SICUREZZA ELETTRICA**

Il motore elettrico è stato predisposto per operare con un unico voltaggio. Assicuratevi che il voltaggio a disposizione corrisponda a quello indicato sulla targhetta.



L'utensile è fornito di doppio isolamento, per la quale non è richiesta la messa a terra.



**Per la sostituzione del cavo di alimentazione, utilizzate sempre la spina di tipo prescritto.**  
**Tip 11 per la classe II - doppio isolamento**

## Impiego di una prolunga

Utilizzate soltanto cavi di prolunga di tipo omologato e di dimensione idonee a garantire l'alimentazione elettrica dell'utensile (vedere le caratteristiche tecniche). Si faccia uso soltanto di un cavo di prolunga di tipo idoneo, appositamente previsto e contrassegnato per l'uso esterno. La dimensione minima del conduttore è 1,5 mm<sup>2</sup>. Se si utilizza un avvolgitore, estrarre il cavo per l'intera lunghezza.

### CONTENUTO DELLA SCATOLA

La scatola contiene:

- 1 Tagliasiepi
- 1 Guaina della lama
- 1 Protezione
- 2 Viti
- 1 Libretto d'istruzioni

- ◆ Disimballate con cura tutte le parti.
- ◆ Il contenuto dell'imballaggio può variare in base alle lettere del suffisso che seguono il numero di serie sull'attrezzo.

### L'INSIEME (fig. A)

1. Interruttore impugnatura frontale
2. Interruttore di accensione
3. Impugnatura anteriore
4. Protezione
5. Lama
6. Guaina della lama

### MONTAGGIO



Prima di montarlo assicuratevi che l'utensile sia spento e desinserito.

Sistemare la guaina sulle lame.

Per montarla è necessario un cacciavite Posidrive numero 2.

### Installazione della protezione (fig. B)

- ◆ Collocare la protezione (4) sull'utensile, come illustrato.
- ◆ Fissare la protezione usando le due viti in dotazione.



Non usare mai l'utensile senza la protezione.

### Connessione dell'attrezzo all'alimentazione principale (fig. C)

A meno che l'utensile non sia dotato di un cavo elettrico, è necessario collegare una prolunga all'ingresso dell'alimentazione.

- ◆ Collegare all'ingresso dell'alimentazione la femmina di una prolunga adatta allo scopo.
- ◆ Avvolgere la prolunga intorno al fermo (7) come indicato nella figura, per evitare che si stacchi durante l'uso.
- ◆ Inserire la spina dell'alimentazione principale in una presa di alimentazione principale.



La prolunga deve essere idonea per l'uso in esterno.

### IMPIEGO



- ◆ Lasciate che l'utensile lavori al proprio ritmo. Non sovraccaricarlo.
- ◆ Guidare con attenzione il cavo per evitare di tagliarlo involontariamente. Per controllare meglio il cavo vi consigliamo di farvelo passare sulla spalla.

### Avviamento e spegnimento (fig. D)

Per ragioni di sicurezza, questo utensile viene fornito con un sistema di doppi interruttori. Questo sistema evita l'avviamento accidentale dell'utensile e permette il funzionamento soltanto quando l'utensile é impugnato con entrambe le mani.

#### Avviamento

- ◆ Premere sia l'interruttore dell'impugnatura frontale (1) che l'interruttore a grilletto (2).

#### Spegnimento

- ◆ Rilasciare l'interruttore dell'impugnatura frontale (1) o l'interruttore a grilletto (2).



Non cercare di bloccare un interruttore in posizione di accensione.

### Consigli per un'ottima utilizzazione

- ◆ Inclinate leggermente l'utensile (fino a 15° rispetto alla linea di taglio) in modo che le punte della lama puntino leggermente verso la siepe (fig. E). Questo accorgimento farà sì che le lame taglino più efficacemente
- ◆ Iniziare tagliando la parte superiore della siepe. Mantenere l'utensile con l'angolatura desiderata e spostarlo con fermezza lungo la linea di taglio. La lama sui due lati permette di tagliare in qualsiasi direzione.
- ◆ Per ottenere un taglio dritto, usare una cordicella da legare all'altezza desiderata lungo tutta la siepe. Usare la cordicella come guida, tagliando appena sopra di essa.
- ◆ Per ottenere fianchi pareggiati, tagliare all'insù nel senso della crescita. I rami giovani crescono verso l'esterno quando la lama taglia all'ingiù e ciò provoca buchi nella siepe.
- ◆ Fare attenzione ad evitare qualsiasi oggetto estraneo. Evitare in particolare oggetti duri come fili di metallo e ringhiere poiché potrebbero danneggiare le lame.
- ◆ Lubrificare le lame ad intervalli regolari.

### Quando tagliare

- ◆ In linea di massima le siepi con foglie stagionali si tagliano in giugno ed ottobre.
- ◆ I sempreverdi possono essere tagliati in aprile ed agosto.
- ◆ Conifere e altre siepi a crescita rapida possono essere tagliate ogni 6 settimane circa da maggio in avanti.

### MANUTENZIONE

Il vostro utensile Black & Decker é stato progettato per funzionare durante un lungo periodo di tempo con un minimo di manutenzione. Il funzionamento continuo e soddisfacente dipende dall'adeguata cura dell'utensile e da pulizie sistematiche.



Prima di eseguire qualsiasi manutenzione, spengete l'utensile e disinseritelo dalla spina.

- ◆ Dopo l'uso, pulite con cura le lame. Dopo averle pulite applicare un po' d'olio per evitare che si arrugginiscono.
- ◆ Le fessure di ventilazione dell'utensile vanno pulite regolarmente con un pennello morbido o un panno asciutto.
- ◆ Lo scomparto del motore va pulito regolarmente con un panno umido. Non usare materiali abrasivi o detergenti a base di solventi.

### PROTEZIONE DELL'AMBIENTE



Black & Decker offre ai suoi clienti la possibilità di riciclare i prodotti Black & Decker che hanno esaurito la loro vita di servizio. Il servizio viene offerto gratuitamente. Per utilizzarlo, è sufficiente restituire il prodotto a qualsiasi tecnico autorizzato, incaricato della raccolta per conto dell'azienda.

Per individuare il tecnico autorizzato più vicino, rivolgersi alla sede Black & Decker locale, presso il recapito indicato nel presente manuale.

Altrimenti un elenco completo di tutti i tecnici autorizzati Black & Decker e i dettagli completi sui contatti e i servizi post-vendita sono disponibili su Internet presso: [www.2helpU.com](http://www.2helpU.com).

### GARANZIA

Certa della qualità dei suoi prodotti, Black & Decker offre una garanzia eccezionale. Il presente certificato di garanzia è complementare ai diritti statuari e non li pregiudica in alcun modo. La garanzia è valida entro il territorio degli Stati membri dell'Unione Europea e dell'EFTA (European Free Trade Area).

Se un prodotto Black & Decker risulta difettoso per qualità del materiale, della costruzione o per mancata conformità entro 24 mesi dalla data di acquisto, Black & Decker garantisce la sostituzione delle parti difettose, provvede alla riparazione dei prodotti se ragionevolmente usurati oppure alla loro sostituzione, in modo da ridurre al minimo il disagio del cliente a meno che:

- ◆ Il prodotto non sia stato destinato ad usi commerciali, professionali o al noleggio;
- ◆ Il prodotto non sia stato usato in modo improprio o scorretto;
- ◆ Il prodotto non abbia subito danni causati da oggetti o sostanze estranee oppure incidenti;
- ◆ Il prodotto non abbia subito tentativi di riparazione non effettuati da tecnici autorizzati né dall'assistenza Black & Decker.

Per attivare la garanzia è necessario esibire la prova comprovante l'acquisto al venditore o al tecnico autorizzato. Per individuare il tecnico autorizzato più vicino, rivolgersi alla sede Black & Decker locale, presso il recapito indicato nel presente manuale. Altrimenti un elenco completo di tutti i tecnici autorizzati Black & Decker e i dettagli completi sui contatti e i servizi post-vendita sono disponibili su Internet presso: [www.2helpU.com](http://www.2helpU.com).

## ALTRI UTENSILI DI GIARDINAGGIO

La Black & Decker ha una gamma completa di utensili per il giardinaggio che rende semplice la vita in giardino. Se desiderate ulteriori informazioni sui seguenti prodotti, vi preghiamo di contattare il nostro Centro D'Informazione e Manutenzione (vedere la pagina degli indirizzi alla fine di questo libretto d'istruzioni) od il vostro rivenditore Black & Decker

Tosatori a lame o a catena  
 Motoseghe  
 Scope elettriche  
 Tosasiepi a batteria  
 Tagliasiepi a batteria  
 Tosasiepi  
 Tosaerba  
 Rastrelli  
 Sramatori  
 Biotrituratori

Non tutti i prodotti sono disponibili in tutti i paesi.

## Dati tecnici

		GT26	GT246	GT250	GT251	GT260	GT261	GT262
Tensione	V <sub>AC</sub>	230	230	230	230	230	230	230
Potenza assorbita	W	350	350	380	380	380	380	380
Corsa lama (senza carico)	min <sup>-1</sup>	3.800	3.800	3.800	3.800	3.800	3.800	3.800
Lunghezza lama	cm	41	41	41	41	51	51	51
Separazione lama	mm	12	12	12	12	12	12	12
Tempo di arresto lama	s	< 1	< 1	< 1	< 1	< 1	< 1	< 1
Peso	kg	2,4 - 2,5	2,4 - 2,5	2,4 - 2,5	2,4 - 2,5	2,4 - 2,5	2,4 - 2,5	2,4 - 2,5

# HEGGENSCHAAR GT26/GT246/GT250/ GT251/GT260/GT261/GT262

## GEFELICITEERD!

U heeft gekozen voor een machine van Black & Decker. Ons doel is om kwaliteitsproducten te leveren tegen een betaalbare prijs. Wij vertrouwen erop dat u aan het gebruik van deze machine jarenlang plezier zult beleven.

## EG-VERKLARING VAN OVEREENSTEMMING



GT26/GT246/GT250/GT251/GT260/  
GT261/GT262

Black & Decker verklaart dat deze elektrische machines in overeenstemming zijn met: 98/37/EEG, 89/336/EEG, 73/23/EEG, EN 50144, EN 55014, EN 61000 2000/14/EEG, heggenschaar  $\leq 380$  W, Annex V

Niveau van de geluidsdruk, gemeten volgens 2000/14/EC:

$L_{pA}$ (geluidsdruk)	dB(A)	82
$L_{WA}$ (geluidsvermogen)	dB(A)	95
$L_{WA}$ (gegarandeerd)	dB(A)	99



Neem de vereiste maatregelen voor gehoorbescherming wanneer de geluidsdruk het niveau van 85 dB(A) overschrijdt.

Gewogen kwadratische gemiddelde waarde van de versnelling overeenkomstig EN 50144:

$< 2,5 \text{ m/s}^2$

Kevin Hewitt

Director of Consumer Engineering  
Spennymoor, County Durham DL16 6JG,  
United Kingdom  
1-11-2003

## GEBRUIK VOLGENS BESTEMMING

Uw Black & Decker heggenschaar GT26/GT246/GT250/GT251/GT260/GT261/GT262 is bestemd voor het knippen van heggen, struiken en heesters. Deze machine is uitsluitend bestemd voor consumentengebruik.

## VEILIGHEIDSVOORSCHRIFTEN

### Pictogrammen

In deze handleiding worden de volgende pictogrammen gebruikt:



Duidt op mogelijk lichamelijk letsel, levensgevaar of kans op beschadiging van de machine indien de instructies in deze handleiding worden genegeerd.



Geeft elektrische spanning aan.



Lees de handleiding voordat u met de machine gaat werken.

### Ken uw machine



- **Waarschuwing!** Bij het gebruik van elektrische machines dienen ter bescherming tegen brandgevaar, elektrische schokken, letsel en materiële schade altijd gepaste veiligheidsmaatregelen in acht te worden genomen, waaronder de volgende veiligheidsvoorschriften.
- Lees de gebruiksaanwijzing aandachtig door voordat u met de machine gaat werken.
- Zorg ervoor dat u voor gebruik weet hoe u de machine in geval van nood uitschakelt.
- Bewaar deze instructies zorgvuldig!

## Algemeen

- 1. Houd rekening met omgevingsinvloeden**  
Stel de machine niet bloot aan regen. Gebruik de machine niet in een vochtige of natte omgeving. Zorg dat de werkomgeving goed is verlicht. Gebruik de machine niet op plaatsen waar brand- of explosiegevaar bestaat, b.v. in de buurt van brandbare vloeistoffen of gassen. Houd de werkomgeving vrij van afval en obstakels.
- 2. Houd kinderen uit de buurt**  
Houd kinderen, bezoekers en dieren buiten het werkgebied en laat ze de machine of de elektriciteitskabel niet aanraken.
- 3. Draag geschikte werkkleding**  
Draag geen wijde kleding of loshangende sieraden. Deze kunnen door de bewegende delen worden gegrepen. Draag bij het werken buitenshuis bij voorkeur rubber werkhandschoenen en schoenen met profielzolen. Houd lang haar bijeen.
- 4. Persoonlijke bescherming**  
Draag altijd een veiligheidsbril. Draag een gezichts- of stofmasker bij werkzaamheden waarbij stofdeeltjes vrijkomen. Draag altijd gehoorbescherming als het geluidsniveau onaangenaam hoog is.
- 5. Bescherming tegen elektrische schokken**  
Vermijd aanraking van gearde oppervlakken (bijv. metalen relingen, lantaarnpalen, enz.). Elektrische veiligheid kan verder worden verbeterd met behulp van een hooggevoelige (30 mA/30 mS) reststroomschakelaar (RCD).
- 6. Zorg voor een veilige houding**  
Zorg altijd voor een juiste, stabiele houding.
- 7. Blijf voortdurend opletten**  
Houd uw aandacht bij uw werk. Ga met verstand te werk. Gebruik de machine niet als u niet geconcentreerd bent.
- 8. Klem het werkstuk goed vast**  
Gebruik waar nodig klemmen of een bankschroef om het werkstuk te fixeren. Dit is veiliger, bovendien kan de machine dan met beide handen worden bediend.
- 9. Verwijder sleutels en hulpgereedschappen**  
Controleer vóór het inschakelen altijd of sleutels en andere hulpgereedschappen zijn verwijderd.

## 10. Verlengsnoeren

Inspecteer voor gebruik het verlengsnoer. Vervang het snoer indien het beschadigd is. Gebruik uitsluitend verlengsnoeren die zijn bestemd voor gebruik buitenshuis.

## 11. Gebruik de juiste machine

Het gebruik volgens bestemming is beschreven in deze handleiding. Gebruik geen te lichte machine of hulpstukken voor te zwaar werk. De machine werkt beter en veiliger indien u deze gebruikt voor het beoogde doel. Overbelast de machine niet.

**Waarschuwing!** Gebruik ter voorkoming van lichamelijk letsel uitsluitend de in deze gebruiksaanwijzing aanbevolen accessoires en hulpstukken. Gebruik de machine uitsluitend volgens bestemming.

## 12. Controleer de machine op beschadigingen

Controleer de machine voor gebruik op schade. Controleer of alle bewegende delen correct gemonteerd zijn, of er geen onderdelen gebroken zijn, of er geen beschermkappen en schakelaars beschadigd zijn en of er andere gebreken zijn die invloed op de werking van de machine zouden kunnen hebben. Vergewis u ervan dat de machine correct werkt. Gebruik de machine niet als enig onderdeel defect is. Gebruik de machine niet als de aan/uit-schakelaar niet werkt. Defecte onderdelen dienen door een erkend servicecentrum te worden gerepareerd of vervangen.

Probeer nooit om de machine zelf te repareren. Indien het netsnoer is beschadigd, dient het ter voorkoming van gevaren te worden vervangen door een erkend servicecentrum.

## 13. De stekker uit het stopcontact verwijderen

Verwijder de stekker uit het stopcontact als u de machine niet gebruikt, voordat u gereedschappen, accessoires of onderdelen van de machine verwisselt en voordat u onderhoud aan de machine uitvoert.

## 14. Voorkom onbedoeld inschakelen

Draag de machine niet met uw vingers aan de aan/uit-schakelaar. Wees ervan verzekerd dat de machine is uitgeschakeld voordat u de stekker in het stopcontact steekt.

**15. Misbruik het snoer niet**

Draag de machine nooit aan het snoer. Trek niet aan het snoer om de stekker uit het stopcontact te verwijderen. Houd het snoer uit de buurt van warmtebronnen, olie en scherpe randen.

**16. Berg de machine veilig op**

Indien niet in gebruik, dienen machines te worden opgeborgen in een droge, afsluitbare of hoge plaats, buiten bereik van kinderen.

**17. Onderhoud de machine met zorg**

Houd snijgereedschappen scherp en schoon om beter en veiliger te kunnen werken. Houdt u aan de instructies met betrekking tot het onderhoud en het vervangen van accessoires. Houd de handgrepen en schakelaars droog en vrij van olie en vet.

**18. Reparaties**

Deze machine voldoet aan de geldende veiligheidseisen. Reparaties mogen uitsluitend worden uitgevoerd door bevoegde vakmensen en met behulp van originele reserveonderdelen; anders kan er een aanzienlijk gevaar voor de gebruiker ontstaan.

**Aanvullende veiligheidsinstructies voor heggen scharen**



Draag een veiligheidsbril als u deze machine bedient.



Draag handschoenen als u deze machine bedient.



Draag gehoorbescherming als u deze machine bedient.



Trek onmiddellijk de stekker uit het stopcontact als de kabel beschadigd raakt of wordt doorgesneden.



Stel de machine niet bloot aan regen of overmatige vochtigheid.

- Houd de kabel tijdens het gebruik van deze machine uit de buurt van de messen.

- Als u nooit eerder met een heggen schaar heeft gewerkt, dient u bij voorkeur praktische aanwijzingen te vragen aan een ervaren gebruiker als aanvulling op het bestuderen van deze handleiding.
- Raak nooit de messen aan terwijl de machine werkt.
- Probeer nooit om de messen geforceerd tot stilstand te brengen.
- Zet de machine niet neer voordat de messen volledig tot stilstand zijn gekomen.
- Controleer de messen regelmatig op beschadiging en slijtage. Gebruik de machine niet als de messen versleten of beschadigd zijn.
- Vermijd contact met harde voorwerpen (bijv. staal draad, traliewerk) tijdens het knippen. Indien u per ongeluk een dergelijk voorwerp raakt, dient u de machine onmiddellijk uit te schakelen en op schade te controleren.
- Indien de machine abnormaal begint te trillen, dient u deze onmiddellijk uit te schakelen en op schade te controleren.
- Indien de machine vast komt te zitten, dient u deze onmiddellijk uit te schakelen. Trek de stekker uit het stopcontact voordat u de obstakels probeert te verwijderen.
- Plaats na gebruik de meegeleverde beschermhuls over de messen. Zorg ervoor dat bij het opbergen van de machine de messen beschermd zijn.
- Zorg er altijd voor dat bij gebruik van deze machine alle veiligheidsvoorzieningen zijn aangebracht. Probeer nooit om een incomplete machine of een machine met niet goedgekeurde aanpassingen te gebruiken.
- Laat kinderen niet met de machine werken.

**ELEKTRISCHE VEILIGHEID**

De elektromotor is ontwikkeld voor een bepaalde netspanning. Controleer altijd of uw netspanning overeenkomt met de waarde op het typeplaatje.



Deze machine is dubbel geïsoleerd. Een aarddraad is daarom niet vereist.

## Gebruik van verlengsnoeren

Gebruik een goedgekeurd verlengsnoer dat geschikt is voor het vermogen van de machine (zie technische gegevens). Gebruik buitenshuis uitsluitend voor dit doel goedgekeurde en als zodanig gemerkte verlengsnoeren. De aders moeten minimaal een doorsnede hebben van 1,5 mm<sup>2</sup>. Wanneer het verlengsnoer op een haspel zit, rol het snoer dan helemaal af.

## INHOUD VAN DE VERPAKKING

De verpakking bevat:

- 1 Heggenschaar
- 1 Beschermhuls
- 1 Scherm
- 2 Schroeven
- 1 Handleiding

- Pak zorgvuldig alle onderdelen uit.
- Opmerking: al naar gelang de lettercode achter het catalogusnummer van uw machine kan het zijn dat zich meer artikelen in de verpakking bevinden.

## OVERZICHT (fig. A)

1. Voorste hendelschakelaar
2. Aan/uit-schakelaar
3. Voorste hendel
4. Scherm
5. Mes
6. Beschermhuls

## MONTAGE



Zorg vóór aanvang van de montage dat de machine is uitgeschakeld en de netstekker van het lichtnet is losgekoppeld.

Plaats de beschermhuls over de messen.

Voor het monteren heeft u een Pozidrive schroevendraaier nummer 2 nodig.

## Aanbrengen van het scherm (fig. B)

- Plaats het scherm (4) op de machine zoals afgebeeld.
- Bevestig het scherm met behulp van de twee meegeleverde schroeven.

Gebruik de machine nooit zonder het scherm.

## Aansluiten van de machine op het elektriciteitsnet (fig. C)

Als de machine niet is voorzien van een netkabel, moet u een verlengsnoer op de stekker van de machine aansluiten.

- Sluit een geschikt verlengsnoer aan op de stekker van de machine.
- Haal het verlengsnoer door de trekontlasting (7), zoals afgebeeld, om te voorkomen dat deze tijdens gebruik losraakt.
- Steek de stekker in een stopcontact.



Het verlengsnoer dient geschikt te zijn voor gebruik buitenshuis.

## GEBRUIK



- Laat de machine op haar eigen tempo werken. Niet overbelasten.
- Geleid de kabel zorgvuldig om te voorkomen dat u hem per ongeluk doorknipt. Een goede methode om de kabel te geleiden is door hem over uw schouder te hangen.

## Aan- en uitschakelen (fig. D)

Voor uw veiligheid is deze machine uitgevoerd met een dubbel schakelsysteem. Dit systeem voorkomt dat de machine per ongeluk wordt ingeschakeld en zorgt ervoor dat er alleen met de machine kan worden gewerkt als deze met beide handen wordt vastgehouden.

### Inschakelen

- Druk zowel de voorste hendelschakelaar (1) als de trekkerschakelaar (2) in.

### Uitschakelen

- Laat de voorste hendelschakelaar (1) of de aan/uit-schakelaar (2) los.



Probeer nooit om de schakelaar in de ingeschakelde stand te vergrendelen.



### Tips voor optimaal gebruik

- Houd de machine een beetje schuin (tot 15° ten opzichte van de kniplijn) zodat de bladpunten lichtjes naar de heg wijzen fig. E). Hierdoor zullen de messen beter knippen.
- Begin met het knippen van de bovenkant van de heg. Houd de machine in de gewenste hoek en beweeg gelijkmatig langs de kniplijn. Door het dubbelzijdige mes kunt u in beide richtingen knippen.
- Om een mooie rechte lijn te verkrijgen, trekt u een stuk draad op de gewenste hoogte over de lengte van de heg. Gebruik het draad als een richtlijn en knip er iets boven.
- Om vlakke zijanten te krijgen knipt u naar boven met de groeirichting mee. Jongere stammen bewegen naar buiten toe indien u met het mes naar beneden knipt. Dit leidt tot oneffenheden in de heg.
- Vermijd contact met vreemde voorwerpen. In het bijzonder harde voorwerpen zoals staaldraad en traliewerk, aangezien deze de messen kunnen beschadigen.
- Olie regelmatig de bladen.

### Wanneer te snoeien

- De meeste heggen en struiken die hun bladeren verliezen kunnen in juni en oktober worden gesnoeid.
- Heggen en struiken die altijd groen blijven, kunnen in april en augustus worden gesnoeid.
- Coniferen en andere snelgroeiende struiken kunnen vanaf mei ongeveer om de 6 weken worden gesnoeid.

### ONDERHOUD

Uw Black & Decker machine is ontworpen om gedurende langere periode te functioneren met een minimum aan onderhoud. Voortdurend tevreden gebruik is afhankelijk van correct onderhoud en regelmatig schoonmaken.



Zorg vóór aanvang van onderhoudswerkzaamheden dat de machine is uitgeschakeld en de netstekker van het lichtnet is losgekoppeld.

- Reinig de messen na gebruik zorgvuldig. Breng na reiniging een dunne laag lichte machineolie aan om te voorkomen dat de messen gaan roesten.
- Reinig regelmatig de ventilatieopeningen van uw machine met een zachte borstel of een droge doek.
- Reinig regelmatig de behuizing van de motor met een vochtige doek. Gebruik geen schuur- of oplosmiddel.

### MILIEU



Black & Decker biedt de mogelijkheid tot recyclen van afgedankte Black & Decker producten. Deze service is kosteloos. Om gebruik van deze service te maken, dient u het product aan een van onze servicecentra te sturen, die voor ons de inzameling verzorgen.

U kunt het adres van het dichtstbijzijnde servicecentrum opvragen via de adressen op de achterzijde van deze handleiding. U kunt ook een lijst van onze servicecentra en meer informatie m.b.t. onze klantenservice vinden op het volgende Internet-adres: **www.2helpU.com**.

### GARANTIE

Black & Decker heeft vertrouwen in zijn producten en biedt een uitstekende garantie. Deze garantiebepalingen vormen een aanvulling op uw wettelijke rechten en beperken deze niet. De garantie geldt in de lidstaten van de Europese Unie en de Europese Vrijhandelsassociatie.

Mocht uw Black & Decker product binnen 24 maanden na datum van aankoop defect raken tengevolge van materiaal- of constructiefouten, dan garanderen wij de kosteloze vervanging van defecte onderdelen, de reparatie van het product of de vervanging van het product, tenzij:

- ◆ Het product is gebruikt voor handelsdoeleinden, professionele toepassingen of verhuurdoeleinden;
- ◆ Het product onoordeelkundig is gebruikt;
- ◆ Het product is beschadigd door invloeden van buitenaf of door een ongeval;

- ◆ Reparaties zijn uitgevoerd door anderen dan onze servicecentra of Black & Decker personeel.

Om een beroep op de garantie te doen, dient u een aankoopbewijs te overhandigen aan de verkoper of een van onze servicecentra. U kunt het adres van het dichtstbijzijnde servicecentrum opvragen via de adressen op de achterzijde van deze handleiding. U kunt ook een lijst van onze servicecentra en meer informatie m.b.t. onze klantenservice vinden op het volgende Internet-adres: **www.2helpU.com**.

## ANDERE MACHINES VOOR GEBRUIK IN DE TUIN

Black & Decker heeft een compleet assortiment machines die het leven in de tuin vereenvoudigen. Als u meer informatie over de volgende producten wenst, neemt u dan contact op met ons Service- en Informatiecentrum (zie de adrespagina aan het eind van deze handleiding) of uw plaatselijke Black & Decker dealer.

Strimmers  
Kettingzagen  
Heggen scharen  
Grasmaaiers  
Verticuteerders  
Bladruimers  
Hakselaars

Niet ieder product is verkrijgbaar in alle landen.

### Technische gegevens

		GT26	GT246	GT250	GT251	GT260	GT261	GT262
Spanning	V <sub>AC</sub>	230	230	230	230	230	230	230
Opgenomen vermogen	W	350	350	380	380	380	380	380
Schaarbewegingen (onbelast)	min <sup>-1</sup>	3.800	3.800	3.800	3.800	3.800	3.800	3.800
Meslengte	cm	41	41	41	41	51	51	51
Tandsteek	mm	12	12	12	12	12	12	12
Afremtijd van het mes	s	< 1	< 1	< 1	< 1	< 1	< 1	< 1
Gewicht	kg	2,4 - 2,5	2,4 - 2,5	2,4 - 2,5	2,4 - 2,5	2,4 - 2,5	2,4 - 2,5	2,4 - 2,5

# RECORTASETOS GT26/GT246/GT250/ GT251/GT260/GT261/GT262

## ¡ENHORABUENA!


Ha escogido una herramienta Black & Decker. Nuestro objetivo es ofrecerle herramientas de calidad a un precio asequible y estamos seguros que podrá disfrutar de esta herramienta durante muchos años.

## DECLARACIÓN CE DE CONFORMIDAD

**CE** GT26/GT246/GT250/GT251/GT260/  
GT261/GT262  
Black & Decker certifica que estas herramientas eléctricas han sido construidas de acuerdo a las normas siguientes: 98/37/CEE, 89/336/CEE, 73/23/CEE, EN 50144, EN 55014, EN 61000 2000/14/CEE, recortasetos  $\leq 380$  W, Annex V

El nivel de la presión acústica, medida de acuerdo con 2000/14/EC:

$L_{pA}$ (presión acústica)	dB(A)	82
$L_{WA}$ (potencia acústica)	dB(A)	95
$L_{WA}$ (garantizado)	dB(A)	99

 Tome medidas adecuadas para proteger sus oídos cuando la presión acústica exceda el valor de 85 dB(A).

Valor cuadrático medio ponderado en frecuencia de la aceleración según EN 50144:

$< 2,5$ m/s <sup>2</sup>
--------------------------



Kevin Hewitt

Director of Consumer Engineering  
Spennymoor, County Durham DL16 6JG,  
United Kingdom  
1-11-2003

## FINALIDAD

Su recortasetos GT26/GT246/GT250/GT251/  
GT260/GT261/GT262 de Black & Decker ha sido diseñado para cortar setos, arbustos y zarzas. Esta herramienta está pensada únicamente para consumo doméstico.

## INSTRUCCIONES DE SEGURIDAD

### Pictogramas

En el presente manual figuran los pictogramas siguientes:



Indica peligro de lesiones, de accidentes mortales o de averías en la herramienta en caso de no respeto de las instrucciones en este manual.



Indica tensión eléctrica.



Lea el manual antes de utilizar la herramienta.

### Conocer la herramienta



- ♦ **¡Atencion!** Cuando use herramientas eléctricas, debe seguir siempre las precauciones de seguridad básicas, incluidas las siguientes, a fin de reducir el riesgo de incendios, electrocución, lesiones personales y daños materiales.
- ♦ Lea las instrucciones de seguridad siguientes antes de utilizar esta herramienta.
- ♦ Antes de poner en marcha la herramienta, compruebe que sabe cómo desconectarla en caso de emergencia.
- ♦ ¡Conserve bien estas instrucciones de seguridad!

## Generalidades

### 1. Tenga en cuenta el entorno del área de trabajo

No exponga herramientas a la humedad. Procure que el área de trabajo esté bien iluminada. No utilice la herramienta donde exista riesgo de incendio o explosión, p. ej. en la proximidad de líquidos o gases inflamables. Mantenga el área de trabajo limpia de residuos y obstáculos.

### 2. ¡Mantenga alejados a los niños!

No permita que niños, otras personas o animales se acerquen al área de trabajo ni toquen la herramienta o el cable de corriente.

### 3. Vista ropa de trabajo apropiada

No lleve vestidos anchos ni joyas. Estos podrían ser atrapados por piezas en movimiento. Para trabajos en el exterior, se recomienda llevar guantes de goma y calzado de suela antideslizante. Si tiene el pelo largo, téngalo recogido y cubierto.

### 4. Protección personal

Lleve gafas de protección. Utilice una mascarilla si el trabajo ejecutado produce polvo u otras partículas volantes. Lleve protectores para los oídos cuando el ruido pueda resultar molesto.

### 5. Protéjase contra la electrocución

Evite el contacto del cuerpo con superficies conectadas a masa o tierra (por ejemplo verjas metálicas o farolas, etc.). Se puede incrementar la seguridad eléctrica utilizando disyuntores de alta sensibilidad (30 mA/30 mS) para detectar corrientes de fuga.

### 6. No alargue demasiado su radio de acción

Mantenga un apoyo firme sobre el suelo y conserve el equilibrio en todo momento.

### 7. Esté siempre alerta

Mire lo que está haciendo. Use el sentido común. No maneje la herramienta cuando está cansado.

### 8. Sujete bien la pieza de trabajo

Utilice abrazaderas o un torno para sujetar la pieza de trabajo. Es más seguro que sujetarla con la mano y le permite utilizar ambas manos para manejar la herramienta.

### 9. Retire las llaves de maniobra

Antes de poner la herramienta en marcha, asegúrese de que las llaves y utensilios de reglaje hayan sido retirados.

### 10. Cables alargadores

Revise el cable alargador antes de utilizarlo por si presenta desperfectos. Utilice exclusivamente cables alargadores diseñados para su uso a la intemperie.

### 11. Utilice la herramienta adecuada

En este manual, se indica para qué uso está destinada la herramienta. No utilice herramientas o dispositivos acoplables de potencia demasiado débil para ejecutar trabajos pesados. La herramienta funcionará mejor y con mayor seguridad al ser utilizada de acuerdo con sus características técnicas. No fuerce la herramienta.

¡Atencion! El uso de accesorios o acoplamientos, o el uso de la herramienta misma distintos de los recomendados en este manual de instrucciones, puede dar lugar a lesiones de personas.

### 12. Comprobar que no haya partes averiadas

Antes de usarla, compruebe cuidadosamente que la herramienta y el cable de corriente no presenten desperfectos. Compruebe la posible existencia de piezas móviles mal alineadas o atascadas, la rotura de piezas, el posible daño de protectores e interruptores y cualquier otro aspecto que pueda afectar al funcionamiento de la herramienta. Asegúrese de que la herramienta puede funcionar adecuadamente y cumplir con el cometido para el que ha sido diseñada. No use la herramienta si alguna pieza está defectuosa. No utilice la herramienta si no es posible apagar y encender el interruptor. Haga que el servicio técnico autorizado repare o sustituya las piezas defectuosas. Jamás intente repararla usted mismo. Si el cable eléctrico está estropeado, hay que sustituirlo en un agente de reparaciones autorizado con el fin de evitar un accidente.

### 13. Desenchufe la herramienta

Desenchufe la herramienta cuando no esté usando la herramienta, antes de sustituir piezas, accesorios o acoplamientos, y antes de efectuar revisiones.

### 14. Evite un arranque involuntario

Procure no tocar el conmutador de encendido/apagado mientras transporta la herramienta. Asegúrese de que la herramienta esté apagada cuando la enchufe.

**15. Cuide el cable de alimentación**

No arrastre la herramienta tirando del cable, ni tire del cable para desenchufarlo. Proteja el cable del calor, del aceite y de las aristas vivas.

**16. Guarde las herramientas que no utiliza**

Cuando no las utilice, las herramientas deben guardarse en un lugar seco y cerrado o elevado, fuera del alcance de los niños.

**17. Mantenga las herramientas asiduamente**

Mantenga sus herramientas afiladas y limpias para trabajar mejor y más seguro. Siga las instrucciones para el mantenimiento y la sustitución de accesorios. Mantenga los mandos y conmutadores secos, limpios y libres de aceite y grasa.

**18. Reparaciones**

Esta herramienta cumple las normas de seguridad relevantes. Las reparaciones deben llevarse a cabo por personal cualificado usando piezas de recambio originales; en caso contrario, podría ocasionarse un riesgo considerable al usuario.

**Instrucciones de seguridad adicionales para recortasetos**



Lleve gafas protectoras cuando utilice esta herramienta.



Lleve guantes cuando utilice esta herramienta.



Lleve protectores para los oídos cuando utilice esta herramienta.



Desconecte inmediatamente el cable de la corriente principal si está dañado o cortado



No esponga la herramienta a lluvia o humedad elevada.

- ◆ Nunca toque las cuchillas mientras la herramienta esté funcionando.
- ◆ Nunca intente forzar las cuchillas para que se paren.
- ◆ No suelte la herramienta hasta que las cuchillas estén totalmente paradas.
- ◆ Revisar con regularidad las cuchillas por si estuvieran dañadas o desgastadas. No use la herramienta si las cuchillas están desgastadas o dañadas.
- ◆ Procure evitar los objetos duros (p.e. alambres, cercas) cuando esté recortando. En caso de tocar accidentalmente algún objeto de ese tipo, desconecte inmediatamente la herramienta y compruebe si está dañada.
- ◆ Si la herramienta empieza a vibrar de un modo anormal, desconéctela inmediatamente y compruebe si está dañada.
- ◆ Si la herramienta se atasca, desconéctela inmediatamente. Antes de intentar retirar cualquier elemento obstructor, desenchufe la herramienta..
- ◆ Después de usar la herramienta, cubra las cuchillas con la funda incluida. Guarde la herramienta, asegurándose de que la cuchilla no quede expuesta.
- ◆ Siempre que utilice la herramienta asegúrese de que todas las protecciones están ajustadas. Nunca intente utilizar una herramienta incompleta o con modificaciones no autorizadas.
- ◆ No permita que los niños utilicen la herramienta, bajo ningún concepto.

**SEGURIDAD ELÉCTRICA**

El motor eléctrico ha sido diseñado para un solo voltaje. Compruebe siempre que el voltaje de la red corresponde al valor indicado en la placa de características.



La herramienta tiene doble aislamiento; por consiguiente, no se requiere conexión a tierra.

- ◆ Mientras utilice esta herramienta, mantenga el cable alejado de las cuchillas.
- ◆ Si nunca ha usado un recortasetos, es preferible que solicite el consejo de algún usuario con experiencia, además de leer con atención este manual.

## Utilización de un cable de prolongación

Use un cable de prolongación aprobado, adecuado para la potencia de esta herramienta (véanse las características técnicas). Use un cable de prolongación destinado al uso exterior y marcado en consecuencia para ello. La sección mínima de conductor es de 1,5 mm<sup>2</sup>. Si utiliza un carrete de cable, desenrolle siempre el cable completamente.

### CONTENIDO DE LA CAJA

La caja contiene:

- 1 Recortasetos
- 1 Funda de cuchillas
- 1 Protección
- 2 Tornillos
- 1 Manual de instrucciones

- ◆ Desembale con cuidado todas las piezas.
- ◆ Por favor, tenga en cuenta que, en la caja de embalaje, puede encontrar otros componentes, en dependencia del sufijo de letras que vaya a continuación del número de catálogo de su herramienta.

### VISTA GENERAL (fig. A)

1. Interruptor del mango delantero
2. Interruptor de gatillo
3. Mango delantero
4. Protección
5. Cuchilla
6. Funda de cuchillas

### MONTAJE



- ◆ Antes de proceder al montaje, compruebe que la herramienta está apagada y desenchufada.
- ◆ Coloque la funda de cuchillas sobre las cuchillas.

Para montar necesitará un destornillador de mando directo número 2.

### Montaje de la protección (fig. B)

- ◆ Coloque la protección (4) en la herramienta tal y como se indica.
- ◆ Fije la protección empleando los dos tornillos suministrados.



No use nunca la herramienta sin la protección.

### Conexión de la herramienta a la red eléctrica (fig. C)

A menos que la herramienta disponga de un cable de alimentación de corriente, será necesario disponer de un cable alargador para conectarla a la toma de corriente .

- ◆ Conecte el enchufe hembra de una cable alargador adecuado a la toma de corriente .
- ◆ Enlace el cable a través del limitador (7) como se indica para evitar que se suelte el alargador durante su utilización.
- ◆ Conecte el enchufe a una toma de corriente.



El cable alargador debe ser adecuado para uso en exteriores.

### USO



Deje que la herramienta funcione a su ritmo. No la sobrecargue.

- ◆ Guiar con cuidado el cable para evitar que se corte de manera accidental. Una buena forma de controlar el cable es colocarlo sobre el hombro

### Encendido y apagado (fig. D)

Para su seguridad, esta herramienta viene equipada con un sistema de doble interruptor. Este sistema evita que la herramienta se ponga en marcha accidentalmente y permite que funcione únicamente cuando se sujeta con las dos manos.

#### Encendido

- ◆ Apriete el interruptor del mango delantero (1) y el interruptor de gatillo (2).

#### Apagado

- ◆ Suelte el interruptor del mango delantero (1) o el gatillo (2).



No intente nunca bloquear el interruptor en la posición de encendido (On).

### Consejos para un uso óptimo

- ◆ Inclíne un poco la herramienta (unos 15° en relación con la línea de corte) de forma que las puntas de las cuchillas apunten ligeramente hacia el seto (fig. E). Esto hará que las cuchillas corten con mayor efectividad.
- ◆ Comience recortando la parte superior del seto. Sujete la herramienta en el ángulo deseado y muévala con firmeza a lo largo de la línea de corte. La cuchilla de doble filo le permite cortar en cualquier dirección.
- ◆ Para lograr un corte muy recto, coloque un cordel a lo largo del seto a la altura deseada. Use el cordel como guía, cortando justo por encima del mismo.
- ◆ Para lograr unos lados lisos, corte hacia arriba en el sentido del crecimiento. Los tallos más jóvenes se mueven hacia fuera cuando la cuchilla corta hacia abajo, ocasionando parches superficiales en el seto.
- ◆ Evite los objetos extraños. En particular, evite los objetos duros como el alambre y cercas ya que se pueden dañar las cuchillas.
- ◆ Engrase periódicamente las cuchillas.

### Cuando igualar el seto

- ◆ Como regla general, los setos y arbustos de hoja caduca (que sale todos los años) se deben igualar en junio y en octubre.
- ◆ Los setos de hoja perenne se deben igualar en abril y en agosto.
- ◆ Las coníferas y otros arbustos de crecimiento rápido se deben igualar cada 6 semanas aproximadamente, a partir de mayo.

### MANTENIMIENTO

Su herramienta Black & Decker está diseñada para funcionar durante un largo período de tiempo con un mantenimiento mínimo. El funcionamiento satisfactorio continuado depende de un cuidado apropiado y una limpieza periódica de la herramienta.



Antes de realizar cualquier tipo de mantenimiento, apague y desenchufe la herramienta.

- ◆ Después de usar la herramienta, limpie con cuidado las cuchillas. Una vez limpias, aplique una fina capa de algún lubricante suave para herramientas para evitar que las cuchillas se oxiden.
- ◆ Limpie periódicamente las ranuras de ventilación de la herramienta con un cepillo suave o con un paño seco.
- ◆ Limpie periódicamente la carcasa del motor con un paño húmedo. No utilice ninguna sustancia limpiadora abrasiva o que contenga disolventes.

### PROTECCIÓN DEL MEDIO AMBIENTE



Black & Decker proporciona facilidades para el reciclado de los productos Black & Decker que hayan llegado al final de su vida útil. Este servicio se proporciona de forma gratuita. Para poderlo utilizar, le rogamos entregue el producto en cualquier servicio técnico autorizado quien se hará cargo del mismo en nuestro nombre.

Pueden consultar la dirección de su servicio técnico más cercano poniéndose en contacto con la oficina local de Black & Decker en la dirección que se indica en este manual. Como alternativa, se puede consultar en Internet, en la dirección siguiente, la lista de servicios técnico autorizados e información completa de nuestros servicios de postventa y contactos: [www.2helpU.com](http://www.2helpU.com).

### GARANTÍA

Black & Decker confía plenamente en la calidad de sus productos y ofrece una garantía extraordinaria. Esta declaración de garantía es una añadida a, y en ningún caso un perjuicio para, sus derechos estatutarios. La garantía es válida dentro de los territorios de los Estados Miembros de la Unión Europea y de los de la Zona Europea de Libre Comercio.

Si un producto Black & Decker resultara defectuoso debido a materiales o mano de obra defectuosos o a la falta de conformidad, Black & Decker garantiza, dentro de los 24 meses de la fecha de compra, la sustitución de las piezas defectuosas, la reparación de los productos sujetos a un desgaste y rotura razonables o la sustitución de tales productos para garantizar al cliente el mínimo de inconvenientes, a menos que:

- ◆ El producto haya sido utilizado con propósitos comerciales, profesionales o de alquiler;
- ◆ El producto haya sido sometido a un uso inadecuado o negligente;
- ◆ El producto haya sufrido daños causados por objetos o sustancias extrañas o accidentes;
- ◆ Se hayan realizado reparaciones por parte de personas que no sean los servicios de reparación autorizados o personal de servicios de Black & Decker;

Para reclamar en garantía, será necesario que presente la prueba de compra al vendedor o al servicio técnico de reparaciones autorizado. Pueden consultar la dirección de su servicio técnico más cercano poniéndose en contacto con la oficina local de Black & Decker en la dirección que se indica en este manual.

Como alternativa, se puede consultar en Internet, en la dirección siguiente, la lista de servicios técnico autorizados e información completa de nuestros servicios de postventa y contactos: [www.2helpU.com](http://www.2helpU.com).

## OTRAS HERRAMIENTAS DE JARDINERÍA

Black & Decker cuenta con una amplia gama de herramientas de jardinería para hacerle la vida en el jardín más fácil. Si desea más información sobre los siguientes productos, no dude en ponerse en contacto con nuestro Centro de Servicio e Información (consulte la página de direcciones al final de este manual) o diríjase a su concesionario local de Black & Decker.

Motosierras  
 Recortabordes  
 Recortasetos  
 Cortacéspedes  
 Escarificadores  
 Aspiradores-sopladores

Todos los productos no se encuentran disponibles en todos los países.

### Características técnicas

		GT26	GT246	GT250	GT251	GT260	GT261	GT262
Voltaje	V <sub>AC</sub>	230	230	230	230	230	230	230
Potencia absorbida	W	350	350	380	380	380	380	380
Cortes de la cuchilla (sin carga)	min <sup>-1</sup>	3.800	3.800	3.800	3.800	3.800	3.800	3.800
Longitud de la cuchilla	cm	41	41	41	41	51	51	51
Separación de la cuchilla	mm	12	12	12	12	12	12	12
Tiempo de frenada de la cuchilla	s	< 1	< 1	< 1	< 1	< 1	< 1	< 1
Peso	kg	2,4 - 2,5	2,4 - 2,5	2,4 - 2,5	2,4 - 2,5	2,4 - 2,5	2,4 - 2,5	2,4 - 2,5



# CORTA-SEBES GT26/GT246/GT250/GT251/ GT260/GT261/GT262

## PARABÉNS!

Você escolheu uma ferramenta Black & Decker. O nosso objectivo é fornecer ferramentas de qualidade a um preço acessível. Esperamos que a utilize por muitos anos.


## DECLARAÇÃO DE CONFORMIDADE

**CE** GT26/GT246/GT250/GT251/GT260/  
GT261/GT262

A Black & Decker declara que estas ferramentas foram concebidas em conformidade com:  
98/37/CEE, 89/336/CEE, 73/23/CEE,  
EN 50144, EN 55014, EN 61000  
2000/14/CEE, corta-sebes ≤ 380 W,  
Annex V

Nível de potência sonora, medido de acordo com a 2000/14/EC:

$L_{pA}$ (pressão sonora)	dB(A)	82
$L_{WA}$ (potência sonora)	dB(A)	95
$L_{WA}$ (com garantia)	dB(A)	99

 Use protectores auditivos quando a potência sonora ultrapassar 85 dB(A).

Valor médio quadrático ponderado em frequência de aceleração conforme à EN 50144:

< 2,5 m/s<sup>2</sup>



Kevin Hewitt

Director of Consumer Engineering  
Spennymoor, County Durham DL16 6JG,  
United Kingdom  
1-11-2003

## FINALIDADE DA FERRAMENTA

O seu corta-sebes Black & Decker GT26/GT246/GT250/GT251/GT260/GT261/GT262 foi concebido para cortar sebes, arbustos e ramagens.

Esta ferramenta destina-se apenas para uso doméstico.

## INSTRUÇÕES DE SEGURANÇA

### Símbolos

Os seguintes símbolos são usados neste manual:



Indica risco de ferimentos, perigo de vida ou danos na ferramenta no caso do não-cumprimento das instruções deste manual.



Indica tensão eléctrica.



Leia este manual antes de utilizar a ferramenta.

### Conhecer a ferramenta



- ♦ **Aviso!** Ao utilizar ferramentas eléctricas, é preciso seguir sempre as precauções básicas para a segurança, incluindo as detalhadas a seguir, para diminuir os riscos de incêndio, choque eléctrico, ferimentos pessoais e danos materiais.
- ♦ Leia as seguintes instruções de segurança antes de tentar utilizar esta ferramenta.
- ♦ Antes de utilizar a ferramenta, certifique-se de que sabe como desligá-la em caso de emergência.
- ♦ Guarde estas instruções!

## Instruções gerais

### 1. Cuide do ambiente da área de trabalho

Não exponha a ferramenta à chuva. Não utilize a ferramenta em situações onde haja humidade ou água. Mantenha a área de trabalho bem iluminada. Não utilize a ferramenta onde haja risco de fogo ou explosão, p.ex. em presença de líquidos ou gases inflamáveis. Mantenha a área de trabalho livre de escombros e obstáculos.

### 2. Mantenha as crianças afastadas

Não permita que crianças, visitantes ou animais cheguem perto da área de trabalho ou toquem na ferramenta ou no cabo eléctrico.

### 3. Vista-se de maneira apropriada

Não use vestuário largo nem jóias porque podem prender-se numa peça móvel. Quando se trabalha no exterior, aconselha-se o uso de luvas de borracha e de calçado antiderrapante. Prencha o cabelo se tiver cabelo comprido.

### 4. Protecção pessoal

Utilize óculos de protecção. Utilize óculos de protecção e uma máscara de rosto ou poeira sempre que as operações possam produzir poeira ou partículas que voem. Utilize protector de ouvidos sempre que o nível de ruído pareça ser incómodo.

### 5. Tenha cuidado com os choques eléctricos

Evite o contacto com superfícies aterradas tais como trilhos de metal, postes de iluminação, etc. A segurança eléctrica pode ser melhorada mediante o uso de dispositivos de corrente residual (RCD) de alta sensibilidade (30 mA/30 mS).

### 6. Verifique a sua posição

Mantenha sempre o equilíbrio.

### 7. Esteja atento

Dê atenção ao que vai fazendo. Trabalhe com precaução. Não utilize ferramentas quando estiver cansado.

### 8. Segure firmemente as peças a trabalhar

Utilize grampos ou um torno para segurar as peças de trabalho quando for apropriado. É mais seguro e permite manter as duas mãos livres para trabalhar.

### 9. Tire as chaves de aperto

Verifique sempre se as chaves de aperto foram retiradas da ferramenta antes de a utilizar.

### 10. Extensões eléctricas

Antes de iniciar o uso, verifique o estado do cabo da extensão eléctrica e substitua-o se estiver danificado. Utilize apenas cabos de extensão destinados ao uso em ambientes externos.

### 11. Empregue a ferramenta apropriada

Neste manual indicam-se as aplicações da ferramenta. Não force pequenas ferramentas ou acessórios para fazer o trabalho numa ferramenta forte. A ferramenta trabalhará melhor e de uma maneira mais segura se for utilizada para o efeito indicado. Não force a ferramenta. Aviso! O uso de qualquer acessório ou o uso da própria ferramenta, além do que é recomendado neste manual de instruções pode dar origem a risco de ferimento.

### 12. Verifique as peças danificadas

Antes do uso, verifique cuidadosamente se a ferramenta e o cabo eléctrico não estão danificados. Verifique o tamanho das peças móveis e se as mesmas estão alinhadas; verifique se há alguma peça partida, se as protecções e os interruptores estão danificados, bem como quaisquer outras condições que possam afectar o funcionamento da ferramenta. Assegure-se de que a ferramenta funciona correctamente e de que esteja a desempenhar as funções para as quais foi projectada. Não utilize a ferramenta se houver alguma peça defeituosa. Não utilize a ferramenta se o interruptor não estiver a funcionar para ligar ou desligar. Qualquer peça defeituosa deve ser reparada ou substituída por um técnico autorizado. Nunca tente efectuar qualquer reparação por sua conta. Para evitar situações de risco, o cabo eléctrico danificado deverá ser substituído por um agente de reparações autorizado.

### 13. Desligue a ferramenta

Desligue a ferramenta quando não estiver em uso, antes de trocar qualquer peça da ferramenta, acessórios ou anexos e antes de a enviar para o serviço técnico.

### 14. Evite ligar sem intenção

Não transporte a ferramenta com um dedo sobre o interruptor liga/desliga. Assegure-se de que a ferramenta está desligada no interruptor quando for ligá-la à tomada.

### 15. Não force o cabo eléctrico

Nunca transporte a ferramenta pelo cabo ou puxe o mesmo para retirá-lo da tomada. Proteja o cabo contra o calor e evite o contacto com óleo e objectos cortantes.

### 16. Guarde as ferramentas que não estiverem a ser utilizadas

Quando não estiverem em uso, as ferramentas deverão ser armazenadas em local seco, fechado ou alto, fora do alcance das crianças.

### 17. Cuide das suas ferramentas com atenção

Mantenha as ferramentas cortantes afiadas e limpas para um melhor e mais seguro desempenho. Siga as instruções para a manutenção e a troca de acessórios. Mantenha os punhos e os interruptores secos, limpos e isentos de óleo e gordura.

### 18. Reparos

Esta ferramenta cumpre os requisitos de segurança pertinentes. Os reparos devem ser realizados somente por pessoas qualificadas e as peças de reposição devem ser originais. A não observância disso poderá resultar em perigos consideráveis para os utilizadores.

### Instruções adicionais de segurança para corta-sebes



Utilize óculos de segurança durante o funcionamento da ferramenta.



Utilize luvas.



Utilize protector de ouvidos.



Desligue o cabo da tomada imediatamente se o mesmo estiver danificado ou cortado.



Não exponha a ferramenta à chuva e humidade excessiva.

- ◆ Mantenha o cabo longe das lâminas enquanto estiver a utilizar a ferramenta.

- ◆ Se você não utilizou um corta-sebes anteriormente, é preferível que peça instruções de uso a um utilizador experimentado além de estudar este manual.
- ◆ Nunca toque as lâminas enquanto a ferramenta estiver a funcionar.
- ◆ Nunca tente forçar a paralisação das lâminas.
- ◆ Não largue a ferramenta enquanto as lâminas não estiverem completamente paralisadas.
- ◆ Verifique se as lâminas estão danificadas ou desgastadas regularmente. Não utilize a ferramenta quando as lâminas estiverem gastas ou danificadas.
- ◆ Tome cuidado para evitar objectos duros (ex. cabo de metal, grades) enquanto estiver a cortar. Se atingir acidentalmente tais objectos, desligue imediatamente a ferramenta e verifique se há algum dano.
- ◆ Se a ferramenta começar a vibrar de maneira anormal, desligue-a imediatamente e verifique se há algum dano.
- ◆ Se a ferramenta parar, desligue-a imediatamente. Desligue a ferramenta antes de tentar remover qualquer obstrução.
- ◆ Após o uso, coloque o estojo de lâmina fornecido sobre as lâminas. Ao guardar a ferramenta, certifique-se de que a lâmina não fique exposta.
- ◆ Assegure-se sempre de que todos os resguardos de protecção estejam encaixados ao utilizar a ferramenta. Nunca tente utilizar ferramentas incompletas ou que contenham modificações não autorizadas.
- ◆ Não deixe que as crianças utilizem a ferramenta.

### SEGURANÇA ELÉCTRICA

O motor eléctrico foi concebido para uma única tensão. Verifique sempre se a tensão da rede corresponde à voltagem indicada na placa de identificação.



A ferramenta tem duplo isolamento. Não sendo, por isso, necessária uma ligação à terra.

## Extensões

Se fôr necessário uma extensão eléctrica, use uma apropriada para a corrente desta ferramenta (veja os dados técnicos). Utilize sempre cabos próprios para uso no exterior. A dimensão mínima do condutor é 1,5 mm<sup>2</sup>. No caso de se usar uma bobina, desenrole o cabo todo.

## CONTEÚDO DA CAIXA

A caixa contém:

- 1 Corta-sebes
- 1 Estojo de lâmina
- 1 Resguardo
- 2 Parafusos
- 1 Manual de instruções

- ◆ Retire todas as peças da embalagem, com cuidado.
- ◆ Poderá encontrar itens adicionais na embalagem, dependendo da letra do sufixo que segue o número de referência da ferramenta no catálogo.

## VISÃO GERAL (fig. A)

1. Interruptor frontal do punho
2. Gatilho
3. Punho frontal
4. Resguardo
5. Lâmina
6. Estojo de lâmina

## MONTAGEM



- ◆ Antes da montagem, certifique-se de que a ferramenta está desligada da corrente eléctrica.
- ◆ Encaixe o estojo da lâmina sobre as lâminas.

Você precisará de uma chave de fendas Posidrive número 2 para a montagem.

## Instalação do resguardo (fig. B)

- ◆ Coloque o resguardo (4) na ferramenta, conforme o indicado.
- ◆ Fixe o resguardo com os dois parafusos fornecidos.



Nunca utilize a ferramenta sem o resguardo.

## Ligação da ferramenta à energia eléctrica (fig. C)

A menos que a ferramenta disponha de um cabo para ligação eléctrica, será preciso utilizar um cabo de extensão para ligá-la à tomada.

- ◆ Ligue a ficha fêmea de uma extensão eléctrica adequada à tomada de alimentação.
- ◆ Enrole a extensão eléctrica no retentor (7) conforme mostrado para evitar que o mesmo se solte durante o uso.
- ◆ Ligue a ficha à tomada da parede.



A extensão eléctrica deve ser adequada para uso em ambientes externos.

## USO



Deixe que a ferramenta funcione à vontade. Não a sobrecarregue.

- ◆ Guie o cabo cuidadosamente para evitar cortá-lo acidentalmente. Uma boa maneira de controlar o cabo consiste em colocá-lo sobre os ombros.

## Como ligar e desligar a ferramenta (fig. D)

Para sua segurança, esta ferramenta é equipada com um sistema de comutação. Este sistema inverte a corrente que a ferramenta recebe em funcionamento inadvertidamente e somente permitirá sua operação quando a ferramenta estiver segura com as duas mãos.

### Como ligar a ferramenta

- ◆ Carregue no interruptor frontal do punho (1) e no gatilho (2).

### Como desligar a ferramenta

- ◆ Solte o interruptor da frente do punho (1) ou o gatilho (2).



Nunca tente travar a chave na posição ligada.

### Sugestões para uma melhor utilização

- ◆ Incline ligeiramente a ferramenta (até 15° relativamente à linha de corte) de maneira que a lâmina se incline ligeiramente em direcção à sebe (fig. E). Isto fará com que as lâminas cortem mais eficazmente.
- ◆ Comece cortando o topo da sebe. Segure a ferramenta no ângulo desejado e mova-a firmemente junto à linha de corte. A lâmina de dois lados permite o corte em qualquer direcção.
- ◆ De modo a obter um corte bem recto, estire um pedaço de cordão ao longo do comprimento do sebe na altura desejada. Utilize o cordão como linha de direcção, cortando logo acima dele.
- ◆ De modo a obter lados planos, corte para cima com o crescimento. Os troncos jovens afastam-se quando a lâmina corta para baixo, causando partes rasas na sebe.
- ◆ Tome cuidado para evitar qualquer objecto estranho. Evite especialmente objectos duros tais como cabo de metal e grades, uma vez que estes podem danificar as lâminas.
- ◆ Lubrifique regularmente as lâminas.

### Quando cortar

- ◆ Como guia geral, sebes e arbustos com folhas sazonais (novas todos os anos) podem ser aparadas em Junho e Outubro.
- ◆ As sebes de folha permanente podem ser aparadas em Abril e Agosto.
- ◆ As sebes de crescimento rápido podem ser acertadas de seis em seis semanas, a partir do mês de Maio.

### MANUTENÇÃO

Esta ferramenta Black & Decker foi desenvolvida para funcionar por um longo período, com um mínimo de manutenção. O funcionamento contínuo e satisfatório depende da limpeza regular e cuidado adequado da ferramenta.



Antes de qualquer procedimento de manutenção, desligue a máquina no interruptor e retire a tomada da corrente.

- ◆ Após o uso, limpe as lâminas cuidadosamente. Após a limpeza, aplique uma película de óleo de máquina para evitar que as lâminas enferrujem.
- ◆ Limpe regularmente as fendas de ventilação da ferramenta utilizando uma escova suave ou um pano seco.
- ◆ Limpe regularmente o compartimento do motor utilizando um pano húmido. Não utilize nenhum limpador abrasivo ou de base solvente.

### PROTECÇÃO DO MEIO AMBIENTE



A Black & Decker oferece facilidades para a reciclagem de produtos Black & Decker uma vez que os mesmos tenham alcançado o final de suas vidas úteis. Este serviço é fornecido sem encargos. Para utilizá-lo, devolva seu produto a qualquer agente de reparo autorizado, que se encarregará de recolher o equipamento em nosso nome.

Para verificar a localização do agente de reparo mais próximo de si, contacte o escritório local da Black & Decker no endereço indicado neste manual. Se preferir, consulte a lista de agentes autorizados da Black & Decker e os dados completos de nossos serviços de atendimento pós-venda na Internet no endereço: [www.2helpU.com](http://www.2helpU.com).

### GARANTIA

A Black & Decker confia na qualidade de seus produtos e oferece um programa de garantia excelente. Esta declaração de garantia soma-se a seus direitos legais e não os prejudica em nenhum aspecto. A garantia será válida nos territórios dos Estados Membros da União Europeia e na Área de Livre Comércio da Europa.

Caso algum produto da Black & Decker apresente avarias devido a defeitos de material, mão-de-obra ou ausência de conformidade no prazo de 24 meses a partir da data de compra, a Black & Decker garantirá a substituição das peças defeituosas, a reparação dos produtos que foram submetidos a uso adequado e remoção ou substituição dos mesmos para assegurar o mínimo de inconvenientes ao cliente a menos que:

- ◆ O produto haja sido utilizado para fins comerciais, profissionais ou locação;
- ◆ O produto haja sido submetido a uso incorrecto ou descuido;
- ◆ O produto haja sofrido danos causados por objectos estranhos, substâncias ou acidentes;
- ◆ Haja histórico de reparos efectuados por terceiros que não sejam os agentes autorizados ou profissionais de manutenção da Black & Decker.

Para accionar a garantia, será necessário enviar a prova de compra ao revendedor ou agente de reparo autorizado. Para verificar a localização do agente de reparo mais próximo de si contacte o escritório local da Black & Decker no endereço indicado neste manual. Se preferir, consulte a lista de agentes autorizados da Black & Decker e os dados completos de nossos serviços de atendimento pós-venda na Internet no endereço: [www.2helpU.com](http://www.2helpU.com).

## OUTRAS FERRAMENTAS PARA JARDIM

A Black & Decker possui uma grande variedade de ferramentas que facilitam o trabalho no jardim. Se desejar obter mais informações sobre os produtos a seguir mencionados, contacte o nosso Serviço a Clientes (veja a página de endereços no final deste manual) ou contacte o revendedor local da Black & Decker.

Aparadores  
Electrosserras  
Tesoura de relva  
Corta-sebes  
Corta-relvas  
Vassouras para relvado  
Aspiradores de folhas  
Trituradores

Nem todos os produtos estão disponíveis em todos os países.

### Dados técnicos

		GT26	GT246	GT250	GT251	GT260	GT261	GT262
Voltagem	$V_{AC}$	230	230	230	230	230	230	230
Potência	W	350	350	380	380	380	380	380
Movimentos da lâmina (sem carga)	$\text{min}^{-1}$	3.800	3.800	3.800	3.800	3.800	3.800	3.800
Comprimento da lâmina	cm	41	41	41	41	51	51	51
Distância entre lâminas	mm	12	12	12	12	12	12	12
Tempo de travagem da lâmina	s	< 1	< 1	< 1	< 1	< 1	< 1	< 1
Peso	kg	2,4 - 2,5	2,4 - 2,5	2,4 - 2,5	2,4 - 2,5	2,4 - 2,5	2,4 - 2,5	2,4 - 2,5

# HÄCKSAX GT26/GT246/GT250/GT251/ GT260/GT261/GT262

## BÄSTE KUND!

Tack för att du har valt ett verktyg från Black & Decker. Vi hoppas att du kommer att få glädje av verktyget i många år.


## CE-FÖRSÄKRAN OM ÖVERENSSTÄMMELSE

**CE** GT26/GT246/GT250/GT251/GT260/  
GT261/GT262

Black & Decker förklarar att dessa verktyg är konstruerade i överensstämmelse med: 98/37/EEG, 89/336/EEG, 73/23/EEG, EN 50144, EN 55014, EN 61000 2000/14/EEG, Häcksax  $\leq 380$  W, Annex V

Ljudnivå, uppmätt enligt 2000/14/EC:

$L_{pA}$ (ljudtryck)	dB(A)	82
$L_{WA}$ (ljudeffekt)	dB(A)	95
$L_{WA}$ (garanterad)	dB(A)	99

 Använd hörselskydd om ljudnivån överskrider 85 dB(A).

Det vägda geometriska medelvärdet av vibrationsfrekvensen enligt EN 50144:

$< 2,5 \text{ m/s}^2$



Kevin Hewitt

Director of Consumer Engineering  
Spennymoor, County Durham DL16 6JG,  
United Kindom  
1-11-2003

## ANVÄNDNINGSSOMRÅDE

Din Black & Decker häcksax GT26/GT246/GT250/GT251/GT260/GT261/GT262 är konstruerad för klippning av häckar och buskar. Verktyget är endast avsett för bruk i hemmet.

## SÄKERHETSINSTRUKTIONER

### Symboler

Följande symboler har använts i bruksanvisningen:



Anger risk för personskada, livsfara eller skada på verktyg om du inte följer de instruktioner som står i bruksanvisningen.



Anger risk för elektrisk stöt.



Läs bruksanvisningen innan du använder verktyget.

### Lär känna verktyget



- **Varning!** När man använder elverktyg är det viktigt att man bl.a. följer nedanstående säkerhetsanvisningar för att minska risken för brand, elektriska stötar, personskador och materialskador.
- Var säker på att du vet hur man stänger av verktyget innan du börjar använda det.
- Spara bruksanvisningen lättillgängligt.

## Allmänt

### 1. Tänk på arbetsmiljöns inverkan

Utsätt inte verktyget för regn. Använd inte verktyget på fuktiga eller våta platser. Ha bra belysning över arbetsytan. Använd inte verktyget där det finns risk för eldsvåda eller explosion, t.ex. i närheten av lättantändliga vätskor eller gaser. Håll arbetsplatsen i ordning.

### 2. Utom räckhåll för barn

Tillåt inte barn, besökande eller djur att komma i närheten av arbetsplatsen eller att röra vid verktyget eller sladden.

### 3. Klä dig rätt

Bär inte löst hängande kläder eller smycken. De kan fastna i rörliga delar. Gummihandskar och halkfria skor rekommenderas vid utomhusarbeten. Använd hårnät om du har långt hår.

### 4. Skyddskläder

Använd alltid skyddsglasögon. Använd ansiktsmask om arbetet förorsakar damm eller partiklar i luften. Använd hörselskydd om du besväras av ljudnivån.

### 5. Eliminera risken för elektriska stötar

Undvik kontakt mellan kroppen och jordade ytor (t.ex. metallräcken, lyktstolpar m.m.). Elsäkerheten kan förbättras ytterligare genom användning av en jordfelsbrytare med hög känslighet (30 mA/30 mS).

### 6. Sträck dig inte för mycket

Se till att du alltid har säkert fotfäste och balans.

### 7. Var uppmärksam

Titta på det du gör. Använd sunt förnuft. Använd inte verktyget när du är trött.

### 8. Sätt fast arbetsstycket

Använd skruvtingar eller ett skruvstycke för att hålla fast arbetsstycket. Det är säkrare än att använda handen och du får bägge händerna fria för arbetet.

### 9. Tag bort nycklar

Kontrollera att nycklar och justerverktyg har tagits bort från verktyget innan det startas.

### 10. Förlängningssladdar

Kontrollera förlängningssladden innan den används. Byt ut den om det behövs. Använd bara förlängningssladdar som är avsedda för utomhusbruk.

## 11. Använd rätt verktyg

Använd inte verktyg för ändamål de inte är avsedda för. Tvinga inte verktyget att göra arbeten som är avsedda för kraftigare verktyg. Använd endast tillbehör och tillsatser som är rekommenderade i bruksanvisningen och katalogerna. Överbelasta inte verktyget.

**Varning!** Användning av annat verktyg eller tillbehör kan innebära risk för personskada.

## 12. Kontrollera verktyget för skador

Kontrollera verktyget och sladden för skador innan du använder verktyget. Kontrollera att de rörliga delarna inte har fastnat eller är felmonterade. Kontrollera även att övriga delar och skydd inte är skadade och att det inte föreligger några andra fel som kan påverka verktygets funktion. Kontrollera att verktyget fungerar riktigt och kan utföra de avsedda funktionerna. Använd inte verktyget om fel uppstår på någon av dess delar. Använd inte verktyget om det inte kan kopplas till och från med strömbrytaren. Om fel uppstår skall delarna repareras eller bytas ut av en auktoriserad Black & Decker serviceverkstad. Försök aldrig reparera verktyget själv. Om sladden är skadad måste den bytas ut av en behörig reparatör.

## 13. Dra ur kontakten

Tag ur kontakten när verktyget inte är i bruk samt före byte av någon del av verktyget, tillbehör eller innan serviceåtgärder utförs.

## 14. Undvik oavsiktlig start

Bär aldrig verktyget med ett finger på strömbrytaren. Kontrollera att verktyget är avstängt innan du sätter i kontakten.

## 15. Misshandla inte sladden

Bär aldrig verktyget i sladden och använd inte sladden för att dra ut kontakten. Utsätt inte sladden för värmekällor, olja eller skarpa kanter.

## 16. Förvara verktyg säkert

När verktyget inte används ska det förvaras på ett torrt ställe, som antingen är låst eller högt beläget så att barn inte kan komma åt det.

## 17. Sköt verktyget med omsorg

Håll verktyget rent och använd skarpa tillbehör för bättre prestanda och säkrare drift. Följ instruktionerna beträffande skötsel och byte av tillbehör.



Håll handtagen och strömbrytare torra, rena och fria från olja och fett.

## 18. Reparationer

Detta verktyg uppfyller gällande säkerhetskrav. Reparationer ska utföras av en auktoriserad Black & Decker serviceverkstad som använder originaldelar, annars kan användaren utsättas för stor fara.

### Extra säkerhetsföreskrifter för häcksaxar



Använd skyddsglasögon under arbetet med maskinen.



Använd handskar under arbetet med maskinen.



Använd hörselskydd under arbetet med maskinen.



Drag ut kontakten genast om sladden är skadad.



Undvik att exponera verktyget för regn och hög luftfuktighet.

- Håll sladden undan från knivarna när du använder verktyget.
- Om du aldrig har använt en häcksax förut rekommenderar vi att du ber en erfaren användare om praktiska råd, förutom att du noga läser igenom bruksanvisningen.
- Rör aldrig knivarna när verktyget är i drift.
- Försök aldrig tvinga knivarna att stanna.
- Lägg aldrig ifrån dig verktyget innan knivarna har stannat helt.
- Kontrollera knivarna regelbundet så att de inte blivit skadade eller slitna. Använd inte verktyget om knivarna är utslitna eller skadade.
- Var försiktig och undvik hårda föremål (t ex metalltrådar eller staket) när du klipper. Om du oavsiktligt stöter på hårda föremål skall verktyget omedelbart stängas av och eventuella skador undersökas.
- Om verktyget börjar vibrera onormalt skall det omedelbart stängas av och eventuella skador undersökas.

- Om verktyget fastnar, stäng av det omedelbart. Drag ut kontakten innan du tar bort föremål som fastnat.
- Sätt på det medföljande knivskyddet på kniven efter arbetets slut. Se till att kniven är övertäckt när du ställer undan verktyget.
- Se alltid till att alla skydd är monterade när du använder verktyget. Försök aldrig använda ett verktyg där delar saknas eller otillåtna ändringar har utförts.
- Låt aldrig barn använda verktyget.

### ELEKTRISK SÄKERHET

Den elektriska motorn är endast avsedd för en spänning. Kontrollera alltid att spänningen på nätet motsvarar den spänning som finns angiven på märkplåten.



Verktyget är dubbelisolerat.

### Användning med förlängningssladd

Använd en godkänd förlängningssladd lämpad för verktygets strömförbrukning (se tekniska data). Använd endast förlängningssladdar som är tillåtna för utomhusbruk och märkta för detta. Om du använder en sladdvinda, vira alltid av hela sladden.

### KARTONGENS INNEHÅLL

Kartongen innehåller:

- 1 Häcksax
- 1 Knivskydd
- 1 Skydd
- 2 Skruvar
- 1 Bruksanvisning

- Packa försiktigt upp alla delar.
- Förpackningen kan eventuellt innehålla ytterligare delar, beroende på kodbokstaven som följer efter ditt verktygs katalognummer.

### ÖVERSIKT (fig. A)

1. Främre säkerhetsströmbrytare
2. Strömbrytare
3. Främre handtag
4. Skydd
5. Kniv
6. Knivskydd

## MONTERING



Se till att verktyget är avstängt samt att det inte är anslutet innan monteringen börjar.

Sätt på knivskyddet på knivarna.

Du behöver en nummer 2 stjärnskruvmejsel för hopsättningen.

### Montering av skyddet (fig. B)

- Placera skyddet (4) på verktyget enligt figuren.
- Sätt fast skyddet med de båda bifogade skruvarna.



Använd aldrig verktyget utan skyddet.

### Nätanslutning av verktyget (fig. C)

Om verktyget inte är försett med en nätsladd, måste en förlängningssladd kopplas till eluttaget.

- Anslut honkontakten på en lämplig förlängningssladd till eluttaget.
- För sladden genom kabelhållaren (7) enligt bilden för att undvika att förlängningssladden lossnar under användning.
- Sätt i kontakten i ett vägguttag.



Förlängningssladden måste vara avsedd för utomhusbruk.

## ANVÄNDNING



- Överbelasta inte maskinen, låt den arbeta i sin egen takt.
- Var noga med hur du leder sladden så att du inte råkar klippa av den. Ett bra sätt att ha kontroll över sladden är att lägga den över axeln.

### Start och stopp (fig. D)

Av säkerhetsskäl är verktyget försett med ett dubbelt start/stoppssystem. Detta system förhindrar oavsiktlig start och innebär att häcksaxen måste manövreras med båda händerna för att fungera.

### Start

- Tryck både på den främre säkerhetsströmbrytaren (1) och strömbrytaren (2).

### Stopp

- Släpp den främre säkerhetsströmbrytaren (1) eller strömbrytaren (2).



Försök aldrig låsa en strömbrytare i startläge.

### Råd för bästa resultat

- Luta häcksaxen något (upp till 15° mot snittlinjen) så att knivspetsarna riktas mot häcken (fig. E). Detta gör att knivarna klipper mer effektivt.
- Börja med att klippa häckens ovarsida. Håll verktyget i önskad vinkel och förflytta det lugnt och stadigt längs snittlinjen. Dubbelsidiga knivar tillåter klippning i båda riktningarna.
- För att kunna utföra rak klippning kan man spänna upp ett snöre på önskad höjd utmed häcken. Använd snöret som en riktlinje och klipp precis ovanför det.
- För att sidorna skall bli raka bör klippningen ske nerifrån och upp i den riktning häcken växer. Unga stammar böjer sig utåt om klippningen utförs i nedåtgående riktning och förorsakar tomma öppningar i häcken.
- Var försiktig och undvik främmande föremål. Se särskilt till att undvika hårda föremål såsom metalltråd och staket, eftersom dessa kan skada knivarna.
- Smörj knivarna regelbundet.

### SKÖTSEL

Ditt Black & Decker verktyg har tillverkats för att fungera under lång tid med ett minimum av skötsel. Med rätt underhåll och regelbunden rengöring bibehåller verktyget sin prestanda.



Vid underhåll och skötsel skall verktyget vara avstängt och sladden utdragen.

- Rengör noga knivarna efter varje användning. Efter rengöring skall knivarna täckas med ett fint lager smörjolja för att undvika att verktyget rostar.

- Rengör regelbundet verktygets ventilationsöppningar med en mjuk borste eller torr trasa.
- Rengör kåpan regelbundet med en fuktig trasa. Använd aldrig lösningsmedel eller frätande rengöringsmedel.

## MILJÖ



När ditt verktyg är utslitet, skydda naturen genom att inte slänga det tillsammans med vanligt avfall. Lämna det till de uppsamlingsställen som finns i din kommun eller där du köpt verktyget.

## GARANTI

Black & Decker garanterar att produkten är fri från material- och/eller fabriktionsfel vid leverans till kund. Garantin är i tillägg till konsumentens lagliga rättigheter och påverkar inte dessa. Garantin gäller inom medlemsstaterna i Europeiska Unionen och i det Europeiska Frihandelsområdet.

Om en Black & Decker produkt går sönder på grund av material- och/eller fabriktionsfel eller brister i överensstämmelse med specifikationen, inom 24 månader från köpet, åtar sig Black & Decker att reparera eller byta ut produkten med minsta besvär för kunden.

Garantin gäller inte för fel som beror på:

- ♦ normalt slitage
- ♦ felaktig användning eller skötsel
- ♦ att produkten skadats av främmande föremål, ämnen eller genom olyckshändelse

Garantin gäller inte om reparation har utförts av någon annan än en auktoriserad Black & Decker verkstad.

För att utnyttja garantin skall produkten och inköpskvittot lämnas till återförsäljaren eller till en auktoriserad verkstad senast 2 månader efter det att felet har upptäckts. För information om närmaste auktoriserad verkstad; kontakta det lokala Black & Decker kontoret på den adress som är angiven i bruksanvisningen. En lista på alla auktoriserade verkstäder samt servicevillkor finns även tillgängligt på Internet, adress:

[www.2helpU.com](http://www.2helpU.com).

## RESERVDELAR / REPARATIONER

Reservdelar finns att köpa hos auktoriserade Black & Decker verkstäder, som även ger kostnadsförslag och reparerar våra produkter.

Förteckning över våra auktoriserade verkstäder finns på Internet, vår hemsida [www.blackdecker.se](http://www.blackdecker.se) samt [www.2helpU.com](http://www.2helpU.com).

## ANDRA TRÄDGÅRDSREDSKAP

Black & Decker AB har ett brett sortiment av verktyg för utomhusbruk som gör arbetet i trädgården enklare. Kontakta närmaste Black & Decker återförsäljare för ytterligare information eller besök vår hemsida [www.blackdecker.se](http://www.blackdecker.se).

Mossrivare

Häcksaxar

Kedjesågar

Gräsklippare

Grästrimmare

Trädgårdsstädare

Kompostkvarnar

En del produkter är inte tillgängliga i alla länder.

## Tekniska data

		GT26	GT246	GT250	GT251	GT260	GT261	GT262
Spänning	$V_{AC}$	230	230	230	230	230	230	230
Ineffekt	W	350	350	380	380	380	380	380
Knivslag (obelastad)	$\text{min}^{-1}$	3.800	3.800	3.800	3.800	3.800	3.800	3.800
Svärdlängd	cm	41	41	41	41	51	51	51
Knivavstånd	mm	12	12	12	12	12	12	12
Knivarnas bromstid	s	< 1	< 1	< 1	< 1	< 1	< 1	< 1
Vikt	kg	2,4 - 2,5	2,4 - 2,5	2,4 - 2,5	2,4 - 2,5	2,4 - 2,5	2,4 - 2,5	2,4 - 2,5

# HEKKSAKS GT26/GT246/GT250/GT251/ GT260/GT261/GT262

## KJÆRE KUNDE!

Takk for at du har valgt et Black & Decker verktøy. Vi håper at du vil ha glede av dette verktøyet i mange år fremover.

## CE-SIKKERHETSERKLÆRING



GT26/GT246/GT250/GT251/GT260/  
GT261/GT262

Black & Decker erklærer at disse verktøyer er konstruert i henhold til:

98/37/EØF, 89/336/EØF, 73/23/EØF,  
EN 50144, EN 55014, EN 61000  
2000/14/EØF, Hekksaks ≤ 380 W, Annex V

Lydnivået, målt i henhold til 2000/14/EC:

$L_{pA}$ (lydnivå)	dB(A)	82
$L_{WA}$ (akustisk effekt)	dB(A)	95
$L_{WA}$ (garantert)	dB(A)	99



Bruk hørselsbeskyttelse dersom lydnivået overskrider 85 dB(A).

Den veide geometriske middelverdien av vibrasjonsfrekvensen i følge EN 50144:

< 2,5 m/s<sup>2</sup>

Kevin Hewitt

Director of Consumer Engineering  
Spennymoor, County Durham DL16 6JG,  
United Kingdom  
1-11-2003

## BRUKSOMRÅDER

Din Black & Decker hekksaks GT26/GT246/GT250/  
GT251/GT260/GT261/GT262 er konstruert for å  
klippe hekker og busker.

Verktøyet er tiltenkt kun for bruk i hjemmet.

## SIKKERHETSINSTRUKSJONER

### Symboler

Følgende symboler brukes i denne  
bruksanvisningen:



Betegner risiko for personskade,  
livsfare eller skade på verktøyet dersom  
instruksene i denne bruksanvisningen ikke  
følges.



Betegner risiko for elektrisk støt.



Les bruksanvisningen før du bruker  
verktøyet.

### Lær verktøyet å kjenne



- **Advarsel!** Ved bruk av elektroverktøy, må du alltid følge en del grunnleggende sikkerhetsregler, inkludert følgende, for å redusere faren for brann, elektrisk støt, personskade og materialskade.
- Ta deg tid til å lese nøye gjennom bruksanvisningen før du begynner å bruke verktøyet.
- Vær sikker på at du vet hvordan man slår av verktøyet før du begynner å bruke det.
- Oppbevar bruksanvisningen på et lett tilgjengelig sted.

## Generelt

### 1. Tenk på arbeidsmiljøets innvirkning

Utsett ikke verktøyet for regn. Bruk ikke verktøyet under våte eller fuktige forhold. Pass på at arbeidsområdet er godt opplyst. Bruk ikke verktøyet hvor det er fare for forårsaking av brann eller en eksplosjon, f. eks. i nærheten av brannfarlige væsker eller gasser. Hold arbeidsområdet ryddig.

### 2. Hold barn unna

Ikke la barn, besøkende eller dyr komme i nærheten av arbeidsområdet eller berøre verktøyet eller strømkabelen.

### 3. Kle deg riktig

Ha ikke på deg løstsittende klær eller smykker. De kan sette seg fast i de bevegelige delene. Vi anbefaler gummihansker og sko som ikke gli når du arbeider utendørs. Bruk hårnett hvis du har langt hår.

### 4. Personlig vern

Bruk vernebriller. Bruk en ansikts- eller støvmaske når operasjonene kan forårsake støv eller flyvende partikler. Bruk ørevern når støynivået virker ukomfortabelt.

### 5. Vern mot elektrisk støt

Unngå å komme i kontakt med jordede overflater (f.eks. metallrekkverk, lyktestolper osv.). Strømsikkerheten kan forbedres ytterligere ved bruk av jordfeilbryter med høy følsomhet (30 mA/30 mS).

### 6. Strekk deg ikke for langt

Pass på at du alltid har sikkert fotfeste og balanse.

### 7. Vær oppmerksom

Se på det du gjør. Bruk sunn fornuft. Bruk ikke maskinen når du er trett.

### 8. Sikre arbeidsstykket

Der det er aktuelt, må du bruke klemmer eller skrustikke til å holde fast arbeidsmenet. Dette er sikrere enn å bruke hånden, og du får begge hendene fri til å styre verktøyet.

### 9. Fjern nøkler

Gjør det til vane å sjekke om nøkler og justeringsverktøy er fjernet før verktøyet startes.

### 10. Skjøteledninger

Før bruk må du kontrollere skjøteledningen og bytte den ut hvis den er skadet. Bare bruk skjøteledninger beregnet på bruk utendørs.

## 11. Bruk riktig verktøy

Bruk ikke verktøyet til formål det ikke er ment for. Tving ikke en maskin til å gjøre arbeid som krever kraftigere verktøy. Bruk bare tilbehør og utstyr som anbefales i bruksanvisningen og i katalogene. Overbelast ikke verktøyet.

**Advarsel!** Bruk av annet verktøy eller tilbehør kan medføre en mulig risiko for personskade.

## 12. Sjekk verktøyet for skader

Kontroller verktøyet og strømledningen grundig for skade før bruk. Se etter feiljusteringer, om deler har satt seg fast eller har gått i stykker, skadede deksler og brytere eller andre forhold som kan påvirke bruken av verktøyet.

Kontroller at verktøyet fungerer som det skal og utfører beregnet funksjon.

Bruk aldri verktøyet hvis noen av delene er skadet. Ikke bruk verktøyet hvis det ikke er mulig å slå det på og av med strømbryteren. Hvis noen av delene er skadet så få de reparert eller byttet ut av et autorisert Black & Decker serviceverksted. Prøv aldri å reparere selv. Hvis strømledningen er skadet, må den byttes ut av en autorisert reparasjonstekniker for å unngå enhver risiko.

## 13. Trekk ut støpslet

Trekk ut støpslet når verktøyet ikke er i bruk, før du bytter noen av delene på verktøyet, tilbehør eller tilslutning og før vedlikeholdelse.

## 14. Unngå utilsiktet start

Bær aldri verktøyet med fingeren på strømbryteren. Pass på at verktøyet er slått av når du setter i støpslet.

## 15. Ikke mislighold ledningen

Ikke bær verktøyet etter ledningen eller trekk i ledningen når du skal ta ut støpslet. Utsett ikke ledningen for varme, olje, eller skarpe kanter.

## 16. Oppbevar verktøy på et trygt sted

Når verktøyet ikke er i bruk, bør det oppbevares på et tørt sted som er låst eller høyt oppe, utenfor barns rekkevidde.

## 17. Vær nøye med vedlikeholdet

Hold verktøyet rent og bruk skarpe tilbehør for bedre prestasjon og sikrere drift. Følg forskriftene når det gjelder vedlikehold og skifte av tilbehør. Hold håndtakene og brytere tørre, rene og fri for olje og fett.

## 18. Reparasjoner

Dette verktøyet overholder relevante sikkerhetskrav. Reparasjoner må bare utføres av autoriserte Black & Decker serviceverksteder som benytter originale reservedeler, ellers kan det være farlig å bruke utstyret.

### Ekstra sikkerhetsinstruksjoner for hekksakser



Ha på deg vernebriller når du bruker dette verktøyet.



Ha på deg hansker når du bruker dette verktøyet.



Ha på deg ørevern når du bruker dette verktøyet.



Trekk ut kontakten umiddelbart hvis ledningen er skadet eller avkuttet.



Utsett ikke verktøyet for regn eller høy fuktighet.

- Pass på at ikke ledningen kommer i kontakt med knivene når du bruker verktøyet.
- Hvis du ikke har brukt en hekksaks før, bør du søke praktisk veiledning hos en erfaren bruker i tillegg til å lese denne bruksanvisningen.
- Rør aldri knivene så lenge verktøyet er i gang.
- Prøv aldri å tvinge knivene til å stoppe.
- Legg ikke verktøyet fra deg før knivene har stoppet fullstendig.
- Sjekk knivene regelmessig for skade og slitasje. Ikke bruk verktøyet når knivene er slitte eller skadet.
- Pass på å unngå harde gjenstander (f.eks. ståltråd, gjerder) når du klipper. Skulle du allikevel komme borti harde gjenstander, slår du verktøyet av med en gang og sjekker om det er blitt skadet.
- Hvis verktøyet begynner å vibrere på en unormal måte, slår du det av med en gang og sjekker om det er blitt skadet.
- Hvis verktøyet blokkeres, må du slå det av med en gang. Trekk ut støpslet før du prøver å fjerne det som har satt seg fast.

- Sett sverdbeskyttelsen som følger med, over knivene etter bruk. Pass på at sverdet er dekket til under oppbevaring.
- Forsikre deg alltid om at alle beskyttelser er montert når du bruker verktøyet. Prøv aldri å bruke et ufullstendig verktøy eller et verktøy det er gjort ulovlige endringer på.
- La aldri barn få bruke verktøyet.

### ELEKTRISK SIKKERHET

Den elektriske motoren er kun konstruert for én spenning. Kontroller alltid at nettspenningen er i overensstemmelse med spenningen på typeskiltet.



Verktøyet er dobbeltisolert. Jordet ledning er derfor ikke nødvendig.

### Bruk med skjøteledning

Bruk en godkjent skjøteledning som er egnet til dette verktøyet's kraftbehov (se tekniske data). Bruk kun skjøteledning som er tillatt for utendørs bruk og merket for dette. Hvis du bruker en kabeltrommel, vikl alltid ut all ledningen.

### INNHOOLD I KARTONGEN

Kartongen inneholder:

- 1 Hekksaks
- 1 Sverdbeskyttelse
- 1 Beskyttelse
- 2 Skruer
- 1 Bruksanvisning

- Pakk forsiktig ut alle delene.
- Vær oppmerksom på at det kan finnes andre deler i pakken, avhengig av bokstavkoden etter katalognummeret til ditt verktøy.

### OVERSIKT (fig. A)

1. Fremre sikkerhetsstrømbryter
2. Strømbryter
3. Fremre håndtak
4. Beskyttelse
5. Kniv
6. Sverdbeskyttelse

## MONTASJE



Før monteringen, må du passe på at verktøyet er slått av og at kontakten er trukket ut.

Sett sverdbeskyttelsen på plass over knivene.

Du trenger en stjerneskrutrekker nummer 2 til montering.

### Montere beskyttelsen (fig. B)

- Plasser beskyttelsen (4) på maskinen som vist.
- Fest beskyttelsen med de to vedlagte skruene.



Du må aldri bruke verktøyet uten beskyttelsen.

### Koble verktøyet til strømtilførsel (fig. C)

Med mindre verktøyet er utstyrt med en strømkabel, må du koble en skjøteledning til strøminntaket.

- Koble hunnpluggen på en egnet skjøteledning til strøminntaket.
- Før skjøteledningen gjennom kabelholderen (7) som vist, for å unngå at den løsner under bruk.
- Sett støpslet inn i et strømuttak.



Skjøteledningen må være egnet for utendørs bruk.

## ANVENDELSE



- La verktøyet jobbe i sin egen hastighet. Ikke overbelast.
- Før ledningen gjennom åpningen og fest den rundt ledningholderen, som vist. Det kan være lurt å henge ledningen over skulderen.

### Start og stopp (fig. D)

For din egen sikkerhets skyld er dette verktøyet utstyrt med et dobbelt startesystem.

Dette systemet forhindrer at en ufrivillig starter verktøyet, og vil bare tillate drift når verktøyet blir holdt med begge hender.

### Starte

- Klem sammen både sikkerhetsstrømbryteren (1) og strømbryteren (2).

### Stoppe

- Slipp sikkerhetsstrømbryteren (1) på fronthåndtaket eller strømbryteren (2).



Prøv aldri å låse en strømbryter i startstilling.

### Råd for optimalt resultat

- Sett verktøyet litt på skrå (opp til 15° i relasjon til kuttlinjen) slik at knivspissene peker svakt mot hekken (fig. E). Dette vil gjøre at knivene klipper mer effektivt.
- Start med å klippe toppen av hekken. Hold verktøyet i den ønskede vinkelen og beveg det jevnt langs kuttlinjen. Den dobbeltvirkende kniven lar deg klippe i begge retninger.
- For å klippe helt rett, strekk en snor langs hekken i den høyden du ønsker. Bruk snoren som en siktelinje, og klipp like over den.
- For å få flate sider, klipp oppover med vokseretningen. Yngre grener vil falle utover hvis du klipper nedover, og lage tomme åpninger i hekken.
- Pass på å ikke komme bort i fremmedlegemer. Unngå spesielt harde gjenstander som ståltråd og gjerder, da disse kan skade knivene.
- Smør knivene regelmessig med olje.

## VEDLIKEHOLD

Ditt Black & Decker verktøy har blitt utformet for å være i drift over en lang periode med et minimum av vedlikeholdelse. Ved riktig vedlikehold og regelmessig rengjøring beholder verktøyet sin prestasjon.



Før du setter igang hvilke som helst vedlikeholdelse må verktøyet slås av og kontakten trekkes ut.

- Rengjør knivene omhyggelig etter hver bruk. Etter rengjøringen, smør på et tynt lag med lett maskinolje for å unngå at knivene rustner.
- Rengjør ventilasjonsåpningene på verktøyet regelmessig med en myk børste eller en tørr klut.

- Rengjør kåpen regelmessig med en fuktig klut. Ikke bruk etsende eller løsemiddelbaserte rengjøringsmidler.

## MILJØ



Når verktøyet ditt er utslitt, beskytt naturen ved ikke å kaste det sammen med vanlig avfall. Lever det til en oppsamlingsplass som finnes i din kommune eller der hvor du kjøpte verktøyet.

## GARANTI

Black & Decker garanterer at produktet ikke har material- og/eller fabrikkasjonsfeil ved levering til kunde. Garantien er i tillegg til kundens lovlige rettigheter og påvirker ikke disse. Garantien gjelder innen medlemsstatene i den Europeiske Unionen og i det Europeiske Frihandelsområdet.

Hvis et Black & Decker produkt går i stykker på grunn av material- og/eller fabrikkasjonsfeil eller har mangler i forhold til spesifikasjonene, innen 24 måneder fra kjøpet, påtar Black & Decker seg å reparere eller bytte ut produktet med minst mulig vanskelighet for kunden.

Garantien gjelder ikke for feil som kommer av:

- ◆ normal slitasje
- ◆ feilaktig bruk eller vedlikehold (mislighold)
- ◆ at produktet har blitt skadet av fremmede gjenstander, emner eller ved et uhell

Det gjøres oppmerksom på at produktet ikke er beregnet på industriell/profesjonell/yrkesmessig bruk, men til hus- og hjemmebruk.

Garantien gjelder ikke om reparasjoner har blitt utført av noen andre enn et autorisert Black & Decker serviceverksted.

For å ta garantien i bruk skal produktet og kjøpekvitte leveres til forhandleren eller til et autorisert serviceverksted senest 2 måneder etter at feilen har blitt oppdaget. For informasjon om nærmeste autoriserte serviceverksted; kontakt det lokale Black & Decker kontoret på den adressen som er angitt i bruksanvisningen.

En oversikt over alle autoriserte serviceverksteder samt servicevilkår finnes også tilgjengelig på Internet, adresse: [www.2helpU.com](http://www.2helpU.com).

## RESERVDELER / REPARASJONER

Reservdeler kan kjøpes hos autoriserte Black & Decker serviceverksteder, som også gir kostnadsoverslag og reparerer våre produkter.

Oversikt over våre autoriserte serviceverksteder finnes på Internet, vår hjemmeside [www.blackdecker.no](http://www.blackdecker.no) samt [www.2helpU.com](http://www.2helpU.com).

## ANDRE HAGEVERKTØY

Black & Decker har et bredt sortiment av verktøy for utendørsbruk som gjør arbeidet i hagen enklere. Kontakt nærmeste Black & Decker forhandler for ytterligere informasjon eller besøk vår hjemmeside: [www.blackdecker.no](http://www.blackdecker.no).

Mosefjerner  
Gressklippere  
Hekksakser  
Kjedesager  
Gresstrimmere  
Løvfjerner  
Kompostkverner

Ikke alle produkter er tilgjengelige i alle land.



## Tekniske data

		GT26	GT246	GT250	GT251	GT260	GT261	GT262
Spenning	$V_{AC}$	230	230	230	230	230	230	230
Inn-effekt	W	350	350	380	380	380	380	380
Slag (ubel.)	$\text{min}^{-1}$	3.800	3.800	3.800	3.800	3.800	3.800	3.800
Sverdlengde	cm	41	41	41	41	51	51	51
Tannavstand	mm	12	12	12	12	12	12	12
Knivbremsetid	s	< 1	< 1	< 1	< 1	< 1	< 1	< 1
Vekt	kg	2,4 - 2,5	2,4 - 2,5	2,4 - 2,5	2,4 - 2,5	2,4 - 2,5	2,4 - 2,5	2,4 - 2,5

# HÆKKEKLIPPER GT26/GT246/GT250/ GT251/GT260/GT261/GT262

Tak fordi du valgte Black & Decker. Vi håber, at du får glæde af dette værktøj i mange år fremover.

## EU-OVERENSSTEMMELSESERKLÆRING



GT26/GT246/GT250/GT251/GT260/  
GT261/GT262

Black & Decker erklærer, at disse værktøjer er konstrueret i henhold til: 98/37/EØF, 89/336/EØF, 73/23/EØF, EN 50144, EN 55014, EN 61000 2000/14/EØF, hækkeklipper ≤ 380 W, Annex V

Lydniveauet målt i henhold til 2000/14/EC:

$L_{pA}$ (lydniveau)	dB(A)	82
$L_{WA}$ (akustisk styrke)	dB(A)	95
$L_{WA}$ (garanteret)	dB(A)	99



Anvend høreværn, hvis lydniveauet overstiger 85 dB(A).

Den vægtede geometriske middelværdi af accelerationsfrekvensen i henhold til EN 50144:

< 2,5 m/s<sup>2</sup>

Kevin Hewitt

Director of Consumer Engineering  
Spennymoor, County Durham DL16 6JG,  
United Kingdom  
1-11-2003

## ANVENDELSESOMRÅDE

Deres Black & Decker hækkeklipper GT26/GT246/GT250/GT251/GT260/GT261/GT262 er designet til at klippe hække, buske og krat. Værktøjet er kun beregnet til privat brug.

## SIKKERHEDSINSTRUKTIONER

### Piktogrammer

Følgende piktogrammer anvendes i denne brugsanvisning:



Angiver risiko for personskade, livsfare eller ødelæggelse af værktøjet, hvis brugsanvisningens instruktioner ikke følges.



Angiver risiko for elektrisk stød.



Læs brugsanvisningen igennem, inden værktøjet tages i brug.

### Lær værktøjet at kende



- **Advarsel!** Ved brugen af elværktøj skal de grundlæggende sikkerhedsforanstaltninger altid følges, således at risikoen for brand, elektrisk stød, person- og materialeskader begrænses.
- Læs brugsanvisningen igennem, inden værktøjet tages i brug.
- Du skal sikre dig, at du ved, hvordan værktøjet slukkes, inden det tages i brug.
- Opbevar brugsanvisningen let tilgængeligt.

## Generelt

### 1. Tænk på arbejdsmiljøets indflydelse

Udsæt ikke værktøjet for regn. Anvend ikke værktøjet på fugtige eller våde pladser. Sørg for en god belysning over arbejdsområdet. Anvend ikke værktøjet hvor der eksisterer risiko for at brand kan opstå eller eksplosioner forekomme, som følge af brug af værktøjet. F. eks. aldrig i nærheden af let antændelige væsker eller gasser. Arbejdsområdet skal holdes fri for affald og forstyrrende genstande.

### 2. Hold børnene på afstand

Børn, besøgende eller dyr må ikke nærme sig arbejdsområdet eller røre ved værktøjet eller netkablet.

### 3. Klæd dig rigtigt på

Bær ikke løst hængende tøj eller smykker. De kan sidde fast i bevægelige dele. Gummihandsker og skridsikre sko anbefales ved udendørs arbejde. Brug håmet, hvis du har langt hår.

### 4. Personlig beskyttelse

Brug beskyttelsesbriller. Brug ansigts- eller støvmaske, når brug af værktøjet kan medføre støv eller flyvende partikler. Brug høreværn, hvis lydniveauet virker generende.

### 5. Beskyttelse mod elektrisk stød

Undgå kropskontakt med jordede overflader (f.eks. metalgelændere, lygtepæle osv.). Den elektriske sikkerhed kan forbedres yderligere ved brug af fejlstrømsafbryder med høj følsomhed (30 mA/30 mS).

### 6. Stræk dig ikke for meget

Sørg for, at du altid har sikkert fodfæste og balance.

### 7. Vær opmærksom

Se på det, du gør. Brug din sunde fornuft. Brug ikke værktøjet, når du er træt.

### 8. Sæt arbejdsemnet fast

Brug skruetvinger eller en skruestik til at spænde arbejdsemnet fast, når det er relevant.

### 9. Fjern nøglerne

Kontroller at nøgler og justerværktøj er fjernet fra værktøjet, inden det startes.

### 10. Forlængerkabler

Før brugen skal forlængerkablet efterses og udskiftes, hvis det er skadet. Brug kun specielle forlængerkabler til udendørs brug.

## 11. Brug det rigtige værktøj

Brug ikke værktøjet til formål, det ikke er beregnet til. Tving ikke elværktøj til at udføre arbejde, som er beregnet til kraftigere værktøj. Brug kun tilbehør og dele, der er anbefalet i brugsanvisningen og katalogerne. Værktøjet må ikke forceres.

**Advarsel!** Anvendelsen af andet tilbehør kan medføre risiko for personskader.

## 12. Kontroller værktøjet for skader

Kontrollér omhyggeligt værktøjet og netkablet for beskadigelser, før det tages i brug.

Check de bevægelige dele for skæv indstilling og sammenbrændinger, kontrollér for brud på dele, skader på skærme og kontakter samt alt andet, der kan påvirke værktøjets funktion.

Kontrollér at værktøjet fungerer rigtigt og vil udføre det arbejde, det er beregnet til.

Værktøjet må ikke benyttes, hvis en del er beskadiget. Brug ikke værktøjet, hvis det ikke kan tændes og slukkes ved afbryderen.

Defekte dele skal repareres eller udskiftes af en autoriseret tekniker.

Man må aldrig forsøge selv at reparere værktøjet. Hvis netkablet er skadet, skal det udskiftes af en autoriseret reparatør for at undgå ulykker.

## 13. Afbryd værktøjet

Afbryd værktøjet når det er ude af brug og før udskiftning af enhver værktøjsdel, tilbehør eller andet udstyr.

## 14. Undgå utilsigtet start af værktøjet

Man må ikke bære værktøjet med en finger på tænd/sluk knappen. Sørg for, at værktøjet er slukket, når ledningen tilsluttes strømmen.

## 15. Vær forsigtig med ledningen

Man må aldrig bære værktøjet i ledningen eller tage det ud af stikkontakten ved at rive i ledningen. Ledningen skal holdes på afstand fra varme, olie og skarpe kanter.

## 16. Opbevar værktøjet sikkert

Når værktøjet ikke er i brug, skal det opbevares på et tørt sted, aflåst eller anbragt højt udenfor børns rækkevidde.

## 17. Vedligehold værktøjet omhyggeligt

Skærende værktøj skal holdes skarpe og rene, for på denne måde at opnå et bedre og mere sikkert brug.

Følg vedligeholdelsesvejledningen samt vejledningen til udskiftning af tilbehør. Hold håndtagene og knapperne tørre, rene og fri for olie og fedt.

## 18. Reparationer

Dette værktøj opfylder de relevante sikkerhedskrav. Reparationer må kun foretages af dertil kvalificerede personer, som bruger originale reservedele; ellers kan der opstå betydelig fare for brugeren.

### Yderligere sikkerhedsvejledninger til hækkeklippere



Det anbefales at bære sikkerhedsbriller, når man arbejder med dette værktøj.



Man skal bruge handsker, når man arbejder med dette værktøj.



Man skal benytte høreværn, når man arbejder med dette værktøj.



Afbryd øjeblikkeligt kablet fra kontakten, hvis det bliver beskadiget eller skåret over.



Udsæt ikke værktøjet for regn eller høj fugtighed.

- Hold kablet væk fra knivene under arbejdet med dette værktøj.
- Hvis man aldrig har benyttet en hækkeklipper før, er det anbefalelsesværdigt at bede om praktisk hjælp fra en øvet bruger samtidig med, at denne brugervejledning skal læses.
- Man må aldrig berøre knivene, mens værktøjet er i gang.
- Man må aldrig tvinge knivene til standsning.
- Man må ikke stille værktøjet fra sig, før knivene er fuldstændigt stoppet.
- Kontrollér regelmæssigt knivene for beskadigelser og slid. Man må ikke benytte værktøjet, hvis knivene er blevet slidt eller beskadiget.
- Man skal undgå hårde genstande (f.eks. metalwirer, stakitter), når man klipper. Skulle man ved et uheld komme til at ramme en sådan genstand, skal man straks slukke for værktøjet og checke det for skader.

- Hvis værktøjet begynder at vibrere på unormal vis, skal det straks slukkes og checkes for skader.
- Hvis værktøjet går i stå, skal det straks slukkes. Man skal afbryde værktøjet, før man forsøger at fjerne obstruerende genstande.
- Efter brug skal den medfølgende knivbeskytter sættes over knivene. Ved opbevaring af værktøjet skal man sikre sig, at knivene ikke er fremme.
- Sørg altid for, at alle sikkerhedsanordningerne sidder fast, når værktøjet er i brug. Forsøg aldrig at bruge et ukomplet værktøj eller et værktøj, der er blevet ændret på en uautoriseret måde.
- Lad aldrig børn bruge værktøjet.

## ELEKTRISK SIKKERHED

Elmotoren er kun beregnet til én spænding. Kontroller, at strømforsyningen svarer til spændingen på typeskiltet.



Værktøjet er dobbelt isoleret; jordledning er derfor ikke påkrævet.

## Anvendelse af forlængerledning

Der skal bruges et forlængerledning svarende til maskinens strømforbrug (se de tekniske specifikationer). Der må kun anvendes forlængerledninger, der er godkendt til udendørs brug og mærkede til dette. Den mindste lederstørrelse er 1,5 mm<sup>2</sup>. Ved anvendelse af en kabeltromle, skal kablet altid vindes helt ud.

## KASSENS INDHOLD

Kassen indeholder følgende:

- 1 Hækkeklipper
  - 1 Knivbeskytter
  - 1 Beskyttelsesskærm
  - 2 Skruer
  - 1 Brugsvejledning
- Pak forsigtigt alle dele ud.
  - Bemærk, at kassen kan indeholde ekstra dele, afhængig af sidste bogstav i katalognummeret på værktøjet.

## OVERSICHT (fig. A)

1. Knap på forreste håndtag
2. Startknap
3. Forreste håndtag
4. Beskyttelsesskærm
5. Kniv
6. Knivbeskytter

## MONTERING



Før montering skal man sikre sig, at værktøjet er slukket og taget ud af stikkontakten.

Anbring knivbeskytteren på knivene.

Brug en Pozidriv skruetrækker nr. 2 for montering.

### På sætning af beskyttelsesskærmen (fig. B)

- Placer beskyttelsesskærmen (4) på værktøjet som vist.
- Skru beskyttelsesskærmen fast ved hjælp af de to medfølgende skruer.



Benyt aldrig værktøjet uden beskyttelsesskærmen.

### Tilslutning af værktøjet til elnettet (fig. C)

Hvis værktøjet ikke er monteret med et strømkabel, skal der sluttes en forlængerledning til elstikket.

- Sæt hunstikket på en passende forlængerledning i elstikket.
- Sno forlængerledningen gennem kabelfastspændingen (7) som vist for at forhindre den i at løsne sig under brug.
- Indsæt stikket i stikkontakten.



Forlængerledningen skal være velegnet til udendørs brug.

## ANVENDELSE



- Lad værktøjet arbejde i dets eget tempo. Man må ikke overbelaste det.
- Arbejd forsigtigt med kablet for at undgå at komme til at klippe det over. Det er en god ide at styre kablet ved at tage det over skulderen.

## Start og stop (fig. D)

For brugerens sikkerhed er dette værktøj udstyret med et dobbelt tændingssystem. Dette system modvirker, at værktøjet går i gang uden varsel. Samtidig er det kun muligt at betjene værktøjet, når man holder det med begge hænder.

### Tænd

- Tryk samtidig på knappen på det forreste håndtag (1) og startknappen (2).

### Sluk

- Slip knappen på det forreste håndtag (1) eller startknappen (2).



Forsøg aldrig at låse en knap fast på positionen "on".

## Gode råd til optimal brug

- Vip værktøjet let (op til 15° i forhold til klippelinien) således, at knivspidsen peger let imod hækken (fig. E). Dette gør, at knivene klipper mere effektivt.
- Start med at klippe toppen af hækken. Hold værktøjet i den ønskede vinkel, og bevæg det roligt langs med klippelinien. De dobbeltsidede knive gør, at man kan klippe i begge retninger.
- For at opnå en meget lige hæk kan man trække en tråd langs med hækken i den ønskede højde. Brug tråden som en retningsssnor, og skær lige over den.
- For at opnå flade sider skal man klippe opad i vækstretningen. Yngre grene stikker ud, hvis man fører kniven nedad, og det vil medføre ulige mønstre i hækken.
- Man skal omhyggeligt undgå fremmedlegemer. Undgå især hårde genstande, f.eks. metalwirer og stakitter, idet de kan beskadige knivene.
- Smør knivene regelmæssigt.

## Hvornår skal hækken klippes?

- Generelt kan hække og buske med årsskud klippes i juni og oktober.
- Stedegrøne planter kan klippes i april og august.
- Hurtigt voksende planter kan klippes hver 6. uge fra maj og fremover.

## VEDLIGEHOLDELSE

Deres Black & Decker værktøj er blevet designet til at være i drift gennem en længere periode med en minimal vedligeholdelse. Fortsat tilfredsstillende drift afhænger af en korrekt behandling af værktøjet samt regelmæssig rengøring.



Før udførelse af vedligeholdelsesarbejde, skal værktøjet slukkes og tages ud af stikkontakten.

- Efter brug skal knivene rengøres grundigt. Efter rengøring skal man smøre knivene med maskinolie for at undgå, at de rustner.
- Man skal regelmæssigt rengøre værktøjets ventilationshuller med en blød børste eller en tør klud.
- Man skal regelmæssigt rengøre motorkassen med en fugtig klud. Man må ikke benytte slibemidler eller opløsningsmidler.

## MILJØ



Når dit værktøj er udtjent, beskyt da naturen ved ikke at smide det ud sammen med det almindelige affald. Aflever det til de opsamlingssteder, der findes i din kommune eller der hvor du købte værktøjet.

## GARANTI

Black & Decker garanterer, at produktet er fri for materielle skader og/eller fabrikations- fejl ved levering til kunden. Garantien er et tillæg til konsumentens lovlige rettigheder og påvirker ikke disse. Garantien gælder indenfor medlemsstaterne af den Europæiske Union og i det Europæiske Frihandelsområde.

Hvis et Black & Decker produkt går i stykker på grund af materiel skade og/eller fabrikationsfejl eller på anden måde ikke fungerer i overensstemmelse med specifikationen, inden for 24 måneder fra købsdatoen, påtager Black & Decker sig at reparere eller ombytte produktet med mindst muligt besvær for kunden.

Garantien gælder ikke for fejl og mangler, der er sket i forbindelse med:

- ♦ normal slitage
- ♦ uheldige følger efter unormal anvendelse af værktøjet
- ♦ overbelastning, hærværk eller overdrevent intensivt brug af værktøjet
- ♦ ulykkehændelse

Garantien gælder ikke hvis reparationer er udført af nogen anden end et autoriseret Black & Decker værksted.

For at udnytte garantien skal produktet og købskvitteringen indleveres til forhandleren eller til et autoriseret værksted, senest 2 måneder efter at fejlen opdages. For information om nærmeste autoriserede værksted: kontakt det lokale Black & Decker kontor på den adresse som er opgivet i brugsanvisningen. Liste over alle autoriserede Black & Decker serviceværksteder samt servicevilkår er tilgængelig på internettet, på adressen [www.2helpU.com](http://www.2helpU.com).

## RESERVEDELE / REPARATIONER

Reserve dele kan købes hos autoriserede Black & Decker serviceværksteder, som giver forslag til omkostninger og reparerer vore produkter. Oversigt over vore autoriserede værksteder findes på internettet på vor hjemmeside [www.blackdecker.dk](http://www.blackdecker.dk) samt [www.2helpU.com](http://www.2helpU.com).

## ANDET HAVEVÆRKTØJ

Black & Decker har et stort sortiment af haveværktøj, som gør havearbejdet let. Hvis De ønsker yderligere information omkring vore produkter, bedes De sætte Dem i kontakt med vore Service- og informationscentre, eller sæt Dem i forbindelse med Deres lokale Black & Decker forhandler.

Græstrimmere  
Kædesave  
Hækkeklippere  
Beskærersakse  
Plæneklippere  
Løvsugere  
Kompostkvarne

En del af produkterne findes ikke i alle lande.

## Tekniske data

		GT26	GT246	GT250	GT251	GT260	GT261	GT262
Spænding	V <sub>AC</sub>	230	230	230	230	230	230	230
Motoreffekt	W	350	350	380	380	380	380	380
Knivstød (uden belastning)	min <sup>-1</sup>	3.800	3.800	3.800	3.800	3.800	3.800	3.800
Knivlængde	cm	41	41	41	41	51	51	51
Knivafstand	mm	12	12	12	12	12	12	12
Bremsetid	s	< 1	< 1	< 1	< 1	< 1	< 1	< 1
Vægt	kg	2,4 - 2,5	2,4 - 2,5	2,4 - 2,5	2,4 - 2,5	2,4 - 2,5	2,4 - 2,5	2,4 - 2,5

# PENSASLEIKKURI GT26/GT246/GT250/ GT251/GT260/GT261/GT262

Kiitos, että olet valinnut Black & Decker -koneen. Toivomme, että nautit koneen käytöstä monen vuoden ajan.

## CE- VAATIMUSTENMUKAISUUSVAKUUTUS



GT26/GT246/GT250/GT251/GT260/  
GT261/GT262

Black & Decker vakuuttaa, että nämä työkalut ovat  
98/37/EC, 89/336/EEC, 73/23/EEC,  
EN 50144, EN 55014, EN 61000 mukaiset.  
2000/14/EC, pensasleikkuri ≤ 380 W,  
Annex V

Melutaso, mitattu 2000/14/EC:n mukaisesti:

$L_{pA}$ (äänenpaine)	dB(A)	82
$L_{WA}$ (ääniteho)	dB(A)	95
$L_{WA}$ (taattu)	dB(A)	99



Käytä kuulosuojaimia, jos melutaso ylittää  
85 dB(A).

Tärinätaajuuden painotettu geometrinen keskiarvo  
EN 50144 mukaisesti:

< 2,5 m/s<sup>2</sup>

Kevin Hewitt  
Director of Consumer Engineering  
Spennymoor, County Durham DL16 6JG,  
United Kingdom  
1-11-2003

## KÄYTTÖTARKOITUS

Black & Deckerin pensasleikkuri GT26/GT246/  
GT250/GT251/GT260/GT261/GT262 on  
suunniteltu pensasaitojen ja pensaiden  
leikkaamiseen. Kone on tarkoitettu kotikäyttöön.

## TURVALLISUUSOHJEET

### Merkit

Tässä käyttöohjeessa käytetään seuraavia  
merkkejä:



Osoittaa henkilövahingon,  
hengenmenetyksen tai konevaurion  
vaaraa, mikäli käyttöohjeen neuvoja ei  
noudateta.



Osoittaa sähköiskun vaaraa.



Lue käyttöohje huolellisesti ennen koneen  
käyttöönottoa.

### Tutustu koneeseen



- **Varoitus!** Sähkötyökaluja käytettäessä on aina noudatettava mm. seuraavia turvallisuusohjeita, jotta tulipalojen, sähköiskujen, henkilövahinkojen ja materiaalivaurioiden riski olisi mahdollisimman pieni.
- Varmista, että osaat sammuttaa koneen, ennen kuin käynnistät sen.
- Säilytä käyttöohje kaikkien koneen käyttäjien ulottuvilla.



## Yleistä

### 1. Ajattele työskentelyalueen vaikutusta työhösi

Älä altista sähkötyökaluja sateelle äläkä käytä niitä kosteissa tai märissä paikoissa.

Järjestä työskentelyalueelle hyvä valaistus.

Älä käytä konetta paikassa, jossa on tulipalo- tai räjähdysvaara, esim. palavien nesteiden tai kaasujen läheisyydessä. Pidä työskentelyalue puhtaana.

### 2. Työskentele lasten ulottumattomissa

Älä anna lasten, vieraiden tai eläinten tulla lähelle työskentelyaluetta tai koskea koneeseen tai sähköjohtoon.

### 3. Pukeudu asianmukaisesti

Älä käytä liian väljiä vaatteita tai koruja.

Ne voivat tarttua liikkuviin osiin. Käytä ulkona työskennellessäsi kumihansikkaita ja liukumattomia kenkiä. Jos sinulla on pitkät hiukset, käytä hiusverkkoa.

### 4. Suojavaatetus

Käytä suojalaseja. Käytä kasvosuojaa, jos työskennellessä syntyy pölyä tai hiukkasia. Käytä kuulosuojaimia, jos melutaso tuntuu epämukavalta.

### 5. Suojaudu sähköiskuilta

Vältä kosketusta maadoitettuihin pintoihin (esim. metallikaiteisiin, lyhtypylväisiin jne.). Sähköistä turvallisuutta voidaan parantaa käyttämällä erittäin herkkää (30 mA/30 mS) vikavirtasuojaa.

### 6. Älä kurottele

Seiso aina tukevasti ja tasapainossa.

### 7. Ole tarkkaavainen

Keskity työhösi. Käytä tervettä järkeä. Älä käytä sähkötyökalua, kun olet väsynyt.

### 8. Kiinnitä työstökappale kunnolla

Käytä tarvittaessa ruuvipuristinta tai -kappaletta, jotta työstökappale pysyy kunnolla kiinni. Näin saat molemmat kädet vapaaksi työhön.

### 9. Poista avaimet

Poista säätöavaimet ja asennustyökalut koneesta ennen kuin käynnistät sen.

### 10. Jatkojohdot

Tarkista jatkojohto ennen käyttöä, ja vaihda vaurioitunut johto uuteen. Käytä vain ulkokäyttöön tarkoitettuja jatkojohtoja.

### 11. Käytä oikeaa työkalua

Käytä työkalua ainoastaan sellaiseen työhön, johon se on tarkoitettu. Käytä vain käyttöohjeessa ja tuotekuvastossa suositeltuja tarvikkeita ja lisälaitteita. Jonkin muun laitteen käyttö voi aiheuttaa onnettomuuden.

Älä ylikuormita konetta.

### 12. Tarkista, että työkalu on kunnossa

Tarkista ennen käyttöä, ettei kone tai sähköjohto ole vaurioitunut. Tarkista, etteivät liikkuvat ja muut osat sekä suoja ole viallisia, ja että kaikki muut käyttöön mahdollisesti vaikuttavat tekijät ovat kunnossa. Varmista, että työkalu toimii oikein ja täyttää tehtävänsä. Älä käytä konetta, jos jokin sen osista on viallinen tai se ei käynnisty ja pysähdy virrankatkaisijasta.

Viallinen osa tulee korjata tai vaihtaa valtuutetussa Black & Deckerin huoltoliikkeessä. Älä koskaan yritä korjata konetta itse. Viallinen johto tulee vaihtaa valtuutetussa Black & Deckerin huoltoliikkeessä.

### 13. Irrota kone virtalähteestä

Irrota kone virtalähteestä, kun konetta ei käytetä, ennen minkään koneen osan, tarvikkeen tai lisävarusteen vaihtamista, sekä ennen huoltoa.

### 14. Vältä tahatonta käynnistämistä

Älä koskaan kanna konetta sormet kiinni virrankatkaisijassa. Varmista, että kone on pois päältä, ennen kuin kytket sen virtalähteeseen.

### 15. Huolehdi johdon kunnosta

Älä koskaan kanna konetta johdosta äläkä irrota pistoketta virtalähteestä vetämällä johdosta. Suojaa johto kuumuudelta, öljyltä ja teräviltä reunoilta.

### 16. Säilytä työkalua oikein

Kun konetta ei käytetä, säilytä sitä kuivassa, lukitussa paikassa tai korkealla lasten ulottumattomissa.

### 17. Hoida työkalua huolellisesti

Pidä työkalu puhtaana ja käytä teräviä teriä tehokasta ja turvallista työskentelyä varten. Noudata huollosta ja tarvikkeiden vaihdosta annettuja ohjeita. Pidä virrankatkaisija ja kädensijat kuivina ja puhtaina öljystä ja rasvasta.

## 18. Korjaukset

Tämä työkalu täyttää asianomaiset turvallisuusvaatimukset. Korjauksia saa tehdä vain

valtuutettu Black & Deckerin huoltoliike, joka käyttää alkuperäisiä varaosia.

Muussa tapauksessa käyttäjä saattaa joutua vaaratilanteisiin.

### Lisäturvaohteet pensasleikkureille



Käytä suojalaseja konetta käyttäessäsi.



Käytä työhansikkaita konetta käyttäessäsi.



Käytä kuulosuojaimia konetta käyttäessäsi.



Irrota pistoke virtälähteestä heti, jos johto on vioittunut.



Älä altista konetta sateelle tai kosteudelle.

- Varmista aina, että johto on pois terien tieltä, kun käytät konetta.
- Ellet ole käyttänyt pensasleikkuria aikaisemmin suosittelemme, että pyydät käytännön neuvoja tottuneelta käyttäjältä sekä luet käyttöohjeen tarkasti.
- Älä koskaan kosketa terää, kun kone on käynnissä.
- Älä koskaan pakota teriä pysähtymään.
- Älä aseta konetta maahan ennen kuin terät ovat täysin pysähtyneet.
- Tarkista säännöllisesti, ovatko terät vaurioituneet tai kuluneet. Älä käytä konetta, mikäli terät ovat kuluneet tai vialliset.
- Varo kovia esineitä (esim. metallilankaa, kaiteita) leikatessasi. Mikäli osut vahingossa tällaiseen esineeseen, sammuta kone välittömästi ja tarkista mahdolliset vahingot.
- Mikäli kone alkaa täristä epätavallisesti, sammuta se välittömästi ja tarkista mahdolliset vahingot.

- Mikäli kone jumiuuu, pysäytä se välittömästi. Irrota pistoke virtälähteestä ennen kuin yrität poistaa tukkeutumia.
- Aseta koneeseen kuuluva teränsuojus paikoilleen käytön jälkeen. Säilytä konetta siten, että terä ei ole näkyvillä.
- Varmista aina, että kaikki suojat ovat paikallaan konetta käytettäessä. Älä koskaan käytä konetta, jonka kaikki osat eivät ole oikein paikallaan tai johon on tehty muutoksia jonkun muun kuin valtuutetun huoltoliikkeen toimesta.
- Älä koskaan anna lasten käyttää konetta.

### SÄHKÖINEN TURVALLISUUS

Sähkömoottori on suunniteltu käytettäväksi vain yhdellä jännitteellä. Tarkista aina, että virtälähde vastaa arvokilvessä ilmoitettua jännitettä.



Kone on kaksoiseristetty.

### Jatkojohton käyttö

Käytä hyväksytyä jatkojohtoa, joka sopii työkalun virran käyttöön (katso tekniset tiedot).

Ulkona työskennellessä tulee aina käyttää ulkokäyttöön valmistettuja ja siten merkittyjä jatkojohtoja. Jos käytät jatkojohtokelaa, kelaa johto aina täysin auki.

### PAKKAUKSEN SISÄLTÖ

Pakkaus sisältää:

- 1 Pensasleikkuri
- 1 Teränsuojus
- 1 Suoja
- 2 Ruuvia
- 1 Käyttöohje

- Pura kaikki osat pakkauksesta varovaisesti.
- Huomaa, että pakkauksessa voi olla lisäksi muita tarvikkeita riippuen koneen tuotenumeron perässä olevasta kirjaimesta.

### YLEISKUVAUS (kuva A)

1. Etumainen turvavirrankatkaisija
2. Virrankatkaisija
3. Etukahva
4. Suoja

5. Terä
6. Teränsuojus

## KOKOAMINEN



Ennen kokoamista varmista, että kone on pois päältä eikä sitä ole liitetty virtalähteeseen.

Aseta teränsuojus terien päälle.

Asentamiseen tarvitset Pozidrive-ruuvitaltan nro 2.

### Suojan kiinnittäminen (kuva B)

- Aseta suoja (4) työkaluun kuvan osoittamalla tavalla.
- Kiinnitä suoja kahdella mukana toimitetulla ruuvilla.



Älä koskaan käytä konetta, jos suoja ei ole paikallaan.

### Koneen liittäminen verkkovirtaan (kuva C)

Jos koneeseen ei ole asennettu virtajohtoa, virransyöttöliitintään täytyy liittää jatkojohto.

- Kiinnitä sopivan jatkojohdon naarasliitin virransyöttöliitintään.
- Laita jatkojohto lenkille johdon pidikkeen (7) läpi kuten kuvassa, jottei se pääse irtoamaan käytön aikana.
- Laita pistoke virtalähteeseen.



Jatkojohdon tulee olla ulkokäyttöön tarkoitettu.

## KÄYTTÖ



- Anna koneen käydä omaan tahtiinsa. Älä ylikuormita sitä.
- Ohjaa ja käsittele johtoa huolellisesti, jottet leikkaa sitä vahingossa. Hyvä tapa käsitellä johtoa on laittaa se kulkemaan olkapään yli.

### Käynnistys ja pysäytys (kuva D)

Turvallisuussyistä koneessa on kaksoisvirrankatkaisija.

Tällä tavoin estetään koneen käynnistyminen vahingossa, ja sitä voidaan käyttää vain pitämällä kiinni molemmin käsin.

### Käynnistys

- Paina sekä etumaista turvavirrankatkaisijaa (1) että virrankatkaisijaa (2).

### Pysäytys

- Päästä irti etumaisesta turvavirrankatkaisijasta (1) tai virrankatkaisijasta (2).



Älä koskaan yritä lukita virrankatkaisijaa käynnistysasentoon.

### Vinkkejä parhaimman tuloksen saamiseksi

- Kallista konetta hiukan (korkeintaan 15° kulmaan leikkauslinjaan nähden) niin, että terän kärjet osoittavat pensasta kohden (kuva E). Tällä tavoin terät leikkaavat tehokkaammin.
- Aloita leikkaaminen pensaan yläreunasta. Pidä konetta halutussa kulmassa ja liikuta sitä rauhallisesti ja tasaisesti leikkauslinjaa pitkin. Kaksipuolisesti leikkaavat terät sallivat leikkaamisen molempiin suuntiin.
- Jotta leikkausjälki olisi mahdollisimman suora, pensasaidan koko pituudelle voidaan pingottaa naru halutulle korkeudelle. Käytä narua viitelinjana ja leikkaa juuri sen yläpuolelta.
- Jotta sivuista tulisi tasaisia, leikkaa alhaalta ylöspäin siihen suuntaan, mihin pensas kasvaa. Nuoret oksat kallistuvat ulospäin, jos leikkaat ylhäältä alaspäin. Tämä aiheuttaa aukkoja pensasaitaan.
- Ole varovainen; vältä kaikkia asiaankuulumattomia esineitä. Vältä erityisesti kovia esineitä, kuten metallilankaa tai aitoja; nämä voivat vahingoittaa teriä.
- Voitele terät säännöllisesti.

## HUOLTO

Black & Deckerin kone on suunniteltu toimimaan mahdollisimman pitkän aikaa mahdollisimman vähällä huollolla. Oikealla huollolla ja säännöllisellä puhdistuksella kone säilyttää suorituskykynsä.



Ennen huoltoa ja puhdistusta tulee koneen olla pois päältä ja pistokkeen irti virtalähteestä.

- Puhdista terät hyvin jokaisen käyttökerran jälkeen. Levitä puhdistuksen jälkeen ohut kerros kevyttä voiteluöljyä terille ruostumisen estämiseksi.
- Puhdista koneen ilma-aukot säännöllisesti pehmeällä harjalla tai kuivalla rievulla.
- Puhdista koneen kuori säännöllisesti kostealla rievulla. Älä koskaan käytä puhdistamiseen liuotainaineita tai syövyttäviä puhdistusaineita.

## YMPÄRISTÖ



Kun koneesi on käytetty loppuun, älä heitä sitä tavallisten roskien mukana pois, vaan vie se paikkakuntasi kierrätyskeskukseen tai jätä valtuutettuun Black & Deckerin huoltoliikkeeseen.

## TAKUU

Black & Decker Oy takaa, ettei koneessa ollut materiaali- ja/tai valmistusvikaa silloin, kun se toimitettiin ostajalle. Takuu on lisäys kuluttajan laillisiin oikeuksiin eikä vaikuta niihin. Takuu on voimassa Euroopan Unionin jäsenmaissa ja Euroopan vapaakauppa-alueella (EFTA).

Mikäli Black & Decker -kone hajoaa materiaali- ja/tai valmistusvirheen tai teknisten tietojen epätarkkuuden vuoksi 24 kk:n kuluessa ostopäivästä, Black & Decker korjaa koneen ilman kustannuksia ostajalle tai vaihtaa sen uuteen Black & Decker Oy:n valinnan mukaan.

Takuu ei kata vikoja, jotka johtuvat koneen

- ◆ normaalista kulumisesta
- ◆ ylikuormituksesta, virheellisestä käytöstä tai hoidosta
- ◆ vahingoittamisesta vieraalla esineellä tai aineella tai onnettomuustapauksessa.

Takuu ei ole voimassa, mikäli konetta on korjannut joku muu kuin Black & Deckerin valtuuttama huoltoliike.

Edellytyksenä takuun saamiselle on, että ostaja jättää koneen ja ostokuitin jälleenmyyjälle tai valtuutetulle huoltoliikkeelle viimeistään 2 kuukauden kuluessa vian ilmenemisestä. Tiedot valtuutetuista huoltoliikkeistä saa ottamalla yhteyttä Black & Decker Oy:hyn sekä internetistä osoitteesta [www.2helpU.com](http://www.2helpU.com), jossa on myös takuehdot.

## KORJAUKSET / VARAOSAT

Mikäli koneeseen tulee vikaa, jätä se aina Black & Deckerin valtuuttamaan huoltoliikkeeseen korjattavaksi (tiedot löytyvät uusimmasta tuoteluettelostamme tai ottamalla yhteyttä Black & Decker Oy:hyn). Varaosia myyvät valtuutetut Black & Deckerin huoltoliikkeet, ja heiltä voi myös pyytää kustannusarvion koneen korjauksesta.

Tiedot valtuutetuista huoltoliikkeistä löytyvät myös internetistä osoitteesta [www.2helpU.com](http://www.2helpU.com) sekä kotisivuiltamme [www.blackdecker.fi](http://www.blackdecker.fi).

## MUITA PUUTARHATYÖKALUJA

Black & Deckerillä on laaja valikoima puutarhakoneita, jotka tekevät puutarhan hoidon helpoksi. Lisätietoja alla olevista tuotteista saat Black & Deckerin jälleenmyyjältä tai kotisivuiltamme [www.blackdecker.fi](http://www.blackdecker.fi).

Sammaleenpoistajat

Pensasleikkurit

Ketjusahat

Puutarhanpuhdistaja

Nurmikonviimeistelijät

Ruohonleikkurit

Oksasilppurit

## Tekniset tiedot

		GT26	GT246	GT250	GT251	GT260	GT261	GT262
Jännite	$V_{AC}$	230	230	230	230	230	230	230
Ottoteho	W	350	350	380	380	380	380	380
Leikkuuliikkeitä (kuormittamaton)	$\text{min}^{-1}$	3.800	3.800	3.800	3.800	3.800	3.800	3.800
Terän pituus	cm	41	41	41	41	51	51	51
Hammasväli	mm	12	12	12	12	12	12	12
Terän pysähdysaika	s	< 1	< 1	< 1	< 1	< 1	< 1	< 1
Paino	kg	2,4 - 2,5	2,4 - 2,5	2,4 - 2,5	2,4 - 2,5	2,4 - 2,5	2,4 - 2,5	2,4 - 2,5

# ΜΗΧΑΝΗ ΚΛΑΔΕΜΑΤΟΣ ΘΑΜΝΩΝ GT26/ GT246/GT250/GT251/GT260/GT261/GT262

## ΣΥΓΧΑΡΗΤΗΡΙΑ!


Εχετε επιλέξει ένα εργαλείο της Black & Decker. Στόχος μας είναι να σας προσφέρουμε εργαλεία ποιότητας σε προσιτές τιμές. Ευελπιστούμε ότι θα απολαύσετε τη χρήση αυτού του εργαλείου για πολλά χρόνια.

## ΔΗΛΩΣΗ ΣΥΜΜΟΡΦΩΣΗΣ ΕΚ

**CE** GT26/GT246/GT250/GT251/GT260/  
GT261/GT262  
Black & Decker δηλώνει ότι αυτά τα ηλεκτρικά εργαλεία σχεδιάστηκαν σύμφωνα με:  
98/37/ΕΟΚ, 89/336/ΕΟΚ, 73/23/ΕΟΚ, EN 50144, EN 55014, EN 61000 2000/14/ΕΟΚ, Κλαδευτήρη ≤ 380 W, Annex V

Ανώτατο όριο ηχητικής πίεσης, μέτρηση κατά 2000/14/EC:

$L_{pA}$	(ηχητική πίεση)	dB(A)	82
$L_{WA}$	(ακουστική δύναμη)	dB(A)	95
$L_{WA}$	(εγγυημένο προϊόν)	dB(A)	99

 Λάβετε τα ενδεδειγμένα μέτρα προστασίας σε περίπτωση που η ακουστική πίεση υπερβαίνει τα 85 dB(A).

Ο σταθμισμένος τετραγωνικός μέσος όρος επιτάχυνσης κατά EN 50144:

< 2,5 m/s<sup>2</sup>



Kevin Hewitt  
Διευθυντής Εξυπηρέτησης Πελατών  
Spennymoor, County Durham DL16 6JG,  
United Kingdom  
1-11-2003

## ΕΝΔΕΔΕΙΓΜΕΝΗ ΧΡΗΣΗ

Η μηχανή κλαδέματος θάμνων GT26/GT246/GT250/GT251/GT260/GT261/GT262 της Black & Decker έχει σχεδιαστεί για το κλάδεμα θάμνων, φρύγανων και βάτων. Αυτό το εργαλείο προορίζεται μόνο για ερασιτεχνική χρήση.

## ΟΔΗΓΙΕΣ ΑΣΦΑΛΕΙΑΣ

### Σύμβολα ασφαλείας

Στις παρούσες οδηγίες χρησιμοποιούνται τα ακόλουθα σύμβολα:



Συμβολίζει κίνδυνο τραυματισμού ή θανάτου ή βλάβης του εργαλείου σε περίπτωση που δεν τηρηθούν οι οδηγίες χρήσεως.



Συμβολίζει ηλεκτρική τάση.



Πριν χρησιμοποιήσετε το εργαλείο διαβάστε το παρόν εγχειρίδιο προσεκτικά.

### Γνωρίζετε το εργαλείο



- ♦ **Προσοχή!** Κατά τη χρήση εργαλείων που τροφοδοτούνται με ηλεκτρικό ρεύμα, θα πρέπει πάντα να λαμβάνονται οι βασικές προφυλάξεις ασφαλείας, για τον περιορισμό του κινδύνου πυρκαγιάς, ηλεκτροπληξίας, σωματικών βλαβών και υλικών ζημιών.
- ♦ Πριν χρησιμοποιήσετε το εργαλείο διαβάστε προσεκτικά τις παρακάτω οδηγίες.
- ♦ Πριν χρησιμοποιήσετε το εργαλείο αυτό, βεβαιωθείτε ότι γνωρίζετε πώς να σβήσετε το εργαλείο σε περίπτωση έκτακτης ανάγκης.
- ♦ Φυλάξτε τις οδηγίες καλά.

## Γενικά

**1. Λάβετε υπ' όψη τις επιδράσεις του περιβάλλοντος**

Μην εκθέτετε ηλεκτρικά εργαλεία σε υγρασία. Φροντίστε η περιοχή εργασίας να είναι καλά φωτισμένη. Μη χρησιμοποιείτε το εργαλείο αν υπάρχει κίνδυνος να προκληθεί πυρκαγιά ή έκρηξη, π.χ. κοντά σε εύφλεκτα υγρά και αέρια. Φροντίστε στο χώρο εργασίας να μην υπάρχουν υπολείμματα και εμπόδια.

**2. Κρατάτε τα παιδιά σε απόσταση**

Μην επιτρέπετε σε παιδιά, επισκέπτες ή ζώα να πλησιάζουν στο χώρο εργασίας ή να αγγίζουν το εργαλείο ή το καλώδιο τροφοδοσίας.

**3. Φοράτε τα κατάλληλα ρούχα εργασίας**

Μη φοράτε φαρδιά ρούχα ή κοσμήματα. Υπάρχει πιθανότητα να πιαστούν σε κινούμενα μέρη μηχανών. Για υπαίθριες εργασίες συνιστώνται λαστιχένια γάντια και υποδήματα που δε γλιστρούν. Εάν έχετε μακριά μαλλιά φοράτε προστατευτικό διχτάκι.

**4. Ατομική προστασία**

Φορέστε προστατευτικά γυαλιά. Φορέστε μάσκα προσώπου ή προστασίας από τη σκόνη, στις περιπτώσεις που η εργασία ενδέχεται να προκαλέσει την παραγωγή σκόνης ή αιωρούμενων σωματιδίων. Φοράτε ωτασπίδες σε περιπτώσεις που η στάθμη του θορύβου σας προκαλεί δυσφορία.

**5. Λάβετε τις κατάλληλες προφυλάξεις για το ενδεχόμενο ηλεκτροπληξίας**

Αποφύγετε τη σωματική επαφή με γειωμένες ή συνδεδεμένες με το έδαφος επιφάνειες (π.χ. μεταλλικά κιγκλιδώματα, λάμπες κ.λπ.). Η ηλεκτρική ασφάλεια μπορεί να βελτιωθεί αν χρησιμοποιηθεί συσκευή παραμένοντος ρεύματος (RCD) υψηλής ευαισθησίας (30 mA/30 mS).

**6. Μη σκύβετε πάρα πολύ**

Φροντίστε πάντοτε να έχετε την κατάλληλη στάση και να διατηρείτε την ισορροπία σας.

**7. Να είστε πάντα προσεκτικοί**

Παρακολουθείτε την εργασία σας. Ενεργείτε λογικά. Μη χρησιμοποιείτε το εργαλείο όταν είστε κουρασμένοι.

**8. Στηρίξτε με ασφαλή τρόπο το αντικείμενο στο οποίο εργάζεστε**

Όπου χρειάζεται, χρησιμοποιήστε σφιγκτήρες ή μέγγενη για συγκράτηση του τεμαχίου εργασίας. Η μέθοδος αυτή είναι ασφαλέστερη και ελευθερώνει και τα δύο σας χέρια για το χειρισμό του εργαλείου.

**9. Απομακρύνετε από το μηχανήμα τα κλειδιά που χρησιμοποιείτε για τη ρύθμισή του**

Πριν βάλετε σε λειτουργία το εργαλείο, βεβαιωθείτε πάντα ότι έχετε βγάλει από αυτό τα κλειδιά για τη ρύθμισή του.

**10. Καλώδια επιμήκυνσης**

Πριν τη χρήση, επιθεωρήστε το καλώδιο επιμήκυνσης και αντικαταστήστε το, αν έχει φθαρεί. Χρησιμοποιείτε μόνο καλώδια επιμήκυνσης που προορίζονται για χρήση σε εξωτερικό χώρο.

**11. Χρησιμοποιείτε το σωστό εργαλείο**

Η ενδεδειγμένη χρησιμοποίηση αναφέρεται σε αυτές τις οδηγίες χρήσεως. Μη χρησιμοποιείτε εργαλεία χαμηλής ισχύος ή προσθήκης για βαριές εργασίες. Το εργαλείο σας θα λειτουργήσει επιτυχέστερα και ασφαλέστερα εάν χρησιμοποιηθεί σύμφωνα με της προδιαγραφές του. Μη ζορίζετε το εργαλείο.

**Προσοχή!** Τόσο η χρήση εξαρτημάτων ή προσθηκών όσο και η πραγματοποίηση εργασιών που δεν συνιστώνται στις οδηγίες αυτές εγκυμονεί κίνδυνο τραυματισμού.

**12. Ελέγχετε εάν το εργαλείο σας έχει θλάδες**

Πριν από τη χρήση, ελέγξτε προσεκτικά το εργαλείο και το καλώδιο τροφοδοσίας για τυχόν ζημιές.

Ελέγξτε για τυχόν κακή ευθυγράμμιση και εμπλοκή των κινούμενων μερών, για μέρη που έχουν σπάσει, για τυχόν ζημιές στους προφυλακτήρες και τους διακόπτες, και γενικά κάθε είδους συνθήκες οι οποίες ενδέχεται να επηρεάσουν τη λειτουργία του εργαλείου.

Βεβαιωθείτε ότι το εργαλείο λειτουργεί κανονικά και χρησιμοποιείται για το σκοπό για τον οποίο προορίζεται. Μη χρησιμοποιείτε το εργαλείο αν κάποιο εξάρτημά του παρουσιάζει ελάττωμα. Μη χρησιμοποιείτε το εργαλείο, εάν ο διακόπτης δεν μπορεί να το θέσει ενός ή εκτός λειτουργίας.

Φροντίστε για την επισκευή ή αντικατάσταση τυχόν ελαττωματικών εξαρτημάτων από εξουσιοδοτημένο κέντρο επισκευών.

Ποτέ μην επιχειρήσετε να επισκευάσετε οι ίδιοι το εργαλείο. Εάν το καλώδιο τροφοδοσίας είναι κατεστραμμένο, πρέπει να αντικατασταθεί από εξουσιοδοτημένο κέντρο επισκευής, ώστε να μην προκύψει κίνδυνος.

### 13. Βγάλτε το εργαλείο από την πρίζα

Βγάλτε το εργαλείο από την πρίζα όταν το εργαλείο δεν χρησιμοποιείται, προτού αλλάξετε οποιοδήποτε ανταλλακτικό, παρελκόμενο ή εξάρτημα του εργαλείου, και πριν από τη συντήρησή του.

### 14. Αποφύγετε την τυχαία εκκίνηση του εργαλείου

Μη μεταφέρετε το εργαλείο έχοντας το δάκτυλό σας πάνω στο διακόπτη εκκίνησης. Όταν βάζετε την πρίζα, βεβαιωθείτε ότι ο διακόπτης του εργαλείου είναι κλειστός.

### 15. Μην κακομεταχειρίζεστε το καλώδιο

Ποτέ μη μεταφέρετε το εργαλείο κρατώντας το από το καλώδιο και μην το τραβάτε από το καλώδιο για να το βγάλετε από την πρίζα. Φροντίστε το καλώδιο να παραμένει μακριά από τη θερμότητα, τα λάδια και από αιχμηρές ακμές.

### 16. Φυλάγετε τα εργαλεία σας σε ασφαλές μέρος

Ηλεκτρικά εργαλεία που δεν χρησιμοποιούνται πρέπει να φυλάσσονται σε στεγνούς, κλειστούς χώρους ή σε μεγάλο ύψος, μακριά από παιδιά.

### 17. Συντηρήστε προσεκτικά τα εργαλεία

Φροντίστε τα εργαλεία σας να είναι κοφτερά και καθαρά, ώστε να προσφέρουν υψηλή απόδοση και ασφάλεια κατά τη χρήση τους. Ακολουθήστε τις σχετικές οδηγίες σε ότι αφορά τη συντήρηση και την αλλαγή των εξαρτημάτων. Φροντίστε οι λαβές και οι διακόπτες να είναι στεγνοί, καθαροί και χωρίς λάδια ή γράσα.

### 18. Επισκευές

Το εργαλείο αυτό συμμορφώνεται με τις σχετικές προϋποθέσεις ασφαλείας. Οι επισκευές θα πρέπει να γίνονται μόνο από ειδικευμένους τεχνικούς και με τη χρήση αποκλειστικά γνήσιων ανταλλακτικών, διαφορετικά υπάρχει το ενδεχόμενο σοβαρού κινδύνου για το χρήστη.

### Συμπληρωματικές οδηγίες ασφαλείας για τις μηχανές κλαδέματος θάμνων



Κατά τη χρήση αυτού του εργαλείου, να φοράτε προστατευτικά γυαλιά.



Κατά τη χρήση αυτού του εργαλείου, να φοράτε γάντια.



Κατά τη χρήση αυτού του εργαλείου, να φοράτε ωτοασπίδες.



Αποσυνδέστε αμέσως το καλώδιο από την ηλεκτρική παροχή αν έχει υποστεί ζημία ή έχει κοπεί.



Μην αφήνετε το εργαλείο στη βροχή ή σε έντονη υγρασία.

- ◆ Κρατείστε το καλώδιο μακριά από τις λεπίδες όταν χρησιμοποιείτε το εργαλείο.
- ◆ Εάν δεν έχετε ξαναχρησιμοποιήσει μηχανή κλαδέματος θάμνων, προτιμότερο είναι να ζητήσετε πρακτικές οδηγίες από έναν έμπειρο χρήστη αφού μελετήσετε αυτό το εγχειρίδιο.
- ◆ Ποτέ μην αγγίζετε τις λεπίδες όταν το εργαλείο είναι σε λειτουργία.
- ◆ Ποτέ μην επιχειρήσετε να ακινητοποιήσετε τις λεπίδες δια της βίας.
- ◆ Μην αποθέτετε το εργαλείο εάν δεν έχουν ακινητοποιηθεί τελείως οι λεπίδες.
- ◆ Ελέγχετε τακτικά τις λεπίδες για τυχόν ζημιές και φθορά. Μη χρησιμοποιείτε το εργαλείο αν οι λεπίδες εμφανίζουν ζημιές ή φθορά.
- ◆ Προσέχετε να αποφεύγετε τα σκληρά αντικείμενα (π.χ. μεταλλικά σύρματα, κάγκελα) όταν κλαδεύετε. Εάν προσκρούσετε σε τέτοιο αντικείμενο κατά λάθος, θέστε αμέσως εκτός λειτουργίας το εργαλείο και ελέγξτε για τυχόν ζημιές.
- ◆ Αν το εργαλείο αρχίσει να τρέμει αφύσικα, θέστε το αμέσως εκτός λειτουργίας και ελέγξτε για τυχόν ζημιές.
- ◆ Αν το εργαλείο μπλοκάρει, θέστε το αμέσως εκτός λειτουργίας. Βγάλτε το εργαλείο από την πρίζα πριν επιχειρήσετε να απομακρύνεται τυχόν εμπόδια.



- ♦ Μετά τη χρήση, τοποθετήστε τις λεπίδες στη θήκη που παρέχεται. Αποθηκεύστε το εργαλείο, επιβεβαιώνοντας ότι δεν είναι εκτεθειμένη η λεπίδα.
- ♦ Όταν χρησιμοποιείτε το εργαλείο, να βεβαιώνετε πάντα ότι έχουν τοποθετηθεί όλοι οι προφυλακτήρες. Ποτέ μην επιχειρείτε να χρησιμοποιήσετε ένα ελλειπές εργαλείο το οποίο έχει υποστεί μη εγκεκριμένες τροποποιήσεις.
- ♦ Ποτέ μην αφήνετε παιδιά να χρησιμοποιούν το εργαλείο.

### ΗΛΕΚΤΡΙΚΗ ΑΣΦΑΛΕΙΑ

Το ηλεκτρικό μοτέρ είναι σχεδιασμένο να λειτουργεί σε μία και μόνο τάση. Ελέγχετε πάντοτε αν η τάση τροφοδοσίας αντιστοιχεί σε αυτήν που αναγράφεται στην πλακέτα του εργαλείου.



Το εργαλείο φέρει διπλή μόνωση. Κατά συνέπεια δε χρειάζεται καλώδιο γείωσης.

### Χρήση καλωδίου επέκτασης

Χρησιμοποιήστε εγκεκριμένο καλώδιο επέκτασης κατάλληλο για την απορροφούμενη ηλεκτρική ισχύ αυτού του εργαλείου (δείτε τα τεχνικά στοιχεία). Σε εξωτερικούς χώρους, χρησιμοποιείτε καλώδια που είναι κατάλληλα για το σκοπό αυτό και φέρουν σχετική σήμανση. Η ελάχιστη διατομή του αγωγού είναι 1,5 mm<sup>2</sup>. Όταν χρησιμοποιείτε καρούλι καλωδίου, πάντα ξετυλίγετε τελείως το καλώδιο.

### ΠΕΡΙΕΧΟΜΕΝΑ ΣΥΣΚΕΥΑΣΙΑΣ

Η συσκευασία περιέχει:

- 1 Μηχανή κλαδέματος θάμνων
  - 1 Θήκη λεπίδας
  - 1 Προφυλακτήρας
  - 2 Βίδες
  - 1 Οδηγίες χρήσης
- ♦ Αφαιρέστε προσεκτικά από τη συσκευασία όλα τα κομμάτια.
  - ♦ Έχετε υπόψη σας ότι η συσκευασία περιλαμβάνει πρόσθετα εξαρτήματα, ανάλογα με το γράμμα που ακολουθεί τον κωδικό καταλόγου του εργαλείου σας.

### ΓΕΝΙΚΗ ΠΕΡΙΓΡΑΦΗ (εικ. Α)

1. Διακόπτης πρόσθιας λαβής
2. Διακόπτης σκανδάλης
3. Πρόσθια λαβή
4. Προφυλακτήρας
5. Λεπίδα
6. Θήκη λεπίδας

### ΣΥΝΑΡΜΟΛΟΓΗΣΗ



Πριν από τη συναρμολόγηση, βεβαιωθείτε ότι το εργαλείο είναι σβηστό και ότι το φως του δεν είναι στην πρίζα.

Τοποθετήστε τις λεπίδες στη θήκη τους.

Για τη συναρμολόγηση, θα χρειαστείτε κατσαβίδι Posidrive No. 2.

### Τοποθέτηση του προφυλακτήρα (εικ. Β)

- ♦ Τοποθετήστε τον προφυλακτήρα (4) στο εργαλείο, όπως φαίνεται στην εικόνα.
- ♦ Ασφαλίστε τον προφυλακτήρα με τις δύο παρεχόμενες βίδες.



Ποτέ μη χρησιμοποιείτε το εργαλείο χωρίς τον προφυλακτήρα.

### Σύνδεση του εργαλείου στο ρεύμα (εικ. C)

Εκτός και εάν το εργαλείο παρέχεται με ηλεκτρικό καλώδιο, θα πρέπει να συνδέσετε μια προέκταση στην ηλεκτρική παροχή.

- ♦ Συνδέστε τη θηλυκή πρίζα της κατάλληλης προέκτασης στην ηλεκτρική παροχή.
- ♦ Τυλίξτε την προέκταση μέσα από το άγκιστρο συγκράτησης του καλωδίου (7) όπως φαίνεται στην εικόνα για να μην υπάρξει κίνδυνος να αποσυνδεθεί κατά τη χρήση.
- ♦ Συνδέστε το φως σε μια ηλεκτρική παροχή.



Η προέκταση πρέπει να είναι κατάλληλη για χρήση σε εξωτερικό χώρο.

### ΧΡΗΣΗ



- ♦ Αφήστε το εργαλείο να λειτουργήσει στο δικό του ρυθμό και μην το υπερφορτώνετε.

- ◆ Περάστε προσεκτικά το καλώδιο ώστε να μην το κόψετε κατά λάθος. Ένας καλός τρόπος να ελέγχετε το καλώδιο είναι να το περάσετε επάνω από τον ώμο σας.

## Θέση εντός και εκτός λειτουργίας (εικ. D)

Για την ασφάλειά σας, το εργαλείο είναι εφοδιασμένο με διπλό σύστημα εκκίνησης. Το σύστημα προλαμβάνει την ακούσια εκκίνηση του εργαλείου και επιτρέπει τη λειτουργία μόνο όταν κρατάτε το εργαλείο και με τα δύο χέρια.

## Εκκίνηση

- ◆ Πιέστε και το μπροστινό διακόπτη λαβής (1) και το διακόπτη σκανδάλης (2).

## Σθήσιμο

- ◆ Απελευθερώστε το διακόπτη της πρόσθιας λαβής (1) και το διακόπτη της σκανδάλης (2).



Ποτέ μην επιχειρήσετε να ασφαλίσετε ένα διακόπτη όταν βρίσκεται σε θέση λειτουργίας (on).

## Συμβουλές για άριστη χρήση

- ◆ Γείρετε ελάχιστα το εργαλείο (έως 15° σε σχέση με τη γραμμή κοπής) ώστε τα άκρα της λεπίδας να δείχνουν ελαφρά προς το μέρος του θάμνου (εικ. E). Ετσι οι λεπίδες θα κόβουν πιο αποτελεσματικά.
- ◆ Ξεκινήστε κλαδεύοντας την κορυφή του θάμνου. Κρατάτε το εργαλείο στην επιθυμητή γωνία και κινείστε το σταθερά κατά μήκος της γραμμής κοπής. Η λεπίδα διπλής όψης σας επιτρέπει να κόβετε προς οποιαδήποτε κατεύθυνση.
- ◆ Για να κόψετε σε απόλυτη ευθεία, απλώστε ένα κομμάτι σπάγκου κατά μήκος του θάμνου στο επιθυμητό ύψος. Χρησιμοποιείστε το σπάγκο ως οδηγό, κόβοντας λίγο πιο πάνω από αυτόν.
- ◆ Για να επιτύχετε επίπεδες πλευρές, κόβετε προς τα πάνω προς την κατεύθυνση της αύξησης του φυτού. Οι νεότεροι μίσχοι μετακινούνται προς τα έξω όταν η λεπίδα κόβει προς τα κάτω, προκαλώντας έτσι κενά σημεία στο θάμνο.

- ◆ Προσέχετε να αποφύγετε τυχόν ξένα αντικείμενα. Αποφεύγετε ειδικά τα σκληρά αντικείμενα όπως μεταλλικά σύρματα και κάγκελα, καθώς μπορεί να προκαλέσουν ζημιές στις λεπίδες.
- ◆ Λαδώνετε τακτικά τις λεπίδες.

## Πότε να ψαλιδίσετε

- ◆ 'ς γενικός κανόνας, οι φράκτες και οι θάμνοι με εποχιακά φύλλα (νέα κάθε χρόνο) μπορούν να ψαλιδιστούν τον Ιούνιο και τον Οκτώβριο.
- ◆ Τα αειθαλή δέντρα μπορούν να ψαλιδιστούν τον Απρίλιο και τον Αύγουστο.
- ◆ Κωνοφόρα δέντρα και άλλοι θάμνοι που αναπτύσσονται γρήγορα μπορούν να ψαλιδίζονται περίπου κάθε έξι μήνες από τον Μάιο και μετέπειτα.

## ΣΥΝΤΗΡΗΣΗ

Αυτό το εργαλείο της Black & Decker έχει σχεδιαστεί έτσι ώστε να λειτουργεί για μεγάλο χρονικό διάστημα με την ελάχιστη δυνατή φροντίδα. Η αδιάλειπτη και κανονική λειτουργία του εξαρτάται από τη φροντίδα του εργαλείου και τον τακτικό καθαρισμό του.



Πριν από την εκτέλεση εργασιών συντήρησης στο εργαλείο, θα πρέπει να το σβήσετε και να το βγάλετε από την πρίζα.

- ◆ Μετά τη χρήση, καθαρίζετε προσεκτικά τις λεπίδες. Μετά τον καθαρισμό, απλώστε μια στρώση ελαφίου λαδιού μηχανής για να εμποδίσετε το σκουριασμα των λεπίδων.
- ◆ Καθαρίζετε τακτικά τα ανοίγματα εξαερισμού στο εργαλείο σας με μια μαλακή βούρτσα ή στεγνό πανί.
- ◆ Καθαρίζετε τακτικά το περιβλήμα του κινητήρα με υγρό πανί. Μη χρησιμοποιείτε σπλιβωτικά ή υγρά καθαρισμού με βάση διαλυτικά.

**Τεχνικά χαρακτηριστικά**

		GT26	GT246	GT250	GT251	GT260	GT261	GT262
Τάση	V <sub>AC</sub>	230	230	230	230	230	230	230
Ισχύς εισόδου	W	350	350	380	380	380	380	380
Διαδρομές λεπίδας (χωρίς φορτίο)	min <sup>-1</sup>	3.800	3.800	3.800	3.800	3.800	3.800	3.800
Μήκος λεπίδας	cm	41	41	41	41	51	51	51
Διάκενο λεπίδας	mm	12	12	12	12	12	12	12
Χρόνος πέδησης λεπίδας	s	< 1	< 1	< 1	< 1	< 1	< 1	< 1
Βάρος	kg	2,4 - 2,5	2,4 - 2,5	2,4 - 2,5	2,4 - 2,5	2,4 - 2,5	2,4 - 2,5	2,4 - 2,5

**ΠΡΟΣΤΑΣΙΑ ΤΟΥ ΠΕΡΙΒΑΛΛΟΝΤΟΣ**

Η Black & Decker δίνει τη δυνατότητα ανακύκλωσης των προϊόντων της που έχουν συμπληρώσει τη διάρκεια ζωής τους. Η υπηρεσία αυτή είναι δωρεάν. Αν θέλετε να χρησιμοποιήσετε την εν λόγω υπηρεσία, επιστρέψτε το προϊόν σας σε οποιοδήποτε εξουσιοδοτημένο κέντρο επισκευών, όπου θα το παραλάβουν εκ μέρους σας.

Ενημερωθείτε για το πλησιέστερο κέντρο επισκευών της περιοχής σας, επικοινωνώντας με τα γραφεία της Black & Decker στη διεύθυνση που αναγράφεται στο εγχειρίδιο. Επίσης, για να πληροφορηθείτε τα εξουσιοδοτημένα κέντρα επισκευών της Black & Decker και τις λεπτομέρειες και τους αρμόδιους των υπηρεσιών που παρέχονται μετά την πώληση, μπορείτε να ανατρέξετε στο Διαδίκτυο στη διεύθυνση:

**www.2helpU.com.**

**ΕΓΓΥΗΣΗ**

Η Black & Decker είναι σίγουρη για την ποιότητα των προϊόντων της και παρέχει σημαντική εγγύηση. Η παρούσα γραπτή εγγύηση αποτελεί πρόσθετο δικαίωμά σας και δεν ζημιώνει τα συνταγματικά σας δικαιώματα. Η εγγύηση ισχύει εντός της επικράτειας των Κρατών Μελών της Ευρωπαϊκής Ένωσης και της Ευρωπαϊκής Ζώνης Ελευθέρων Συναλλαγών.

Σε περίπτωση που κάποιο προϊόν της Black & Decker παρουσιάσει βλάβη εξαιτίας ελαττωματικών υλικών, ποιότητας εργασίας ή έλλειψης συμφωνίας με τις προδιαγραφές εντός 24 μηνών από την ημερομηνία αγοράς, η Black & Decker εγγυάται την αντικατάσταση των ελαττωματικών τμημάτων, την επισκευή προϊόντων που έχουν υποστεί εύλογη φθορά λόγω χρήσης ή την αντικατάσταση των προϊόντων προκειμένου να εξασφαλίσει την ελάχιστη ενόχληση στους πελάτες της, εκτός αν:

- ◆ Το προϊόν έχει χρησιμοποιηθεί σε εργασιακό, επαγγελματικό περιβάλλον ή αν έχει ενοικιαστεί
- ◆ Έχει γίνει εσφαλμένη χρήση του προϊόντος ή αν έχει παραμεληθεί
- ◆ Το προϊόν έχει υποστεί βλάβη από άλλα αντικείμενα, από ουσίες ή λόγω ατυχήματος
- ◆ Έχει γίνει προσπάθεια επισκευής από μη εξουσιοδοτημένα κέντρα επισκευών ή από προσωπικό που δεν ανήκει στο προσωπικό της Black & Decker

Για να ισχύσει η εγγύηση, πρέπει να υποβάλετε απόδειξη αγοράς στον πωλητή ή το εξουσιοδοτημένο κέντρο επισκευών. Ενημερωθείτε για το πλησιέστερο κέντρο επισκευών της περιοχής σας, επικοινωνώντας με τα γραφεία της Black & Decker στη διεύθυνση που αναγράφεται στο εγχειρίδιο. Επίσης, για να πληροφορηθείτε τα εξουσιοδοτημένα κέντρα επισκευών της Black & Decker και τις λεπτομέρειες και τους αρμόδιους των υπηρεσιών που παρέχονται μετά την πώληση, μπορείτε να ανατρέξετε στο Διαδίκτυο στη διεύθυνση:

**www.2helpU.com.**

## ΑΛΛΑ ΕΡΓΑΛΕΙΑ ΚΗΠΟΥ

Η Black & Decker διαθέτει μία πλήρη σειρά εργαλείων κήπου, τα οποία διευκολύνουν την εργασία σας στον κήπο. Για περισσότερες πληροφορίες σχετικά με τα προϊόντα που αναφέρονται παρακάτω, επικοινωνήστε με το Κέντρο Εξυπηρέτησης και Πληροφόρησης (στη διεύθυνση που αναφέρεται προς το τέλος αυτών των οδηγιών χρήσης) ή με το πλησιέστερο εξουσιοδοτημένο κατάστημα της Black & Decker.

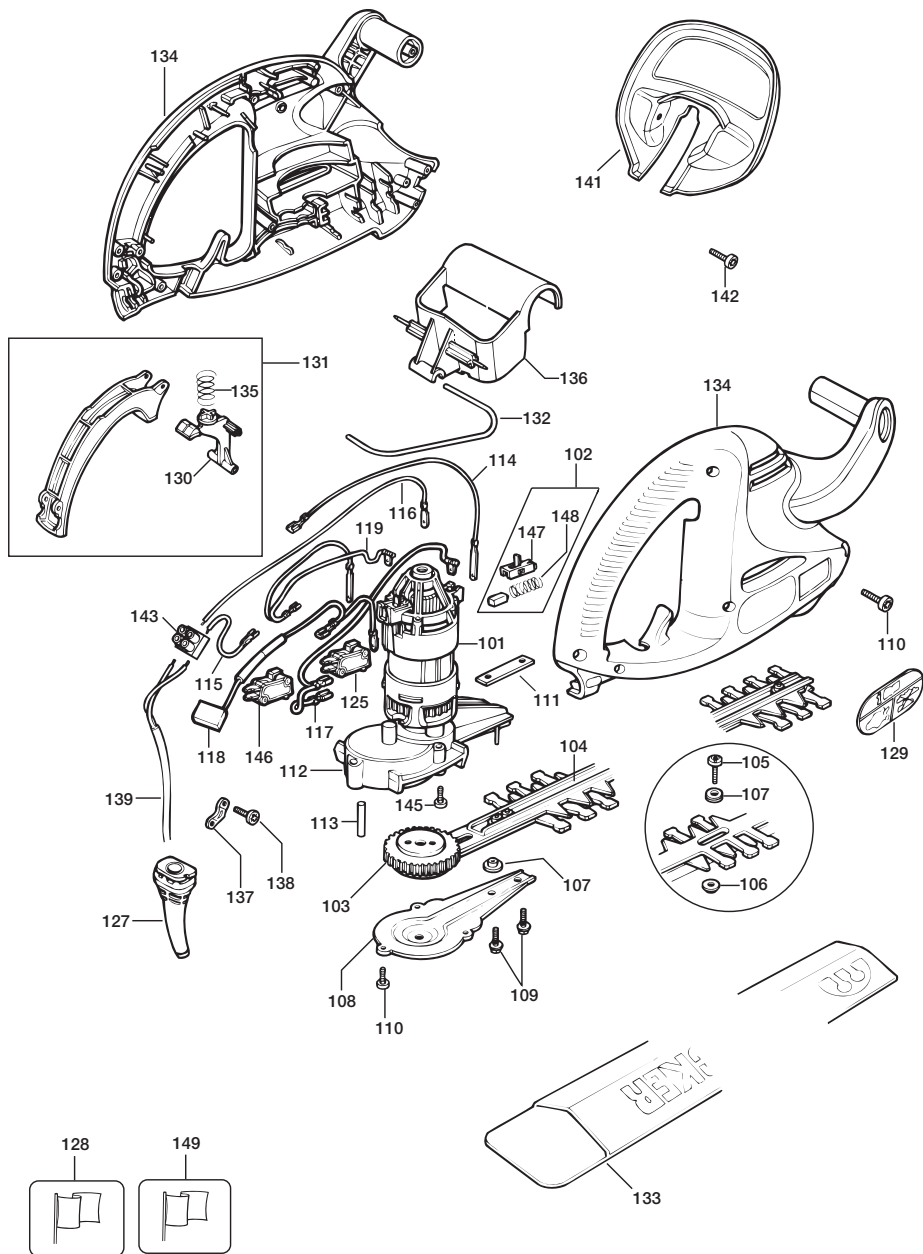
Μηχανές φινιρίσματος χόρτου  
Αλυσοπρίονα  
Φορτιζόμενα ψαλίδια  
Χλοοκοπτικές μηχανές  
Απορροφητήρας/Φυσητήρας φύλλων  
Σπαστήρας φύλλων/κλαδιών

Δεν είναι όλα τα προϊόντα διαθέσιμα σε όλες τις χώρες.

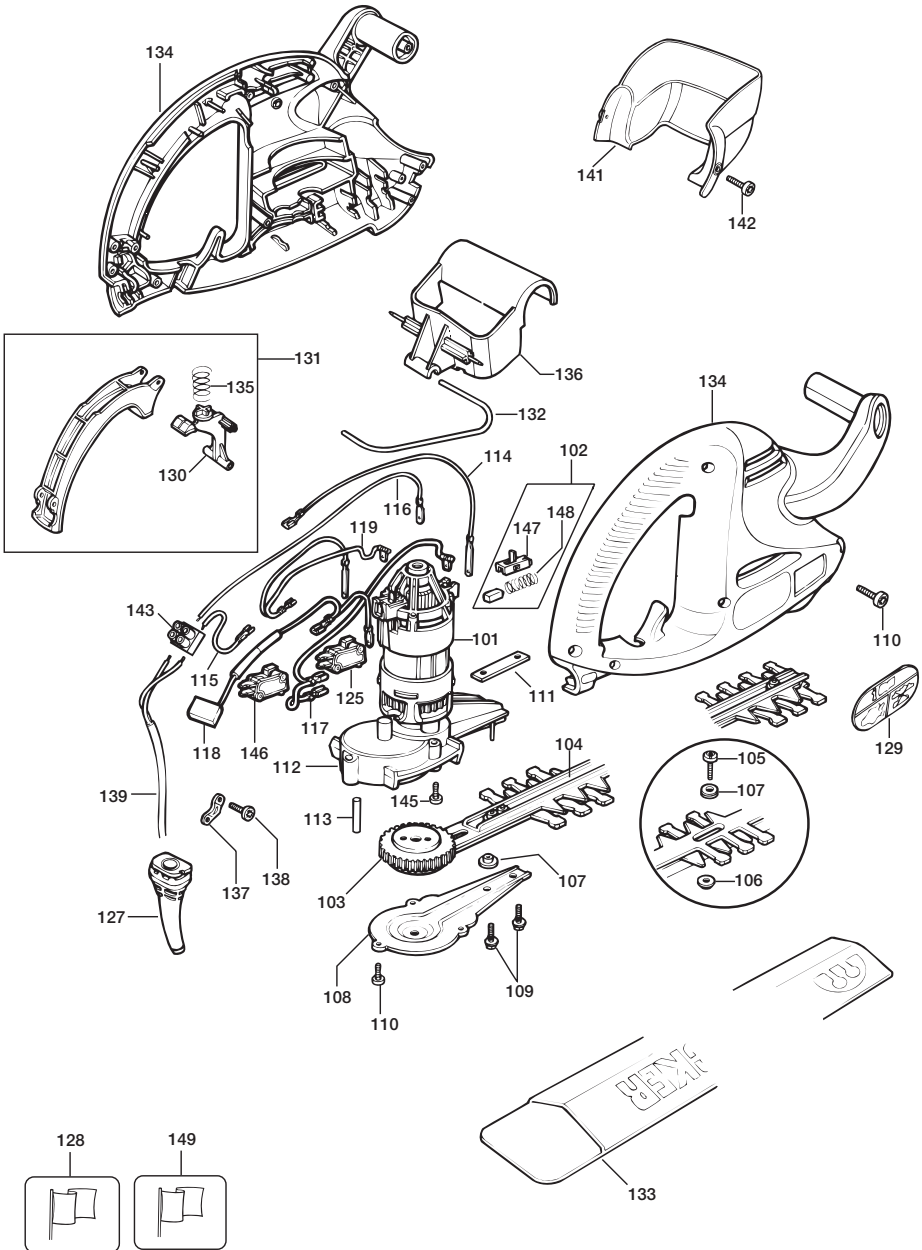












<b>Australia</b>	Black & Decker (Australia) Pty. Ltd. 20 Fletcher Road, Mooroolbark, Victoria, 3138	Tel. 03-8720 5100 Fax 03-9727 5940
<b>Belgique/België</b>	Black & Decker (Belgium) N.V. Campus Noord, Schaliënhoevedreef 20E 2800 Mechelen	Tel. 015 - 47 92 11 Fax 015 - 47 92 10
<b>Danmark</b>	Black & Decker Hejrevang 26B, 3450 Allerød Internet: www.blackdecker.dk	Tel. 70 20 15 10 Fax 48 14 63 30
<b>Deutschland</b>	Black & Decker GmbH Black & Decker Str. 40, D - 65510 Idstein	Tel. 06126/21 - 0 Fax 06126/21 29 80
<b>Ελλάδα</b>	Black & Decker (Ελλάς) Α.Ε. Στράβωνος 7 & Λεωφ. Βουλιαγμένης 159 166 74 Γλυφάδα - Αθήνα	Τηλ. 210 8981616 Τηλ. 210 8982630 Φαξ Service 210 8983285
<b>España</b>	Black & Decker Ibérica, S.C.A. Parque de Negocios "Mas Blau" Edificio Muntadas, c/Bergadá, 1, Of. A6 08820 El Prat de Llobregat (Barcelona)	Tel. 934 797 400 Fax 934 797 419
<b>France</b>	Black & Decker (France) S.A.S. B.P. 21, 69571 Dardilly Cédex	Tel. 04 72 20 39 20 Fax 04 72 20 39 00
<b>Helvetia</b>	ROFO AG Gewerbezone Seeblick 3213 Kleinbödingen	Tel. 026-6749391 Fax 026-6749394
<b>Italia</b>	Black & Decker Italia SpA Viale Elvezia 2 20052 Monza (MI)	Tel. 039-23871 Fax 039-2387592/2387594 Numero verde 800-213935
<b>Nederland</b>	Black & Decker Benelux Joulehof 12, 4622 RG Bergen op Zoom	Tel. 0164 - 283000 Fax 0164 - 283100
<b>New Zealand</b>	Black & Decker 81 Hugo Johnston Drive Penrose, Auckland, New Zealand	Tel. 09 579 7600 Fax 09 579 8200
<b>Norge</b>	Black & Decker (Norge) A/S Postboks 248, Leirdal, 1011 Oslo Internet: www.blackdecker.no	Tlf. 22 90 99 00 Fax 22 90 99 01
<b>Österreich</b>	Black & Decker Vertriebsges.m.b.H Erlaaerstraße 165, 1231 Wien	Tel. 01 66116-0 Fax 01 66116-14
<b>Portugal</b>	Black & Decker Rua Egas Moniz 173 S. João do Estoril 2766-651 Estoril	Tel. 214667500 Fax 214667575
<b>Suomi</b>	Black & Decker Oy Palotie 3, 01610 Vantaa Black & Decker Oy, Brandvägen 3, 01610 Vanda	Puh: (09) 825 4540 Fax: (09) 8254 5444 Tel: (09) 825 4540 Fax: (09) 8254 5444
<b>Sverige</b>	Black & Decker AB Box 603, 421 26 Västra Frölunda, Besöksadr. Ekonomivägen 11	Tel: 031-68 60 00 Fax: 031-68 60 08
<b>Türkiye</b>	İntratek Mühendislik ve Dış Tic. A.Ş. Ortaklar Cad. No:19/2 80290 Mecidiyeköy / İstanbul	Tel. 0212 211 22 10 Faks 0212 266 33 03
<b>United Kingdom</b>	Black & Decker 210 Bath Road Slough, Berkshire SL1 3YD	Tel. 01753 511234 Fax 01753 551155 Helpline 01753 574277
<b>Middle East &amp; Africa</b>	Black & Decker (Overseas) A.G. PB 5420, Dubai, United Arab Emirates	Tel. +971 4 2826464 Fax +971 4 2826466

Dealer address  
Händleradresse  
Cachet du revendeur  
Indirizzo del rivenditore  
Adres van de dealer  
Dirección del detallista  
Morada do revendedor  
Återförsäljarens adress  
Forhandlerens adresse  
Jälleenmyyjän osoite  
Διεύθυνση αντιπροσώπου

◆ Name ◆ Name ◆ Nom ◆ Nome ◆  
◆ Naam ◆ Nombre ◆ Nome ◆ Namn  
◆ Navn ◆ Navn ◆ Nimi ◆ Ovnöma:

◆ Address ◆ Adresse ◆ Adresse ◆  
Indirizzo ◆ Adres ◆ Dirección ◆ Morada  
◆ Address ◆ Adresse ◆ Adresse ◆ Osoite  
◆ Διεύθυνση:

◆ Town ◆ Ort ◆ Ville ◆ Città ◆ Plaats  
◆ Ciudad ◆ Localidade ◆ Ort ◆ By  
◆ Paikkakunta ◆ Πόλη:

◆ Postal code ◆ Postleitzahl ◆ Code  
postal ◆ Codice postale ◆ Postcode  
◆ Código ◆ Código postal ◆ Postnr.  
◆ Postnr. ◆ Postnr. ◆ Postnummero  
◆ Κωδικός

◆ Is this tool a gift? ◆ Ist dieses Gerät  
ein Geschenk? ◆ S'agit-il d'un cadeau?  
◆ Si tratta di un regalo? ◆ Kreeg u de  
machine als cadeau? ◆ ¿Ha recibido  
usted esta herramienta como regalo?  
◆ Recebeu esta ferramenta como  
presente? ◆ Är verktyget en gåva?  
◆ Er verkøyet en gave? ◆ Er verkjøpet  
en gave? ◆ Onko kone lahja?  
◆ Το εργαλείο είναι δωρό?

Yes ◆ Ja ◆ Oui ◆ Si ◆ Ja ◆ Sí  
◆ Sim ◆ Ja ◆ Ja ◆ Ja ◆ Kyllä ◆ Naa

No ◆ Nein ◆ Non ◆ No ◆ Nee  
◆ No ◆ Não ◆ Nej ◆ Nei ◆ Nej  
◆ Ei ◆ Oxi

◆ Is this tool your first purchase? ◆ Ist  
dieses Gerät ein Erstkauf? ◆ Est-ce un  
1er achat? ◆ Questo prodotto è il suo  
primo acquisto? ◆ Is deze machine uw  
eerste aankoop? ◆ ¿Es esta  
herramienta la primera de este tipo?  
◆ Esta ferramenta é a sua primeira  
compra? ◆ Är detta ditt första B&D-  
verktyg? ◆ Er dette ditt første B&D-  
verkøy? ◆ Er dette ditt første B&D

Date of purchase  
Kaufdatum  
Date d'achat  
Data d'acquisto  
Aankoopdatum  
Fecha de compra  
Data de compra  
Inköpsdatum  
Inkjøpsdato  
Indkøbsdato  
Ostopäivä  
Ημερομηνία αγοράς

verkkö? ◆ Onko tämä ensimmäinen  
B&D-koneesi? ◆ Είναι το εργαλείο  
αυτο η πρώτη σας αγορά?

Yes ◆ Ja ◆ Oui ◆ Si ◆ Ja ◆ Sí  
◆ Sim ◆ Ja ◆ Ja ◆ Ja ◆ Kyllä ◆ Naa  
 No ◆ Nein ◆ Non ◆ No ◆ Nee  
◆ No ◆ Não ◆ Nej ◆ Nei ◆ Nej  
◆ Ei ◆ Oxi

◆ Dealer address ◆ Händleradresse  
◆ Cachet du revendeur ◆ Indirizzo del  
rivenditore ◆ Adres van de dealer  
◆ Dirección del detallista ◆ Morada do  
revendedor ◆ Återförsäljarens adress  
◆ Forhandlerens adresse ◆ Forhandler  
adresse ◆ Jälleenmyyjän osoite  
◆ Διεύθυνση αντιπροσώπου

**Cat. no.:**



- ◆ GUARANTEE CARD      ◆ GARANTIEKARTE      ◆ CARTE DE GARANTIE      ◆ TAGLIANDO DI GARANZIA  
 ◆ GARANTIEKART      ◆ TARJETA DE GARANTÍA      ◆ CARTÃO DE GARANTIA      ◆ GARANTIBEVIS  
 ◆ GARANTI KORT      ◆ GARANTI KORT      ◆ TAKUKUKORTTI      ◆ KAPTA ΕΓΓΥΗΣΗΣ



### English

Please complete this section immediately after the purchase of your tool and send it to Black & Decker in your country. If you live in Australia or New Zealand, please register by using the alternative guarantee card supplied.

### Español

Después de haber comprado su herramienta envíe usted, por favor, esta tarjeta a la central de Black & Decker en su país.

### Deutsch

Bitte schneiden Sie diesen Abschnitt ab, stecken ihn in einen frankierten Umschlag und schicken ihn an die Black & Decker Adresse Ihres Landes.

### Português

Por favor, recorte esta parte, coloque-a num envelope selado e endereçado e envie-o logo após a compra do seu produto para o endereço da Black & Decker do seu país.

### Français

Découpez cette partie et envoyez-la sous enveloppe timbrée à l'adresse de Black & Decker dans votre pays, ceci immédiatement après votre achat.

### Norsk

Var vänlig klipp ur denna del och sänd den i ett frankerat kuvert till Black & Deckers adress i Ditt land.

### Italiano

Per favore ritagliate questa parte, inseritela in una busta con francobollo e spedite la subito dopo l'acquisto del prodotto all'indirizzo della Black & Decker nella vostra nazione.

### Dansk

Venligst klip denne del ud og send frankeret til Black & Decker i dit land.

### Nederlands

Knip dit gedeelte uit en zend het direct na aankoop in een gefrankeerde, geaddresserde envelop naar het adres van Black & Decker in uw land.

### Ελληνικά

Leikkaa iriti tämä osa, laita se kuoreen ja postitaa kuori paikalliseen Black & Decker osoitteeseen. Παράκαλώ κόψετε αυτό το κομμάτι και ταχυδρομήστε το κλείδωσ, μετά την αγορά του προϊόντος σας στην διεύθυνση της Black & Decker στην Ελλάδα.