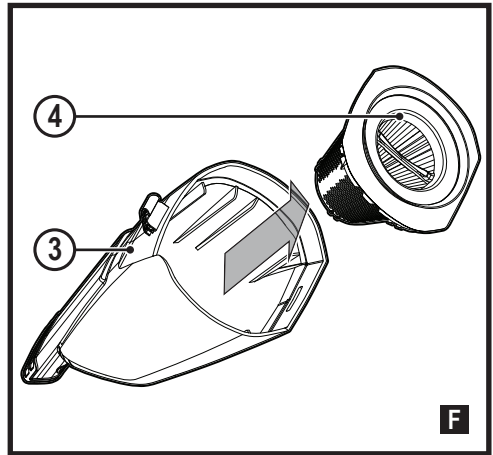
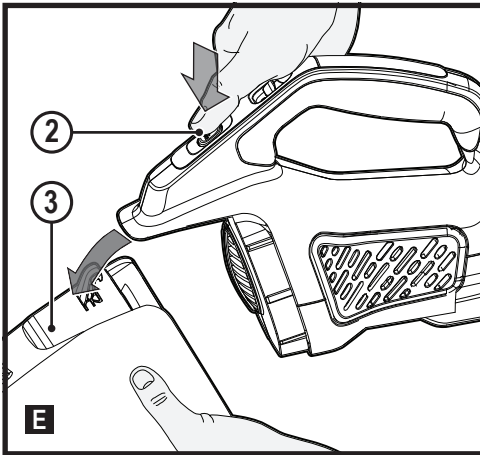
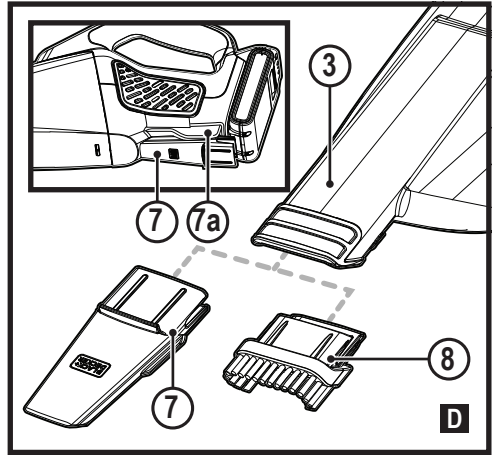
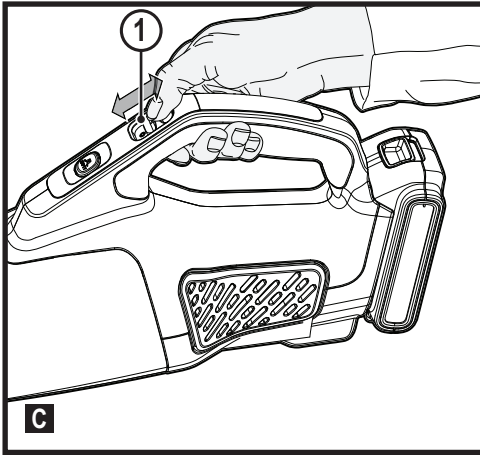
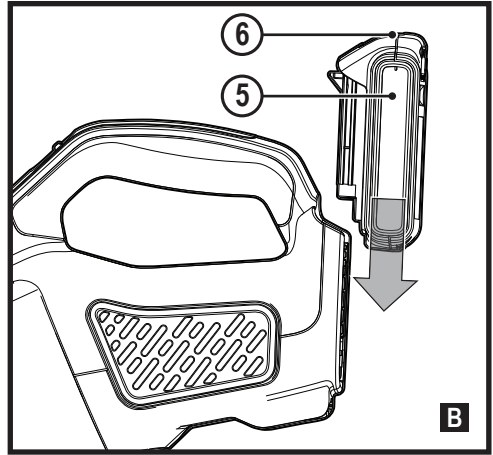
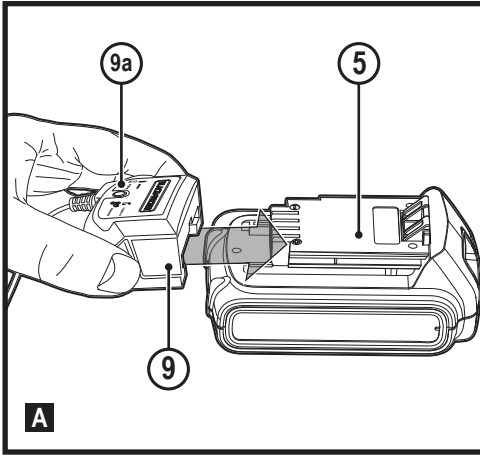
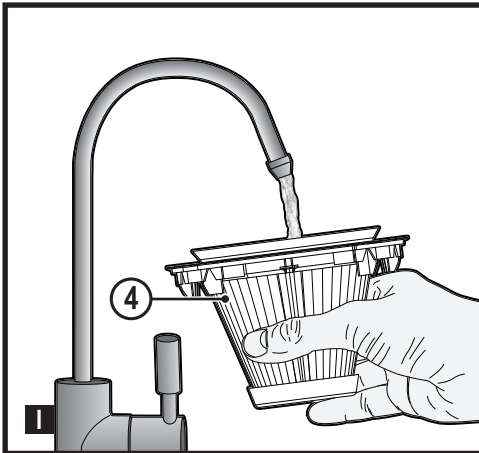
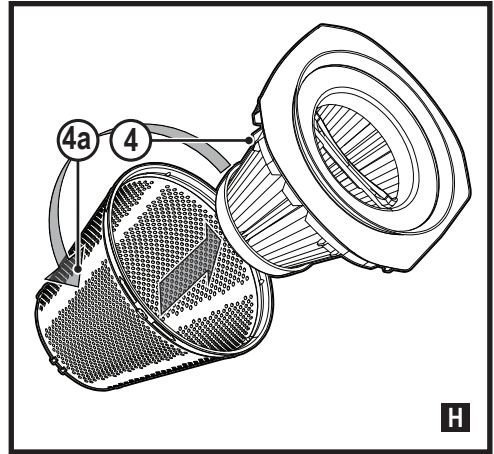
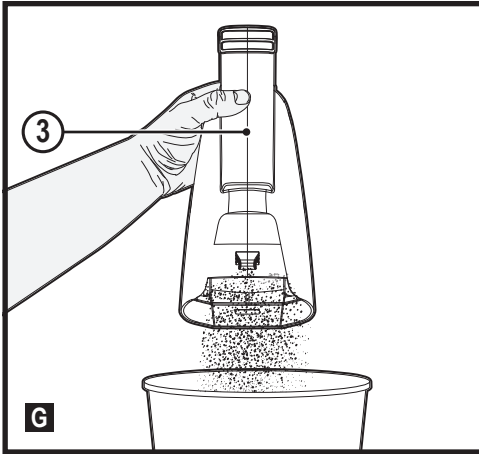


[www.blackanddecker.com.au](http://www.blackanddecker.com.au)  
[www.blackanddecker.co.nz](http://www.blackanddecker.co.nz)

**BCHV001**







**Warning!** When using battery-powered appliances, basic safety precautions, including the following, should always be followed to reduce the risk of fire, leaking batteries, personal injury and material damage.

- ◆ Read all of this manual carefully before using the appliance.
- ◆ The intended use is described in this manual. The use of any accessory or attachment or the performance of any operation with this appliance other than those recommended in this instruction manual may present a risk of personal injury.
- ◆ Retain this manual for future reference.

### Using your appliance

- ◆ Do not use the appliance to pick up liquids or any materials that could catch fire.
- ◆ Do not use the appliance near water.

### Intended use

Your BLACK+DECKER BCHV001 handheld vacuum cleaner has been designed for light dry vacuum cleaning purposes. This appliance is intended for household use only.

### Safety instructions



**Warning! Read all safety warnings and all instructions.**

Failure to follow the warnings and instructions listed below may result in electric shock, fire and/or serious injury.

- ◆ Do not immerse the appliance in water.
- ◆ Never pull the charger lead to disconnect the charger from the socket. Keep the charger lead away from heat, oil and sharp edges.
- ◆ Keep hair, loose clothing, fingers, and all parts of body away from openings and moving parts.
- ◆ Do not use without dust bag and/or filters in place.
- ◆ Children shall not play with the appliance.  
Cleaning and user maintenance shall not be made by children without supervision.

## Additional safety instructions

### After use

- ◆ Unplug the charger before cleaning the charger or charging base.
- ◆ When not in use, the appliance should be stored in a dry place.
- ◆ Children should not have access to stored appliances.
- ◆ It is very important that the filter and pre-filter are correctly positioned before use.
- ◆ To install the dust bowl (3) , place it onto the front of the unit and click firmly into position.

### Residual risks.

Additional residual risks may arise when using the tool which may not be included in the enclosed safety warnings. These risks can arise from misuse, prolonged use etc.

Even with the application of the relevant safety regulations and the implementation of safety devices, certain residual risks can not be avoided. These include:

- ◆ Injuries caused by touching any moving parts.
- ◆ Injuries caused by touching any hot parts.

## Inspection and repairs

- ◆ Before use, check the appliance for damaged or defective parts. Check for breakage of parts, damage to switches and any other conditions that may affect its operation.
- ◆ Do not use the appliance if any part is damaged or defective.
- ◆ Have any damaged or defective parts repaired or replaced by an authorized repair agent.
- ◆ Regularly check the charger lead for damage. Replace the charger if the lead is damaged or defective.
- ◆ Never attempt to remove or replace any parts other than those specified in this manual.

## Safety of others

- ◆ This appliance is not intended for use by persons (including children) with reduced physical, sensory or mental capabilities, or lack of experience and knowledge, unless they have been given supervision or instruction concerning use of the appliance by a person responsible for their safety.

- ◆ Injuries caused when changing any parts or accessories.
- ◆ Injuries caused by prolonged use of the appliance. When using any appliance for prolonged periods ensure you take regular breaks.
- ◆ Impairment of hearing.
- ◆ Health hazards caused by breathing dust developed when using your tool (example:- working with wood, especially oak, beech and MDF.)

## Batteries and chargers

### Batteries (can be sold seperately)

- ◆ Rechargeable batteries are to be removed from the appliance before being charged.
- ◆ Batteries are to be inserted with the correct polarity.
- ◆ Exhausted batteries are to be removed from the appliance and safely disposed of.
- ◆ If the appliance is to be stored unused for a long period, the batteries should be removed.
- ◆ The supply terminals are not to be short circuited.
- ◆ Never attempt to open for any reason.
- ◆ Do not expose the battery to water.
- ◆ Do not expose the battery to heat.
- ◆ Do not store in locations where the temperature may exceed 40°C.
- ◆ Charge only at ambient temperatures between 10°C and 40°C.
- ◆ Charge only using the charger provided with the appliance/tool.

Using the wrong charger could result in an electric shock or overheating of the battery.

- ◆ When disposing of batteries, follow the instructions given in the section "Protecting the environment".
- ◆ Do not damage/deform the battery pack either by puncture or impact, as this may create a risk of injury and fire.
- ◆ Do not charge damaged batteries.
- ◆ Under extreme conditions, battery leakage may occur. When you notice liquid on the batteries carefully wipe the liquid off using a cloth. Avoid skin contact.
- ◆ In case of skin or eye contact, follow the instructions below.

**Warning!** The battery fluid may cause personal injury or damage to property. In case of skin contact, immediately rinse with water. If redness, pain or irritation occurs seek medical attention. In case of eye contact, rinse immediately with clean water and seek medical attention.

### Chargers (can be sold seperately)

Your charger has been designed for a specific voltage. Always check that the mains voltage corresponds to the voltage on the rating plate and the information in the technical data table.

**Warning!** Never attempt to replace the charger unit with a regular mains plug.

- ◆ Use your BLACK+DECKER charger only to charge the battery in the appliance/tool with which it was supplied. Other batteries could burst, causing personal injury and damage.

- ◆ Never attempt to charge non-rechargeable batteries.
- ◆ If the supply cord is damaged, it must be replaced by the manufacturer or an authorised BLACK+DECKER Service Centre in order to avoid a hazard.
- ◆ Do not expose the charger to water.
- ◆ Do not open the charger.
- ◆ Do not probe the charger.
- ◆ The appliance/tool/battery must be placed in a well ventilated area when charging.

## Electrical safety

Your charger has been designed for a specific voltage. Always check that the mains voltage corresponds to the voltage on the rating plate. Never attempt to replace the charger unit with a regular mains plug.

## Symbols on the charger



Read all of this manual carefully before using the appliance.

This tool is double insulated;



therefore no earth wire is required. Always check that the power supply corresponds to the voltage on the rating plate.



The charger is intended for indoor use only.

## Labels on appliance

The following symbols appear on this appliance along with the date code.



Read all of this manual carefully before using the appliance.

## Features

This tool includes some or all of the following features.

1. On/off switch (Slide forward for On. Slide backward for Off)
2. Bowl release button
3. Dust bowl
4. Filter
5. Battery (Battery included on BCHV001C1 versions only)
6. Battery release button
7. Crevice tool
- 7a. On board storage for crevice tool
8. Brush tool
9. Charger (Charger included on BCHV001C1 versions only)

## Use

### Charging the battery (Fig. A)

The standard charger provided will charge a fully depleted battery in about 5 hours

- ◆ Plug the charger (9) into an appropriate outlet before inserting the battery pack (5).
- ◆ Insert the battery pack (5) into the charger (9) as shown in figure A.
- ◆ The green LED (9a) will flash indicating that the battery is being charged.
- ◆ The completion of charge is indicated by the green LED (9a) remaining on continuously. The pack is fully charged and may be used at this time or left on the charger.

**Note:** Recharge discharged batteries as soon as possible after use or battery life may be greatly diminished.

**Note:** The charger and battery pack can be left connected with the green LED glowing indefinitely. The charger will keep the battery pack fresh and fully charged.

### Important charging notes

- ◆ Longest life and best performance can be obtained if the battery pack is charged when the air temperature is between 18° - 24°C. DO NOT charge the battery pack in an air temperature below +4.5°C, or above +40.5°C. This is important and will prevent serious damage to the battery pack.
- ◆ The charger and battery pack may become warm to touch while charging. This is a normal condition, and does not indicate a problem. To facilitate the cooling of the battery pack after use, avoid placing the charger or battery pack in a warm environment such as in a metal shed, or an uninsulated trailer.
- ◆ If the battery pack does not charge properly:
  - ◆ Check current at receptacle by plugging in a lamp or other appliance.

- ◆ Check to see if receptacle is connected to a light switch which turns power off when you turn out the lights.
- ◆ Move charger and battery pack to a location where the surrounding air temperature is approximately 18°- 24°C
- ◆ If charging problems persist, take the tool, battery pack, and charger to your local service centre.
- ◆ The battery pack should be recharged when it fails to produce sufficient power on jobs which were easily done previously. DO NOT CONTINUE to use under these conditions. Follow the charging procedure. You may also charge a partially used pack whenever you desire with no adverse affect on the battery pack.
- ◆ Foreign materials of a conductive nature such as, but not limited to, steel wool, aluminium foil, or any buildup of metallic particles should be kept away from charger cavities.

Always unplug the charger from the power supply when there is no battery pack in the cavity. Unplug charger before attempting to clean.

- ◆ Do not freeze or immerse charger in water or any other liquid.

**Warning!** Do not allow any liquid to get inside charger. Never attempt to open the battery pack for any reason. If the plastic housing of the battery pack breaks or cracks, return to a service centre for recycling.

### Installing and removing the battery (Fig. B)

**Warning!** Make certain the vac is switched off before removing or installing battery.

#### To install battery pack

- ◆ Insert battery pack (5) into the vac until an audible click is heard (Figure B). Make sure battery pack is fully seated and fully latched into position.

#### To remove battery pack

- ◆ Depress the battery release button (6) as shown in Figure B and pull battery pack out of the vac.

### Operation

**Warning!** This product is for dry pick-up only.

- ◆ To switch the vac on, slide the on/off switch (1) forward (Fig. C).
- ◆ To switch the vac off, slide the on/off switch (1) backward (Fig. C).

### Mounting accessories (Fig. D)

- ◆ The brush tool (8) has a brush that can be used for dusting and upholstery cleaning.
- ◆ The crevice tool (7) allows for vacuuming in narrow and hard-to-reach places.
- ◆ To attach an accessory, press the accessory into dust bowl (3).

- ◆ Crevice tool can be stored on the unit as shown in (7a).

### Removing dust bowl (Fig. E)

- ◆ Remove the dust bowl (3) by pressing the dust bowl release button (2) and pulling the bowl down and out (Fig. E).

### Removing filters (Fig. F, G and H)

After you have released the bowl from the unit the filter is inside bowl.

- ◆ Remove the filter from the bowl by pulling the filter out.
- ◆ Dispose of the dirt inside.
- ◆ The prefilter (4a) and filter (4) are fitted together.
- ◆ You must twist the prefilter to release from the filter to allow you to clean each part separately as shown in figure H.

### Cleaning the product

Dispose of the dirt inside the dust bowl (3) as shown in figure G. The dust bowl can be rinsed by water. However it needs to be dried afterwards.

**Warning!** Never use this cordless hand vacuum without its filters.

**Note:** The filter is re-usable, do not confuse them with disposable dust bags, and do not throw it away when the product is emptied. We recommend that you replace the filter every 6-9 months.

**Warning!** Maximum dust collection will only be obtained with clean filters and an empty dust bowl. If dust begins to fall back out of the product after it is switched off, this indicates that the bowl is full and requires emptying.

- ◆ Remove the filter (4) and shake or lightly brush any loose dust off the filter.
- ◆ Empty the dust from the bowl and wash if necessary.
- ◆ Wash the filter regularly using warm, soapy water as shown in figure H. Ensure that it is completely dry before using again.

**Note:** The cleaner the filter is, the better the product will perform.

- ◆ The dust bowl can also be washed in warm soapy water. Ensure that it is dry before re-attaching.
- ◆ Never immerse the product in water. A damp cloth and soapy water should be used to clean the exterior of the motor section. Always ensure the product is completely dry before re-use or storing.

### Troubleshooting

Problem	Possible Cause	Possible Solution
Unit will not start.	Battery not installed properly. Battery not charged.	Check battery installation. Check battery charging requirements



Problem	Possible Cause	Possible Solution
Battery will not charge.	Battery not inserted into charger.  Charger not plugged in.          Surrounding air temperature too hot or too cold.	Insert battery into charger until LED appears. Plug charger into a working outlet. Refer to "Important Charging Notes" for more details. Check current at receptacle by plugging in a lamp or other appliance. Check to see if receptacle is connected to a light switch which turns power off when you turn out the lights Move charger and tool to a surrounding air temperature of above 4,5°C or below +40,5°C.

## Technical data

BCHV001	
Voltage ( $V_{dc}$ )	18
Weight (Kg)	1.05

Charger		S010**2400040/ SSC-250040**	S018***1800100/ SSC-200100**
Input Voltage	$V_{AC}$	100 - 240	220 - 240
Output Voltage	$V_{DC}$	8 - 20	8 - 20
Current	mA	400	1000
Approx. charge time	Hours	3 - 5	1 - 5

Battery		BL1518	BL2018	BL4018	BL1518ST
Voltage	$V_{AC}$	18	18	18	18
Capacity	Ah	1.5	2.0	4.0	1.5
Type		Li-Ion	Li-Ion	Li-Ion	Li-Ion

## Maintenance

Your BLACK+DECKER corded/cordless appliance/tool has been designed to operate over a long period of time with a minimum of maintenance. Continuous satisfactory operation depends upon proper tool care and regular cleaning.

**Warning!** Before performing any maintenance on corded/cordless power tools:

- ◆ Switch off and unplug the appliance/tool.
- ◆ Or switch off and remove the battery from the appliance/tool if the appliance/tool has a separate battery pack.
- ◆ Or run the battery down completely if it is integral and then switch off.
- ◆ Unplug the charger before cleaning it. Your charger does not require any maintenance apart from regular cleaning.
- ◆ Regularly clean the ventilation slots in your appliance/tool/charger using a soft brush or dry cloth.
- ◆ Regularly clean the motor housing using a damp cloth. Do not use any abrasive or solvent-based cleaner.

## Protecting the environment



Separate collection. Products and batteries marked with this symbol must not be disposed of with normal household waste.

Products and batteries contain materials that can be recovered or recycled reducing the demand for raw materials. Please recycle electrical products and batteries according to local provisions. Further information is available at [www.2helpU.com](http://www.2helpU.com)

Australia & New Zealand  
Stanley Black & Decker  
[www.blackanddecker.com.au](http://www.blackanddecker.com.au)  
[www.blackanddecker.co.nz](http://www.blackanddecker.co.nz)  
Tel. 1800 338 002 (Aust) or Tel. 0800 339 258 (NZ)  
810 Whitehorse Road Box Hill VIC 3128, Australia





